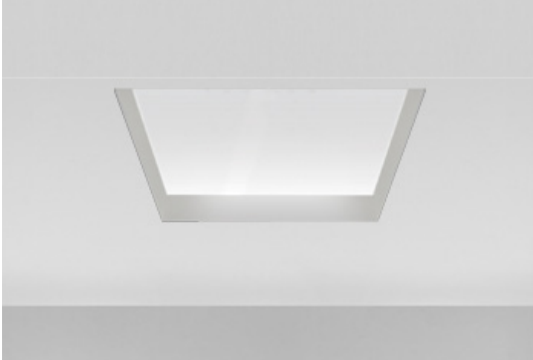


Project:	Type:
Notes:	

**UNA PRO 75 RECESSED SINGLE DIFFUSER (TYPE-IC)**  
Design Carlotta de Bevilacqua

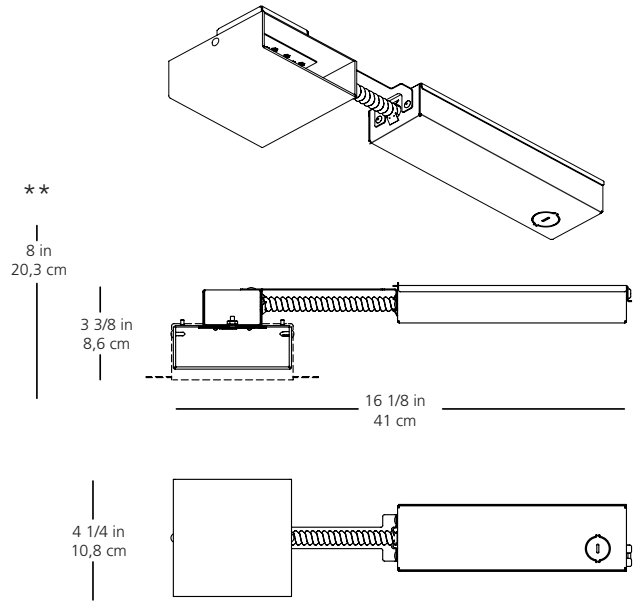


\* Complete installation requires a mounting frame, sold separately (see page 2)  
\*\* 8" clearance requires for installation with 90 degree BX conduit connector.

#CAT	LED COLOR	DRIVER	QUANTITY
USC-DPU75DH1	_____	_____	_____

LED color	<b>30</b> = 3000K, 80CRI
Driver	<b>06</b> = DIM 2 wires - Phase dimming (120V only) <b>08</b> = DIM 0-10V (UNV)

For different CCT, CRI or driver options, please contact your local Artemide Sales Representative



**TECHNICAL DATA:**

Power input : 6W  
Lumen output : 498lm  
Efficacy: 83lm/W

**FEATURES:**

- White polycarbonate diffuser
- The 80 CRI LED board is mounted on a aluminum heatsink.
- The galvanized steel driver housing is mounted on a flexible arm.

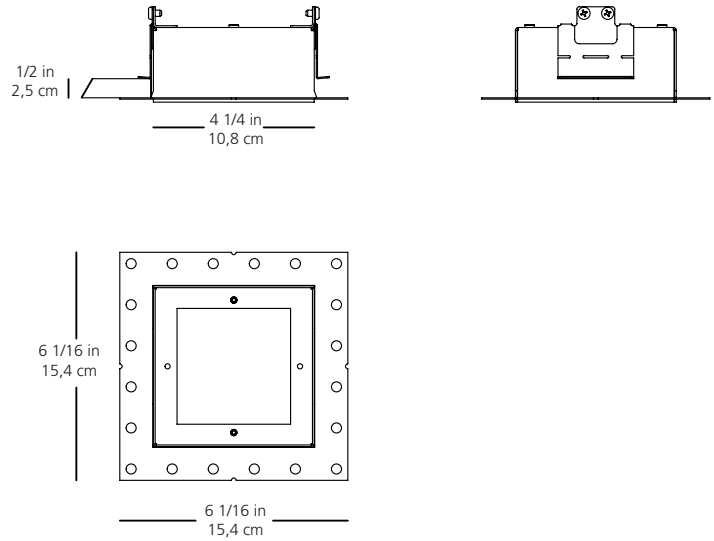
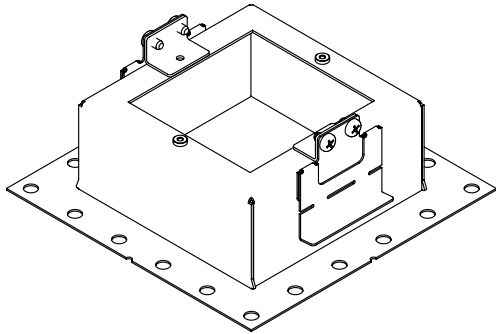
-  suitable for dry location

**PHOTOMETRIC DATA:**

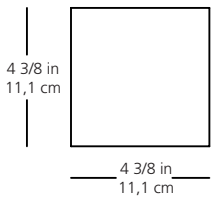
N/A

Project:	Type:
Notes:	

**MOUNTING FRAME - UNA PRO 75 RECESSED SINGLE DIFFUSER (TYPE-IC)**  
Design Carlotta de Bevilacqua



**CEILING CUT-OUT:**



#CAT	FINISH	TEXTURE	QUANTITY
<input type="checkbox"/> USC-DPU75DF1W	WHITE	FINE TEXTURE POWDER COAT	

**FEATURES:**

- Cold rolled steel housing with powder coat finish.
- Alignment details available on each sides of the frame for precise alignment.
- Ceiling mounting brackets hold the frame in place without the need of holding it for final adjustment.
- Ceiling brackets can accept ceiling thickness up to 1" (25mm).
- Note: for other finishes, please contact your local Artemide sale representative.