

Code:	Project:	Type:
	Notes:	

## LoT RGBW wall/ceiling

Design Tapio Rosenius

#CAT	TYPE	CODE	COLOR	MARKET
USC-AA	0	00	—	5

QUANTITY
—

Type	0 = Wall / Ceiling
Series	00 = RGBW DMX 90CRI
color	01 = White powder coat 04 = Black powder coat
Market	5 = cULus



### TECHNICAL DATA

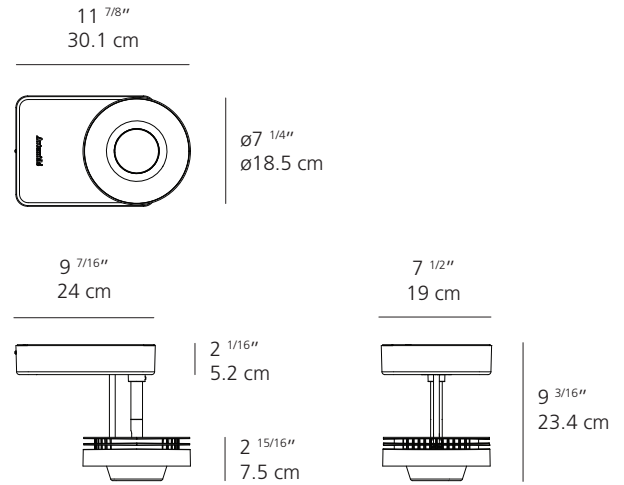
Max power input : 85W , 0.70A (120V) , 0.30A (277V)  
 Continuous power : 60W , 0.50A (120V) , 0.22A (277V)  
 Adjustable Beam angle : 5° to 60° through DMX control  
 Lumen per Beam angle : 64lm to 3820lm

#### Lumen output by total

beam angle reference: (27K)	Efficacy:
5° = 1166.78 lm	5° = 19.45 lm/W
21° = 2090.40 lm	21° = 34.84 lm/W
28° = 2239.59 lm	28° = 37.33 lm/W
34° = 3750.43 lm	34° = 62.51 lm/W
38° = 3788.02 lm	38° = 63.13 lm/W
42° = 3820.89m	42° = 63.68 lm/W
56° = 1987.42lm	56° = 33.12 lm/W

#### Lumen output by color:

	Efficacy:
RED = 224.88 lm	RED = 3.75 lm/W
GREEN = 388.67 lm	GREEN = 6.48 lm/W
BLUE = 64.05 lm	BLUE = 1.07 lm/W
WHITE (30K) = 266.88 lm	WHITE (30K) = 4.45 lm/W



### FEATURES

Construction : Lot beam distribution from 5 degrees to 60 in single unit. Heat sink,arm and driver housing in die-cast aluminium, powder coating in white or black. Lens in transparent polycarbonate.

Weight : 13.2lbs (6kg)

Labels: suitable for damp location **IP20**



Code:	Project:
	Notes:

## LoT DMX CONTROL

DMX is a lighting control protocol which allows users to have ultimate control over their lighting needs

### DMX CONTROL USB & ETHERNET

#CAT	QUANTITY
USC-AD0300001	—



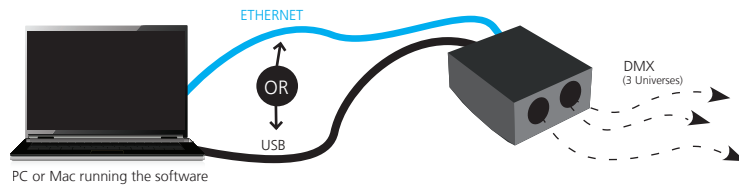
### TECHNICAL DATA

Power input : 5-5.5VDC , 0.6A (power supply included)  
 Output protocol : DMX 512 chanel (x2)  
 Programmability : PC, MAC, Tablet, Smart-phone  
 Connections : Mini USB, XLR3, XLR5, Ethernet, 2x HE10, battery (included)  
 Memory : microSD card 4GB max (inlcuded)  
 Buttons : 2 buttons to change scene + 1 button to change area  
 OS Requirements : Windows 7/8/10, Mac OS X 10.8-10.12  
 Software : ESA Pro or ESA Stand Alone 2 / App Esay remote

- Standard USB & Ethernet DMX
- 3 DMX 512 universes in live mode with a computer.
  - 2 DMX 512 universes in stand alone mode
    - 250 scenes across 5 areas
  - 8 dry contact trigger ports via HE10 connector
  - USB & Ethernet connectivity for programming/control
    - Multy-zone microSD memory
    - Clock and calendar with Sunrise/Sunset triggering
    - Network communication (Control lighting remotly)
  - Windows/Mac software to set dynamic colors/effects
  - iPhone/iPad/Android remote and programming apps

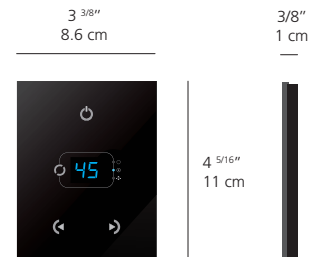
### CONNECTIVITY

Live use with a computer



### DMX CONTROL WALL MOUNTED USB

#CAT	QUANTITY
USC-AD0300002	—



### TECHNICAL DATA

Power input : 5-12VDC (power supply included)  
 Output protocol : DMX 512 chanel  
 Programmability : 32 bit ARM  
 Connections : Micro USB cable (included)  
 Memory : 140  
 Buttons : 4 touch sensitive buttons  
 OS Requirements : Windows XP/VISTA/7/8, Mac OSx 10.6/10.7/10.8  
 Software : ESA2

- Touch-sensitive control keypad USB DMX "Stand alone"
- DMX 512 universes in stand alone mode
    - 99 scenes across 1 area
  - Ready to use (pre-loaded with 8 scenes and 170 RGB fixtures)
  - 8 dry contact trigger ports on PCB & 2 on RJ45
    - USB connectivity for programming/control
  - Windows/Mac software to set dynamic colors/effects