

EVERYTHING 80 SQUARE TRIM

Ernesto Gismondi

SUBMITTAL FORM

#CAT	SERIE	TYPE	SHAPE	MOUNTING	CCT	BEAM	CONE	TRIM
USC-AEVH	80	—	S	TR	—	—	C	—

Serie	80 = Everything 80
Type	A = Adjustable D = Downlight
Mounting	TR = Trim
CCT	27 = 2700K / 90CRI 30 = 3000K / 90CRI 35 = 3500K / 90CRI
Beam angle	SP = 23 deg NF = 28 deg WF = 46 deg
Cone color	C = Chrome reflector
Trim color	W = White S = Silver

QUANTITY



TECHNICAL DATA:

Everything 80 Round / Square	90CRI								
	2700K			3000K			3500K		
Beam angle:	23°	28°	46°	23°	28°	46°	23°	28°	46°
Power consumption:	15W								
Lumen Nominal:	1330lm			1390lm			1415lm		
Lumen Delivered:	1037	975	880	1084	1019	920	1104	1037	937
Efficacy lm/W:	69	65	59	72	68	61	74	69	62
Efficiency (%):	78%	73%	66%	78%	73%	66%	78%	73%	66%


FEATURES:

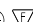
Construction :

Light module: Easy installation with 2 mounting springs. Thermoplastic housing. Provide with quick connector for easy connection with power pack.

Frame: NON-IC remodeler power pack. New construction mounting pan. (see page 2)

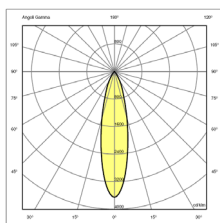
Weight: 0.56lbs (0.25Kg)

Label:  **us** - suitable for dry locations

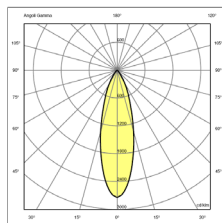
Class: **IP20** 

PHOTOMETRIC DATA:

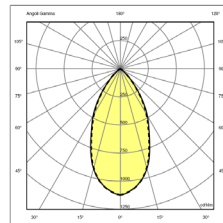
3000K SHOWN DATA



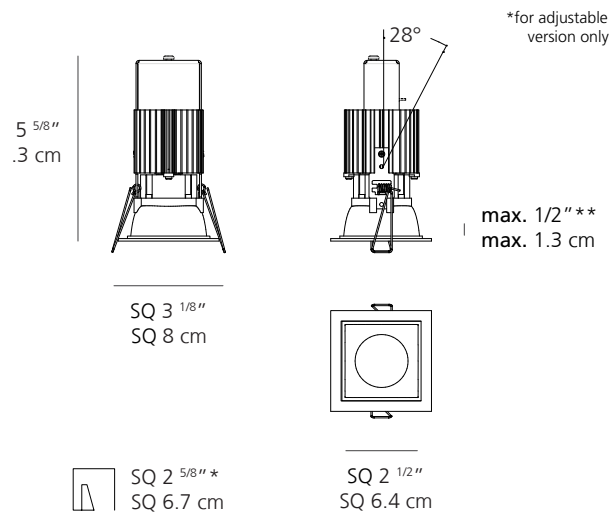
Max Candela: 3651 cd/klm
Everything 80 30K 23° CH
V = 0° H = 0°



Max Candela: 2741 cd/klm
Everything 80 30K 28° CH
V = 0° H = 0°



Max Candela: 1123 cd/klm
Everything 80 30K 46° CH
V = 0° H = 0°



Project Name	
Floorplan Ref. Type	
Quantity	
Notes	
Date	
Signature & Stamp	

EVERYTHING 80 SQUARE INSTALLATION

Ernesto Gismondi

REMODELER POWER PACK:

#CAT	SERIE	MOUNTING	DRIVER	QUANTITY
USC-AEVF	8010	R	—	

Serie	8010 = Everything 80 /105
mounting	R = Remodeler
Driver	06 = Phase dimming (120V only) (277V ON/OFF only) 08 = 0-10V dimming (120/ 277V)

Construction :

Minimum ceiling height 8"
Galvanized steel frame.

NEW CONSTRUCTION PAN:

#CAT	SERIE	SHAPE	MOUNTING	QUANTITY
USC-AEVF	80	S	N	

Serie	80 = Everything 80
Type	S = Square
Mounting	N = New construction pan (NON-IC)

Construction :

Galvanized steel frame.
Alignment details available on each side of the frame for precision.
For wood joist and grid ceilings.
Mounting bar extends from 14 3/8" to 26" (360- 660mm).
Driver not included, combine with power pack.

