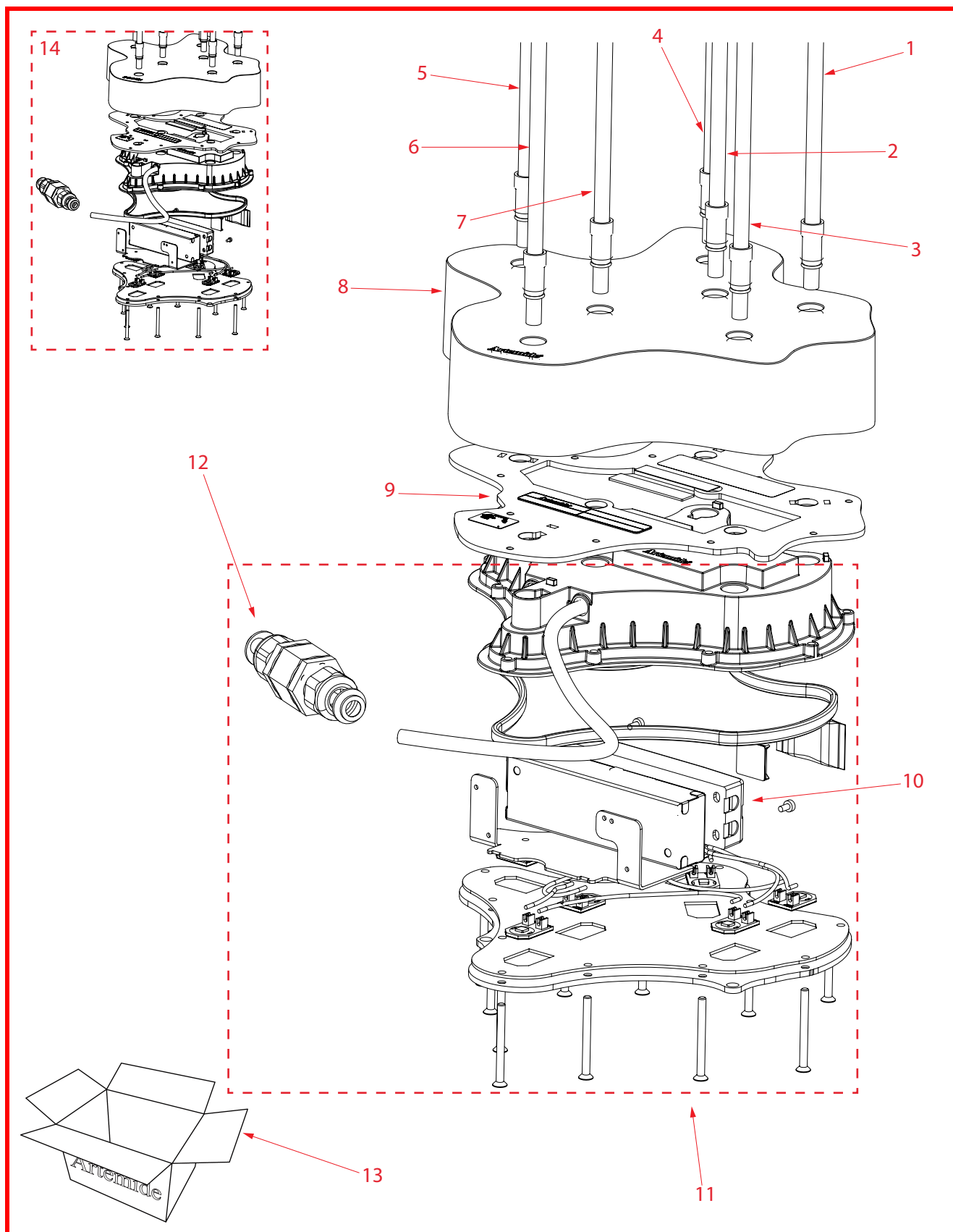


REEDS IP67

design : Klaus Begasse - 2013

codici : T087400 - T087408

Artemide®



Disegno n°: T087400 - T087408

Revisione: Novembre 2014

Artemide S.p.A.
Via Bergamo, 18
20010 Pregnana M.se (MI) - Italy
tel.02/93518.1 - Fax 02/93590254

cod. foglio ricambi Y503002881

REEDS IP67

design : Klaus Begasse - 2013
codici : T087400 - T087408

Artemide®

Pos.	Codice-Code- Art.nr.-Code- Codigo	Note - Notes - Anmerkungen - Notes - Notas	Q.tà-Q.ty- Menge- Q.té-Cant.
1	R304502	REEDS PART - STEM #1 - 37IN-3/8 (950MM)	1
2	R304503	REEDS PART - STEM #2 - 39IN-3/8 (1000MM)	1
3	R304504	REEDS PART - STEM #3 - 41IN-3/8 (1050MM)	1
4	R304505	REEDS PART - STEM #4 - 47IN-1/4 (1200MM)	1
5	R304506	REEDS PART - STEM #5 - 51IN-3/16 (1300MM)	1
6	R304507	REEDS PART - STEM #6 - 54IN-3/4 (1390MM)	1
7	R304508	REEDS PART - STEM #7 - 58IN-5/8 (1490MM)	1
1-7	R304509	REEDS PARTS - COMPLETE STEM KIT IP67	
8	Y201002080	REEDS PART - BASE COVER	1
9	Y102009179		1
10	X206000637	REPLACEMENT INTERNAL DRIVER	1
11	R304428	T087400 ONLY	1
	R304429	T087408 ONLY	1
12	R304430		1
13	Y508000986		1
14	R304432	T087400 ONLY	1
	R304433	T087408 ONLY	1
15			
16			
17			

Disegno n°: T087400 - T087408

Revisione: Novembre 2014

Artemide S.p.A.

Via Bergamo, 18

20010 Pregnana M.se (MI) - Italy

tel.02/93518.1 - Fax 02/93590254