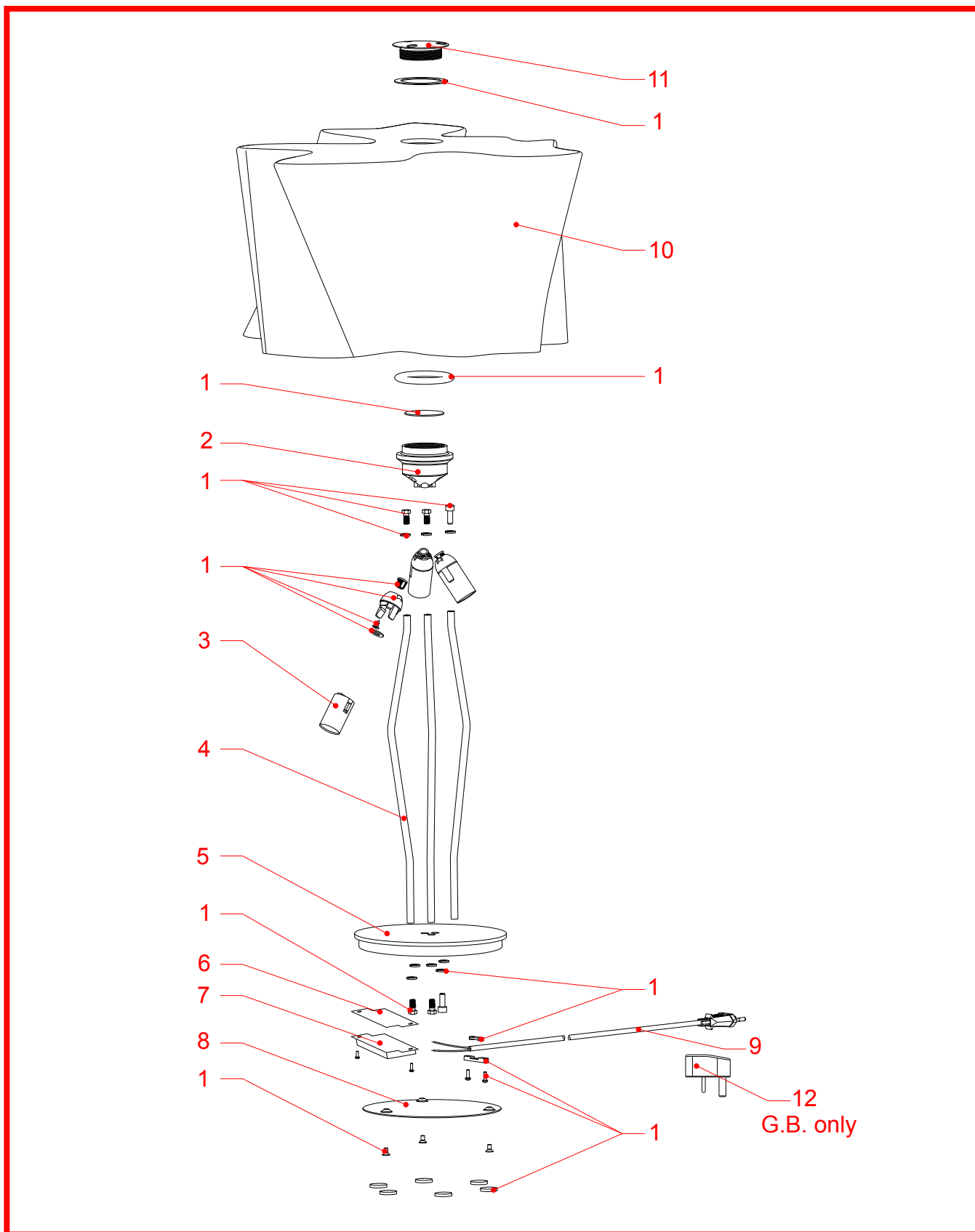


# LOGICO MINI TAVOLO

Artemide®

design : michele de lucchi - gerhard reichert - 2002

codici : 0700020A - 0700024A - 0700005A



dis. 0700

aprile 2009 - rev.0

**Artemide S.p.A.**

Via Bergamo, 18

20010 Pregnana M.se (MI) - Italy

tel.02/93518.1 - Fax 02/93590254

## LOGICO MINI TAVOLO

design : michele de lucchi - gerhard reichert - 2002

codici : 0700020A - 0700024A - 0700005A

Artemide®

Pos.	Codice-Code- Art.nr.-Code- Codigo	Note - Notes - Anmerkungen - Notes - Notas	Q.tà-Q.ty- Menge- Q.té-Cant.
1	R302104	minuteria compl.-compl. hardware-kleinteile kompl.-minuteria compl.-accessorios compl.	1
2	WAC3046		1
3	X112000331	E14 2A/250V T210	8
	X112000334	E12 75W/125V T200 FEP L=120 UL (110V only)	3
4	WAC3049		1
5	WAC3050		1
6	Y401000395		5
7	X204000118	110/240V 250/300W TOUCH	1
8	WAC3051		2
9	X105200069	H03VVF 2X0,75 T/N mt2,2 SP.EUR.2,5A	3
	X105200091	2XSVT18 105°L=3,4 SP.USA (110V only)	3
10	R302060		1
11	WAC3047		1
12	X102200004	adattatore GB - GB adapter - adapter GB - adaptateur GB - adaptador GB (GB only)	1
==	Y508000228	imballo per diffusore - diffusor packaging - Verpackung für Glas - emballage pour diffuseur - embalaje para difusor	1
==	Y508000624	imballo per struttura - structure packaging - Verpackung für Rahmen - emballage pour structure - embalaje para estructura	1