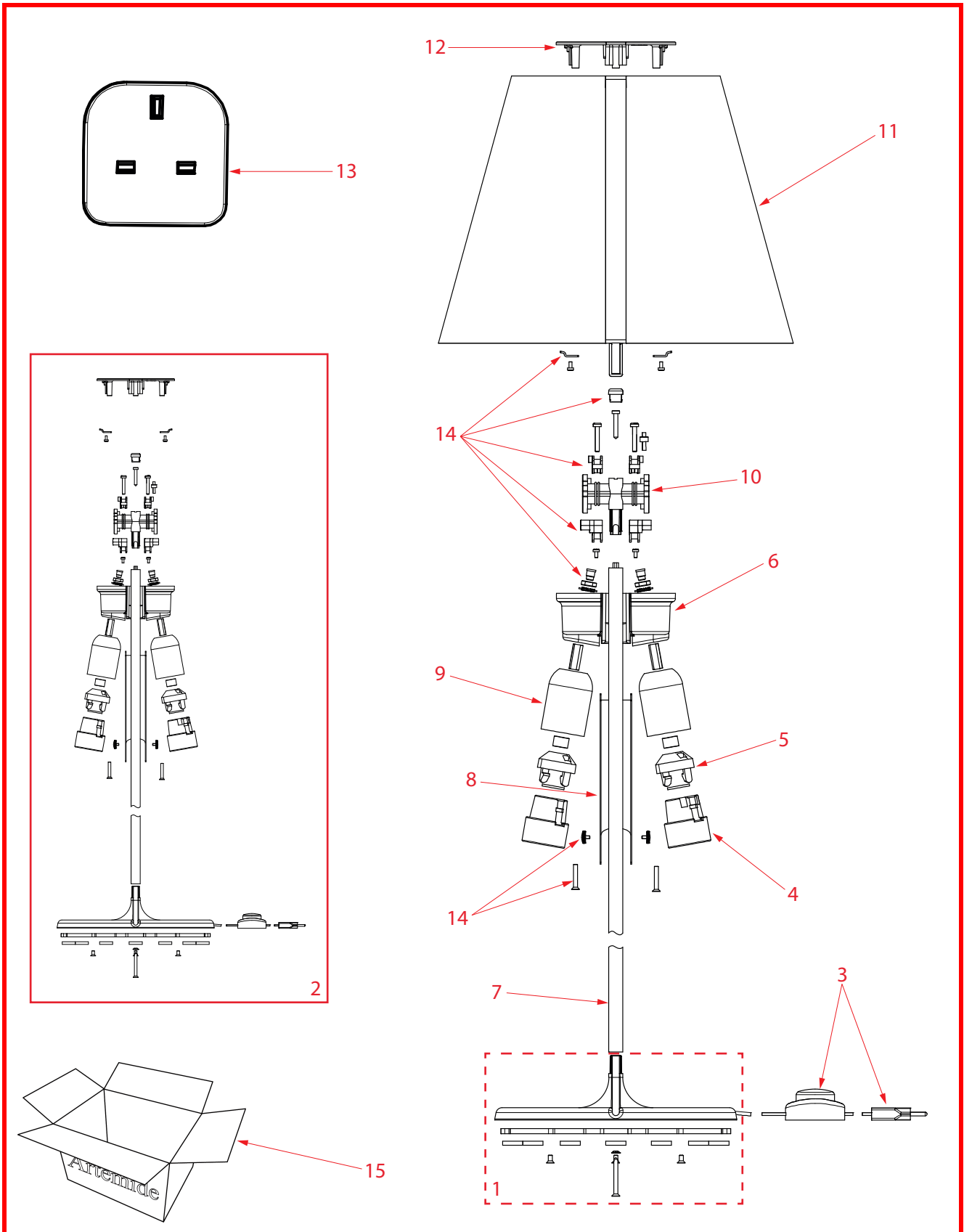


# MELAMPO TERRA GRIGIO ALLUMINIO

design : Adrien Gardère - 2000, 2005

codici : 0123010A - 0123013A - 0123014A - 0123016A - 0123018A

**Artemide®**



Disegno n°: 012300

Revisione: Luglio 2013

**Artemide S.p.A.**

Via Bergamo, 18

20010 Pregnana M.se (MI) - Italy

tel.02/93518.1 - Fax 02/93590254

cod. foglio ricambi Y503002435

## MELAMPO TERRA GRIGIO ALLUMINIO

design : Adrien Gardère - 2000, 2005

codici : 0123010A - 0123013A - 0123014A - 0123016A - 0123018A

**Artemide®**

| Pos. | Codice-Code-<br>Art.nr.-Code-<br>Codigo | Note - Notes - Anmerkungen - Notes - Notas | Q.tà-Q.ty-<br>Menge-<br>Q.té-Cant. |
|------|---|--|------------------------------------|
| 1    | R303905                                 |  | 1                                  |
| 2    | R3032861                                | 0123010A - 0123014A ONLY                   | 1                                  |
|      | R303906                                 | 0123013A ONLY                              | 1                                  |
|      | R303907                                 | 0123016A ONLY                              | 1                                  |
|      | R303908                                 | 0123018A ONLY                              | 1                                  |
| 3    | X105000222                              | 0123010A - 0123014A ONLY                   | 1                                  |
|      | WAP3123                                 | 0123013A ONLY                              | 1                                  |
|      | R303904                                 | 0123016A ONLY                              | 1                                  |
|      | WAP2871                                 | 0123018A ONLY                              | 1                                  |
| 4    | X112000160                              | 0123010A - 0123014A - 0123016A ONLY        | 4                                  |
|      | X112000193                              | 0123013A - 0123018A ONLY                   | 3                                  |
| 5    | X112000161                              |  | 10                                 |
| 6    | WAC5164                                 |  | 1                                  |
| 7    | WAC5160                                 |  | 1                                  |
| 8    | WAC2484                                 |  | 1                                  |
| 9    | WAC4869                                 |  | 3                                  |
| 10   | Y201000877                              |  | 3                                  |
| 11   | R301105                                 |  | 1                                  |
| 12   | WAC4472                                 |  | 1                                  |
| 13   | X102200004                              |  | 1                                  |
| 14   | R303909                                 | 0123010A - 0123014A - 0123016A ONLY        | 1                                  |
|      | R303910                                 | 0123013A - 0123018A ONLY                   |                                    |
| 15   | Y508000566                              |  |                                    |
| 16   |   |  |                                    |
| 17   |   |  |                                    |
| 18   |   |  |                                    |

Disegno n°: 012300

Revisione: Luglio 2013

**Artemide S.p.A.**

Via Bergamo, 18

20010 Pregnana M.se (MI) - Italy

tel.02/93518.1 - Fax 02/93590254