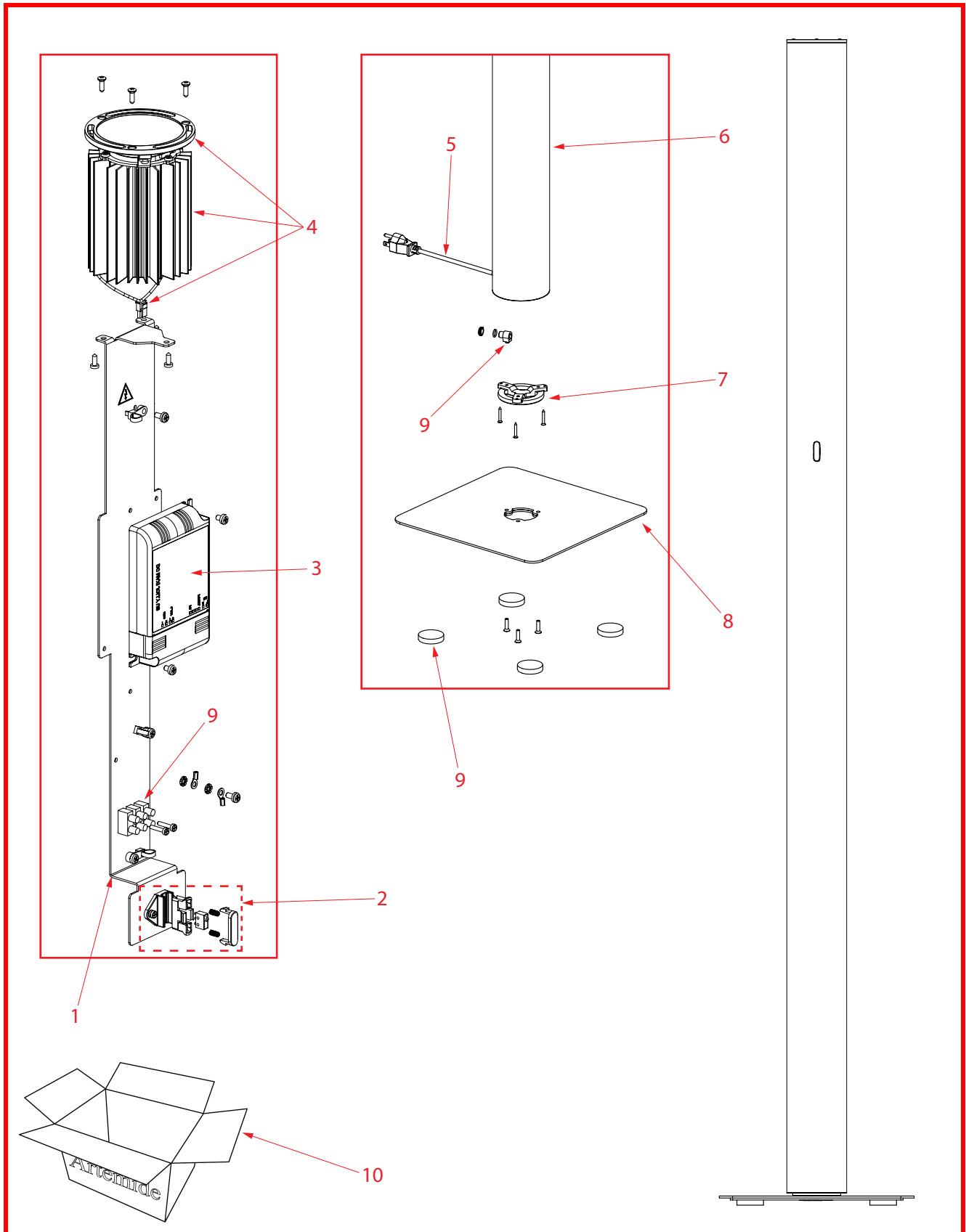


ILIO LED BIANCO

design : Ernesto Gismondi - 2013

codici : 1640020A - 1640022A - 1640024A - 1640025A

Artemide



Disegno n°: 164005

Revisione: Settembre 2014

Artemide S.p.A.

Via Bergamo, 18
20010 Pregnana M.se (MI) - Italy
tel.02/93518.1 - Fax 02/93590254

cod. foglio ricambi Y503002875

ILIO LED BIANCO

design : Ernesto Gismondi - 2013

codici : 1640020A - 1640022A - 1640024A - 1640025A

Artemide®

Pos.	Codice-Code- Art.nr.-Code- Codigo	Note - Notes - Anmerkungen - Notes - Notas	Q.tà-Q.ty- Menge- Q.té-Cant.
1	Y102009591		1
2	R304331		1
3	X206000726		1
4	WAP4247		1
5	X105000278	1640020A - 1640022A - 1640082A ONLY	1
	X105000638	1640025A ONLY	1
6	WAC849906		1
7	WAC8495		1
8	WAP431306	1640020A - 1640022A - 1640082A ONLY	1
	WAP431316	1640025A ONLY	1
9	R304332		1
10	Y508001044		1
11			
12			
13			

Disegno n°: 164005

Revisione: Settembre 2014

Artemide S.p.A.

Via Bergamo, 18

20010 Pregnana M.se (MI) - Italy

tel.02/93518.1 - Fax 02/93590254