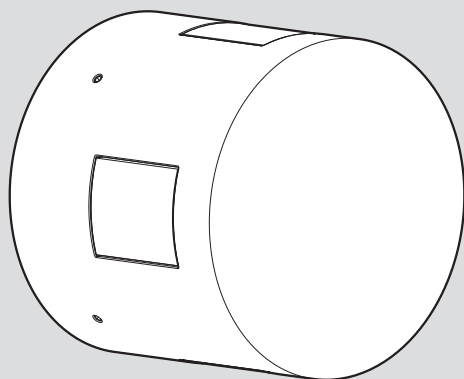
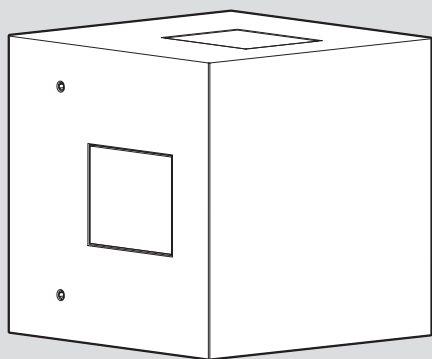


# Artemide®

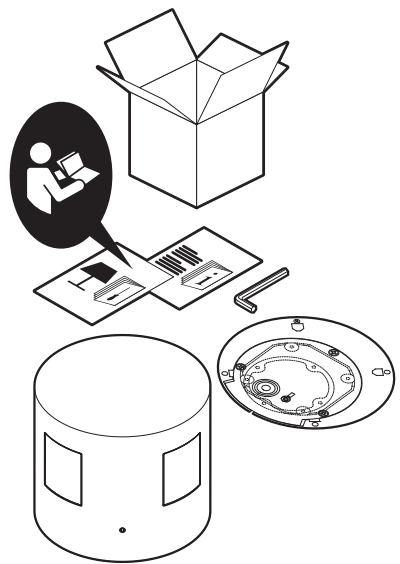
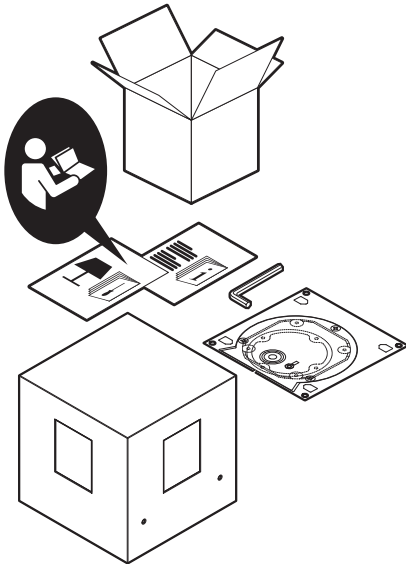
## Effetto

design  
Ernesto Gismondi

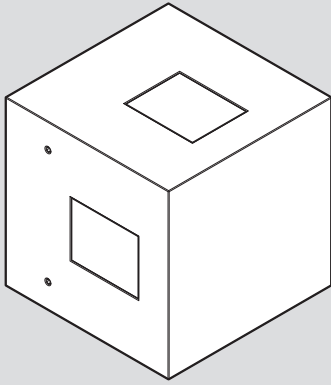




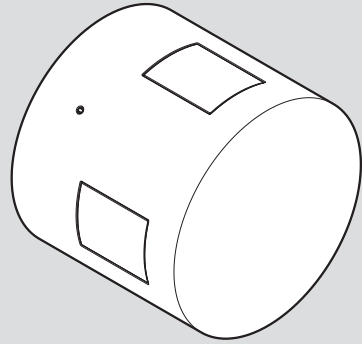
i



**i**



140 x 140 x 140 mm



Ø 160 x 140 mm

2 W

4 W

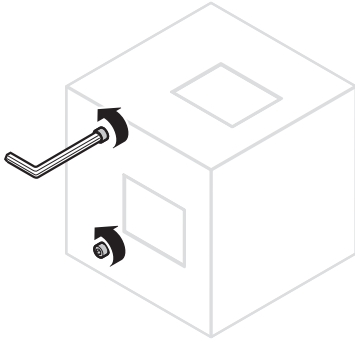
8 W

2 W

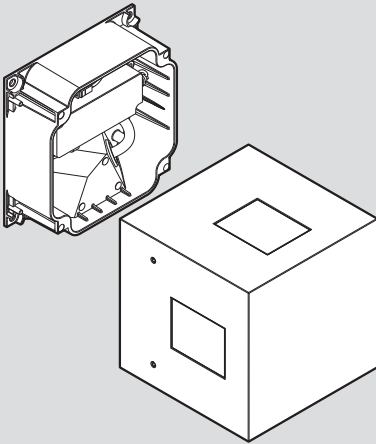
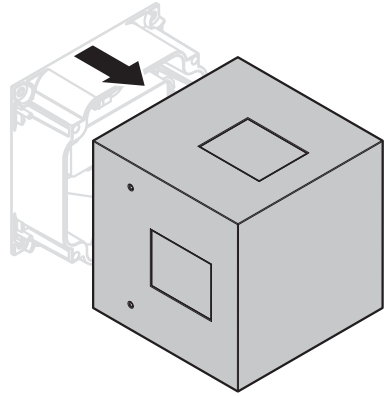
4 W

8 W

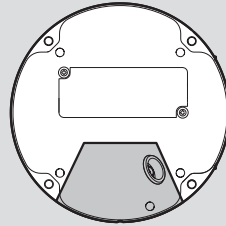
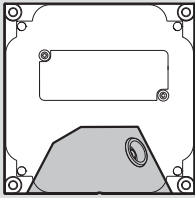
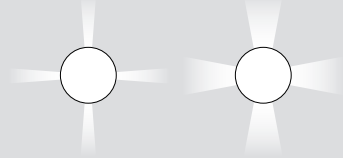
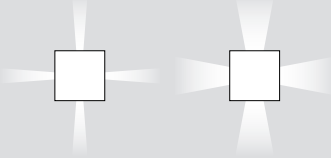
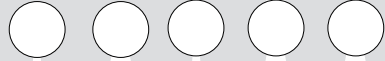
1



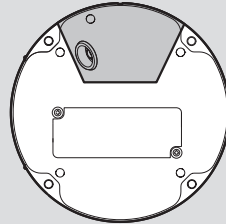
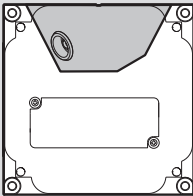
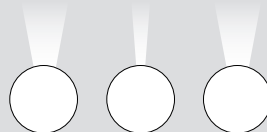
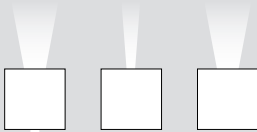
2

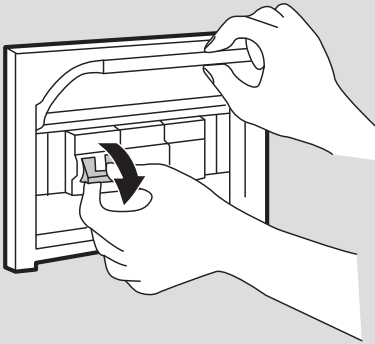


**i**

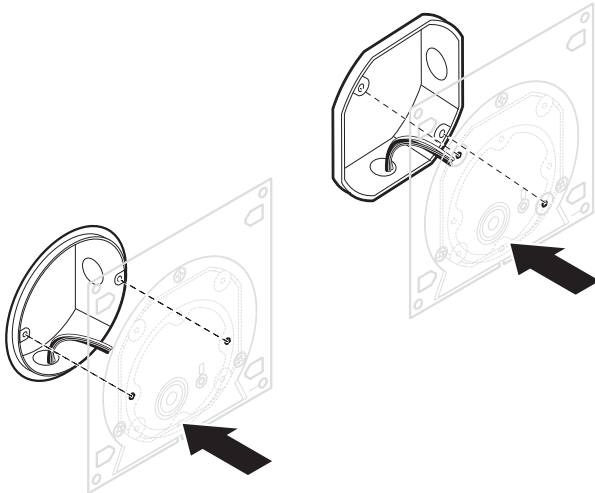


**i**

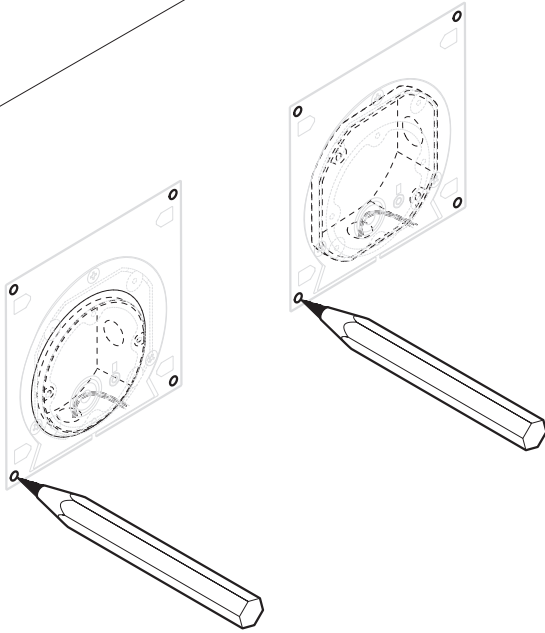




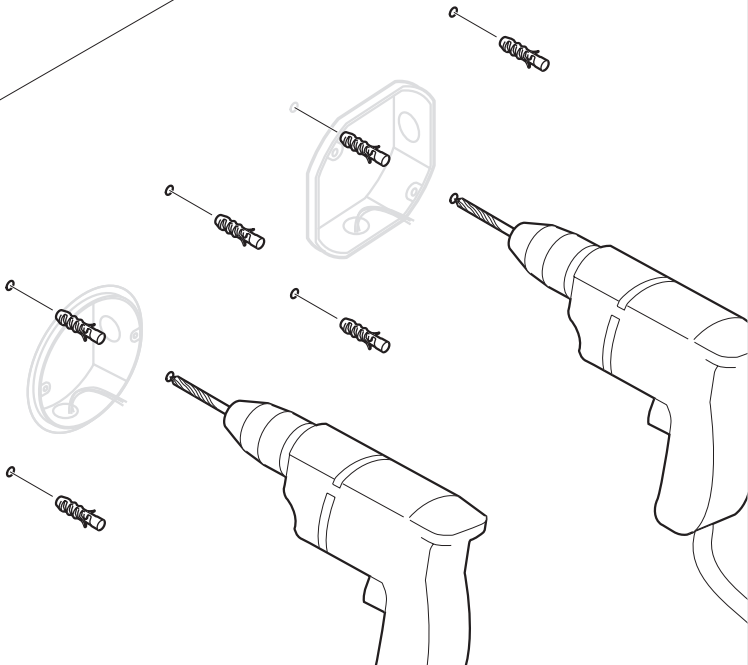
3



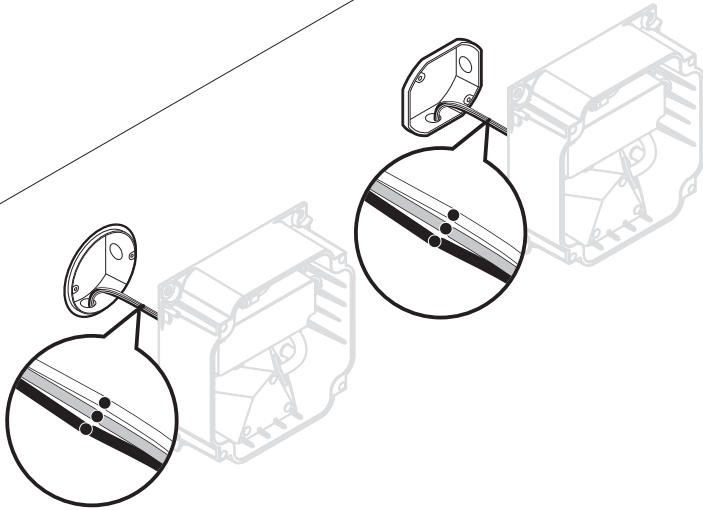
4



5



6

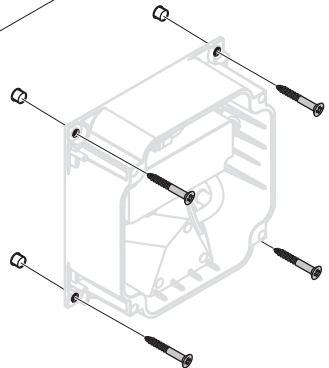


|                    |  |                    |
|--------------------|--|--------------------|
| white/blanc/blanco |  | white/blanc/blanco |
| green/vert/verde   |  | green/vert/verde   |
| black/noir/negro   |  | black/noir/negro   |

7

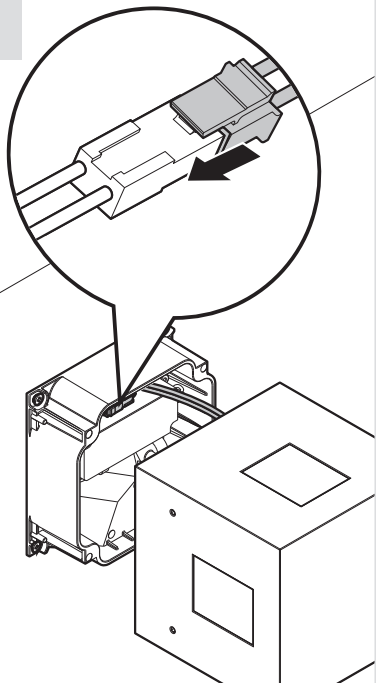


8

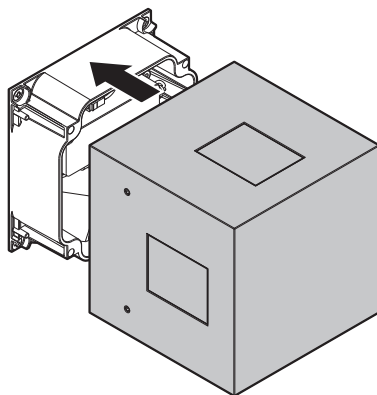




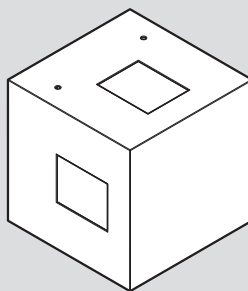
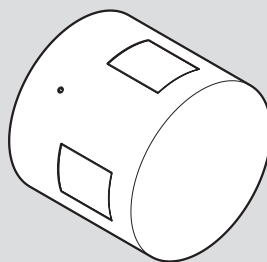
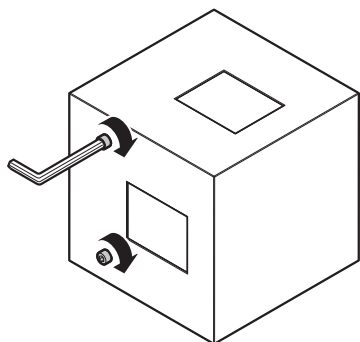
9



10

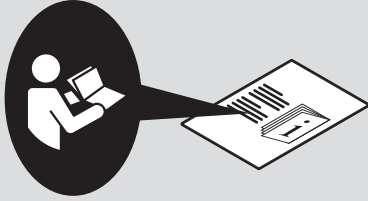


11





i



1





# Artemide®



## **Artemide**

via Bergamo, 18  
20010 Pregnana M.se (MI)  
ITALIA

tel. +39 02 935 181  
fax +39 02 935 90 254  
fax +39 02 935 90 496

[www.artemide.com](http://www.artemide.com)

VAT IT00846890150

## **Artemide Inc.**

1980 New Highway  
Farmingdale NY 11735

Tel. 631 694 9292  
Toll Free 1-877-Art-9111  
Fax 631 694 9275

[www.artemide.us](http://www.artemide.us)

## **Artemide Ltée/Ltd.**

11105 rue Renaude Lapointe  
Montréal, Québec H1J 2T4

Tel. 514 323 6537  
Toll Free 888 777 2783  
Fax 514 323 8864

[www.artemide.ca](http://www.artemide.ca)

cod. Y513000045