

Artemide®

LA LINEA

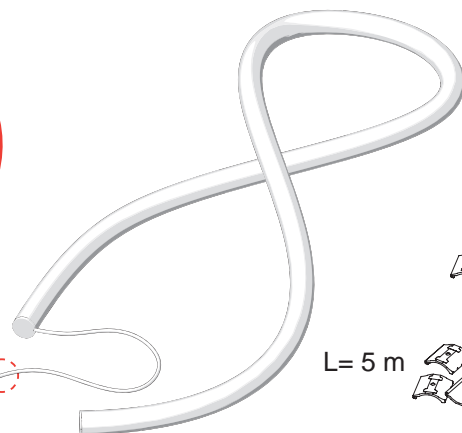
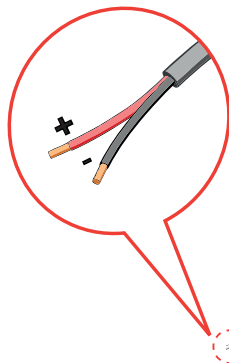
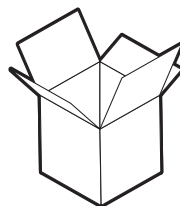
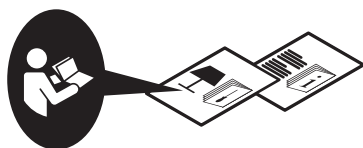
design
BIG





i

		IP65		LED 0
		IK08	CLASS 2	suitable for wet locations convient aux endroits humides Ato para ubicación húmeda



L = 2,5 m




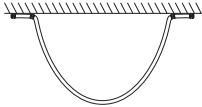
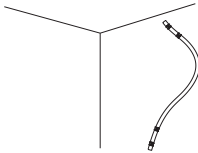
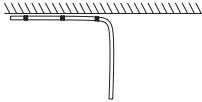
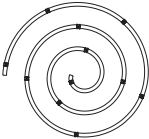
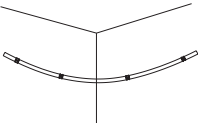
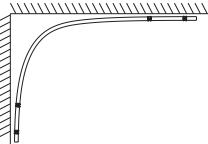
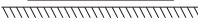
L = 5 m



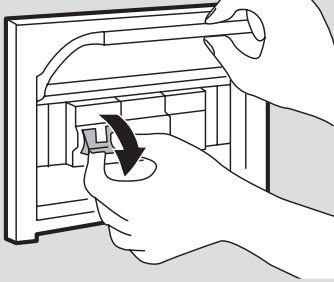
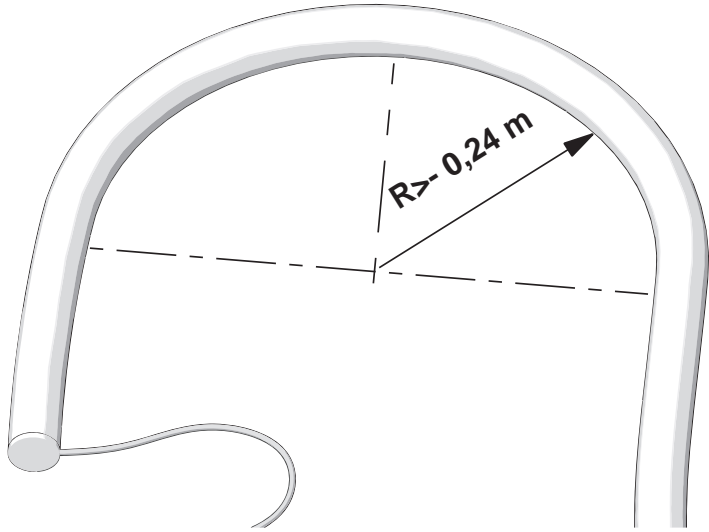


i

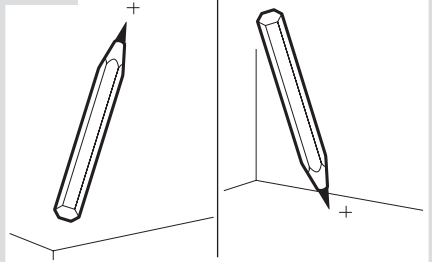
WALL CEILING FLOOR

	✓	✓	—
	X	✓	—
	✓	—	—
	X	X	—
	✓	✓	—
	✓	—	—
	✓	✓	—
	—	—	✓

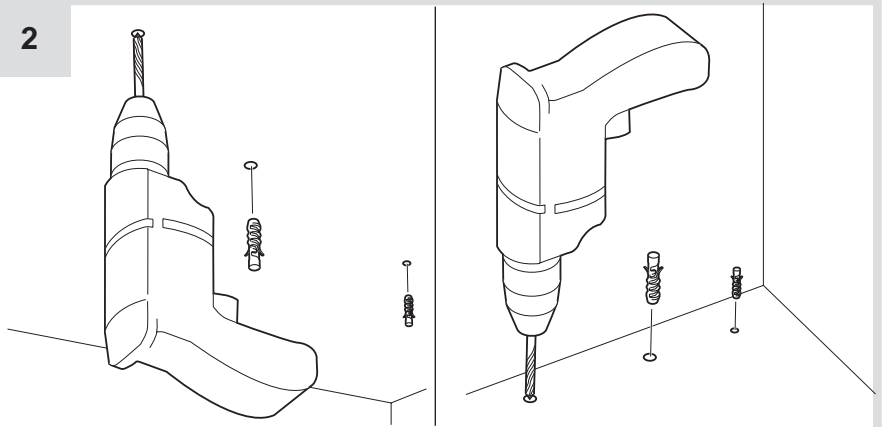
i



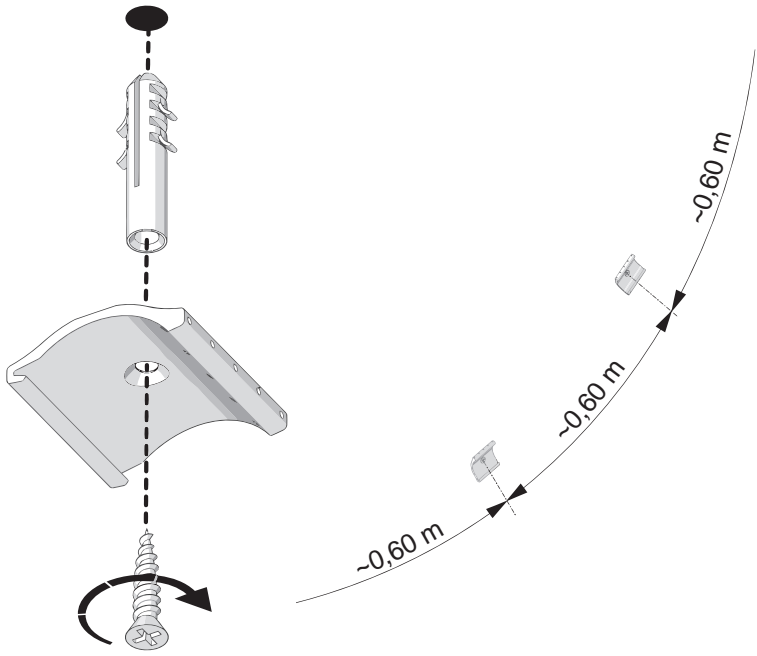
1



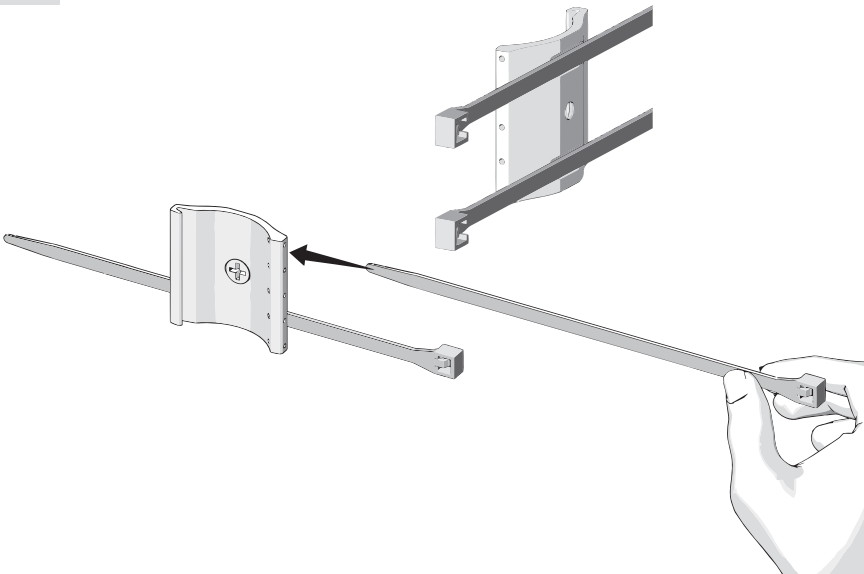
2



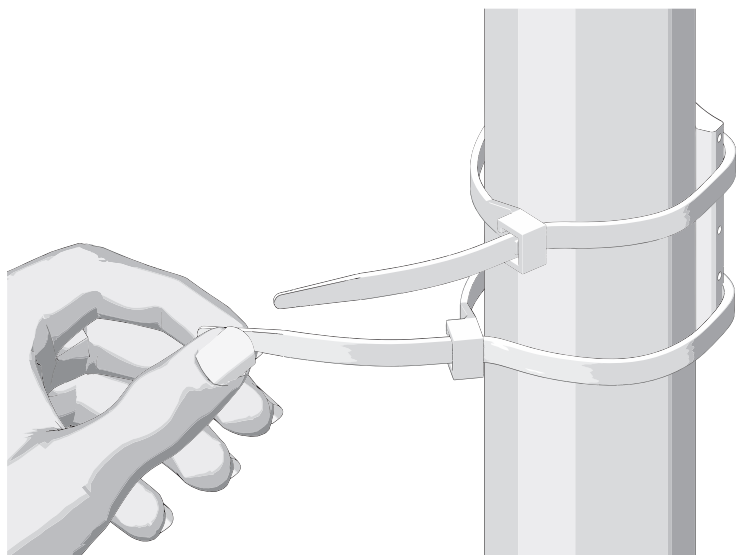
3



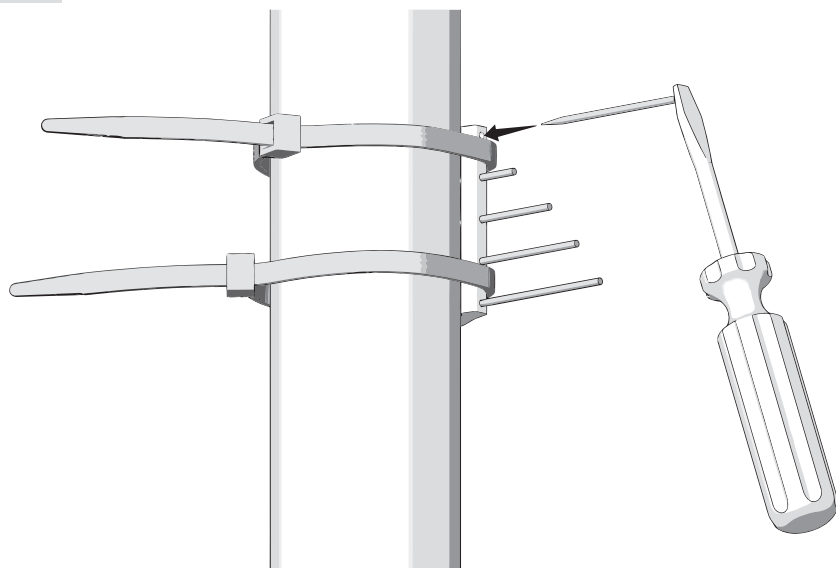
4



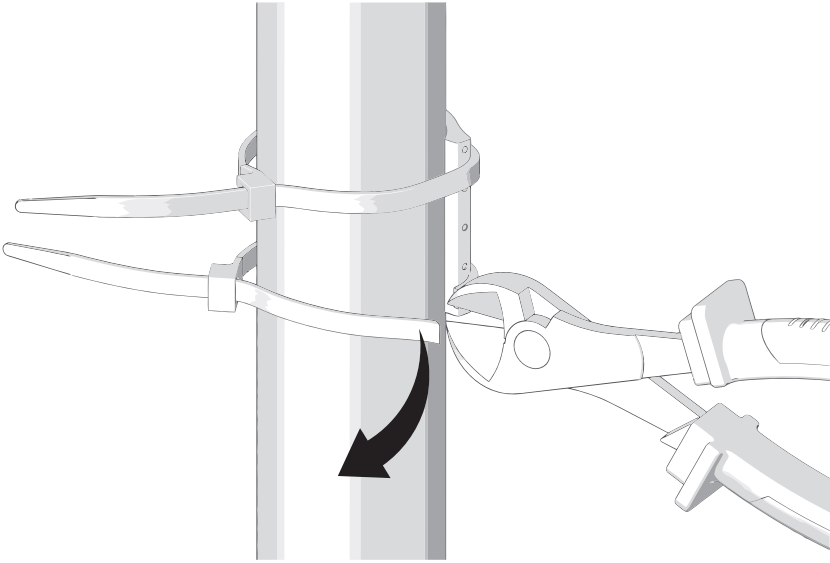
5



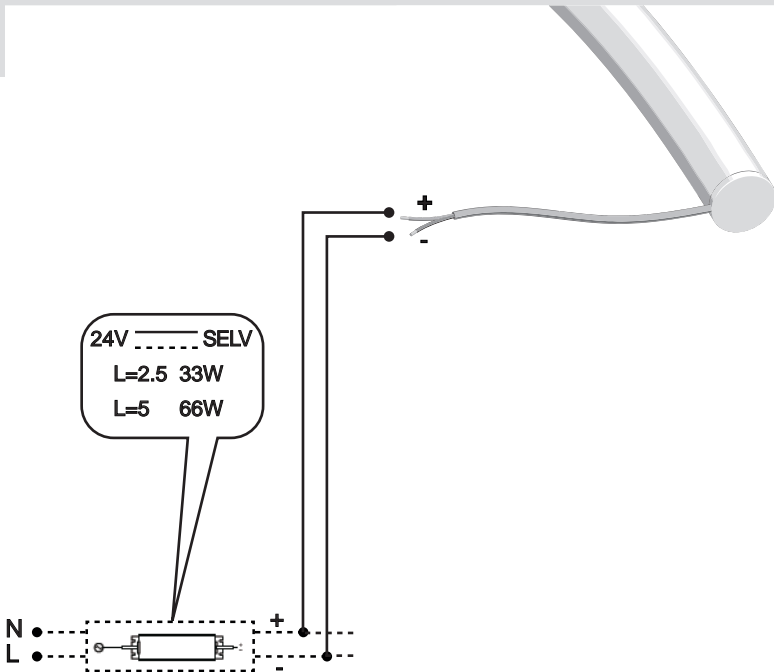
6



7



8



7

For USA/Canada Only

Use only with class 2 power unit

-
Utiliser exclusivement avec class 2
alimentation

-Utilícese únicamente con unidad
de alimentación de clase 2

24V ----- SELV

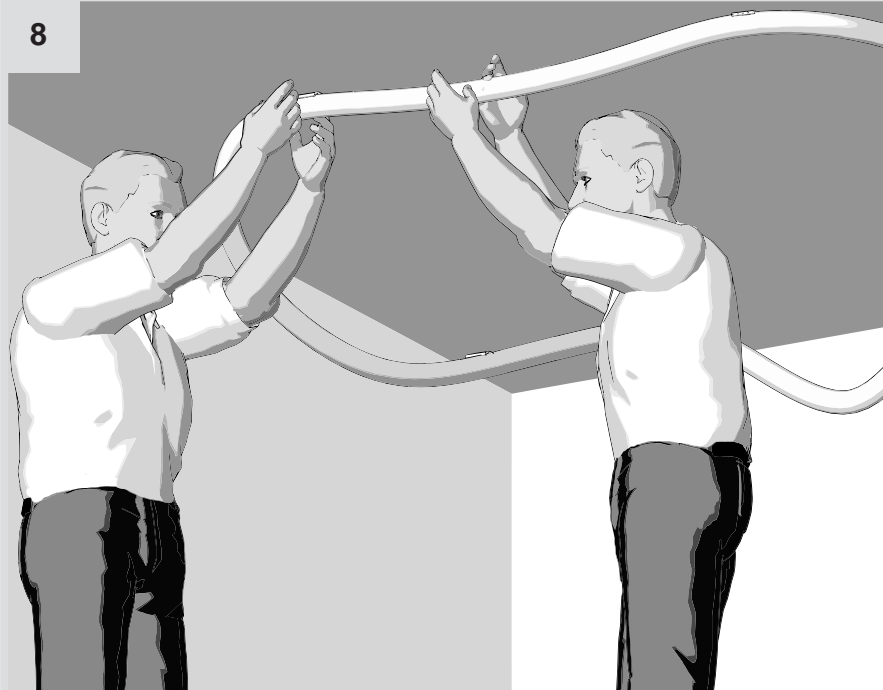
L=2.5 33W

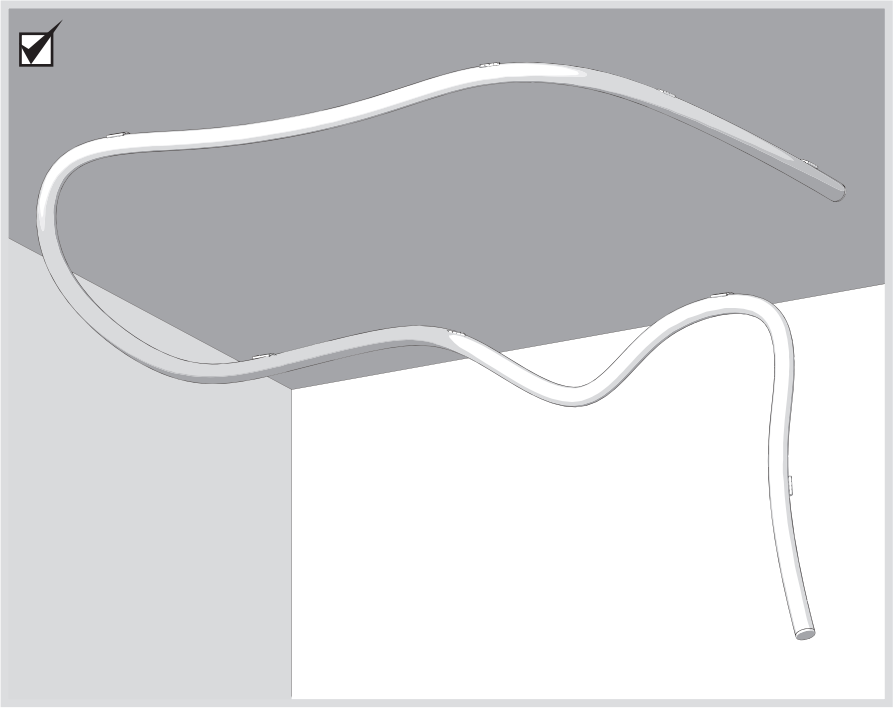
L=5 66W

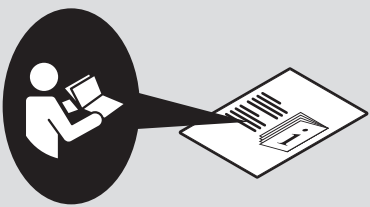
100-277 V

+ ● red/rouge/rojo
- ● black/noir/negro

8







Artemide®



Artemide

via Bergamo, 18
20010 Pregnana M.se (MI)
ITALIA

tel. +39 02 935 181
fax +39 02 935 90 254
fax +39 02 935 90 496

www.artemide.com

VAT IT00846890150

Artemide Inc.

250 Karin Lane
Hicksville, NY 11801

Tel. 631 694 9292
Toll Free 1-877-Art-9111
Fax 631 694 9275

www.artemide.net

Artemide Ltée/Ltd.

11105 rue Renaude Lapointe
Montréal, Québec H1J 2T4

Tel. 514 323 6537
Toll Free 888 777 2783
Fax 514 323 8864

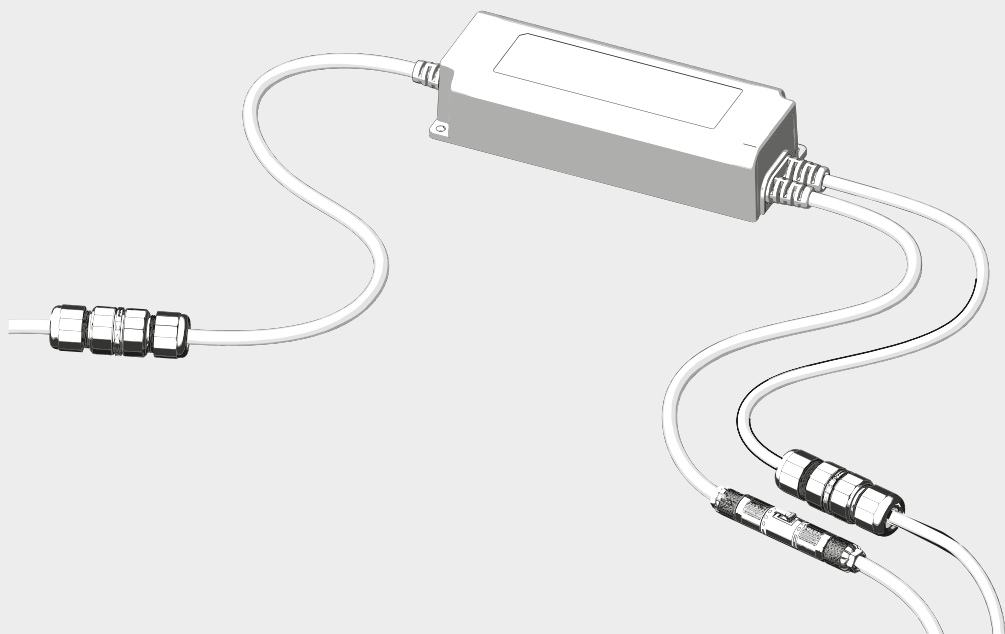
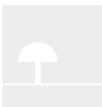
www.artemide.net



cod. Y513001308

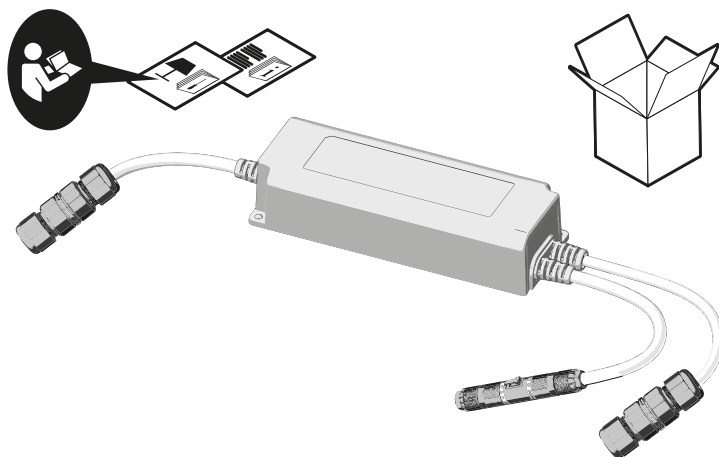
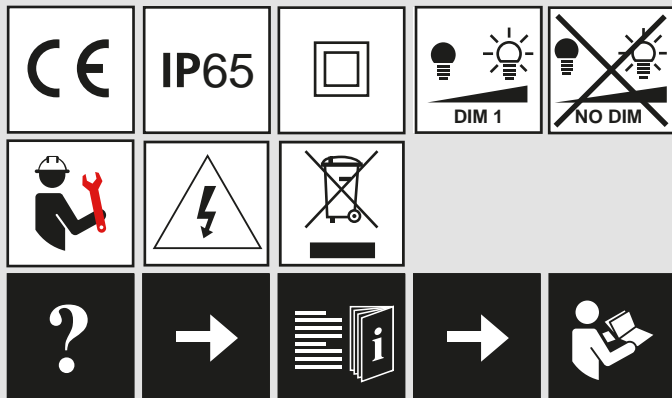
Artemide®

DRIVER 90W CV 110-240VAC 24VDC 0-10V IP65

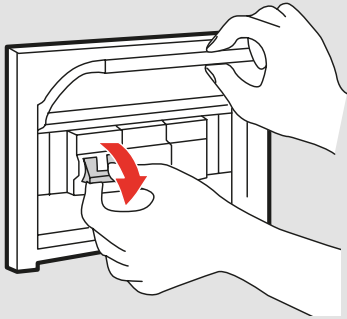




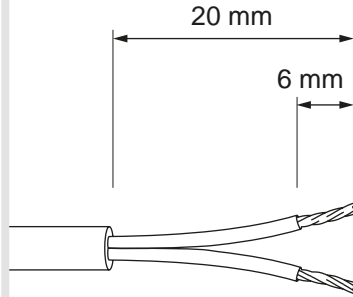
i



CODE	ON/OFF	0/10V	DALI	APP	PUSH	IPXX	V _{in}	V _{out}	P _{nom}	P _{max}
DV1075	✓	✓	X	X	X	IP65	110-240VAC	24VDC	90W	75W

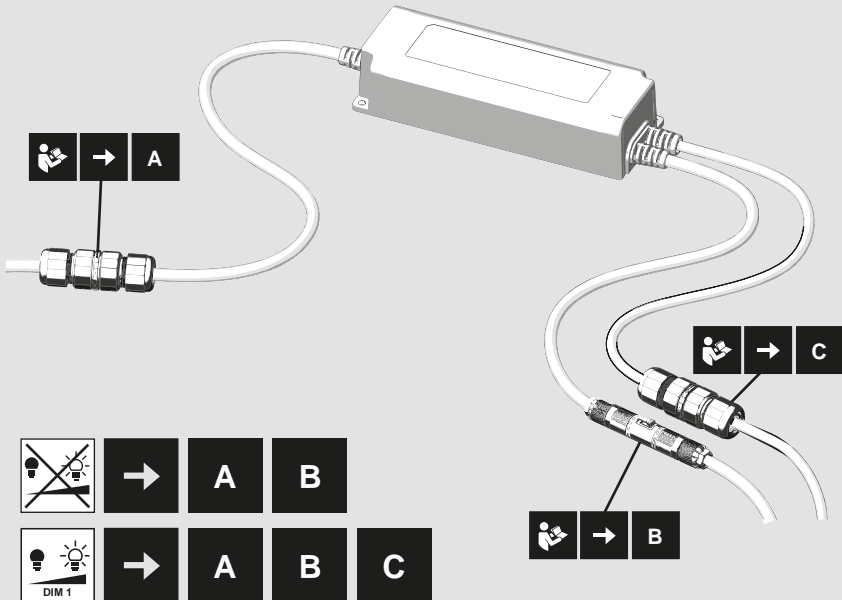


i



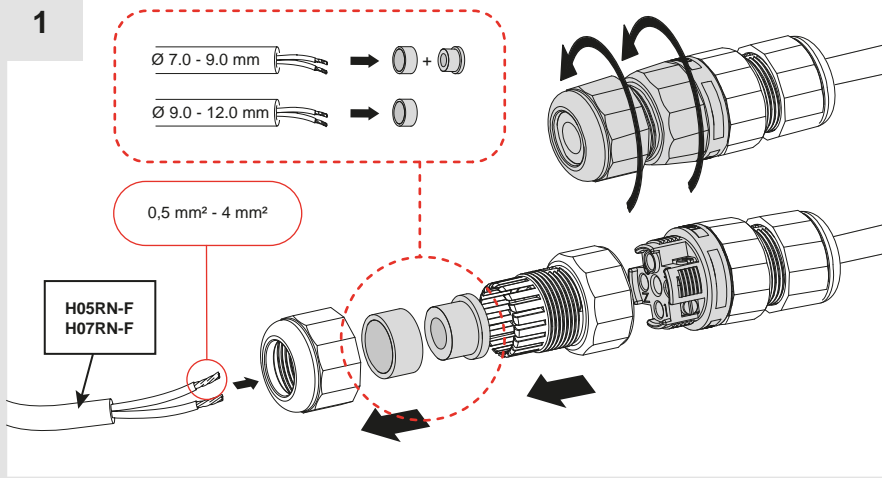
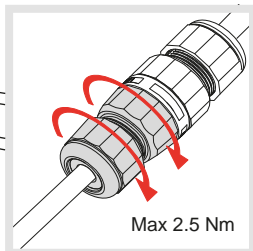
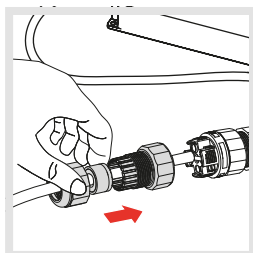
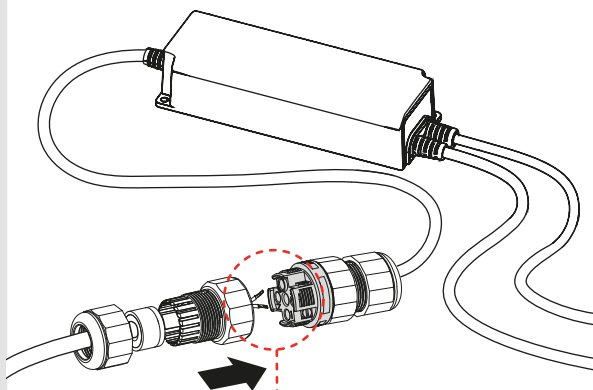
X

i

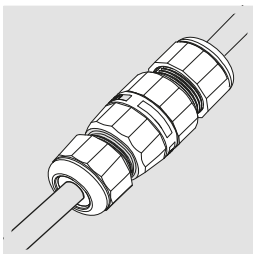


A**1**
 $\varnothing 7.0 - 9.0 \text{ mm}$

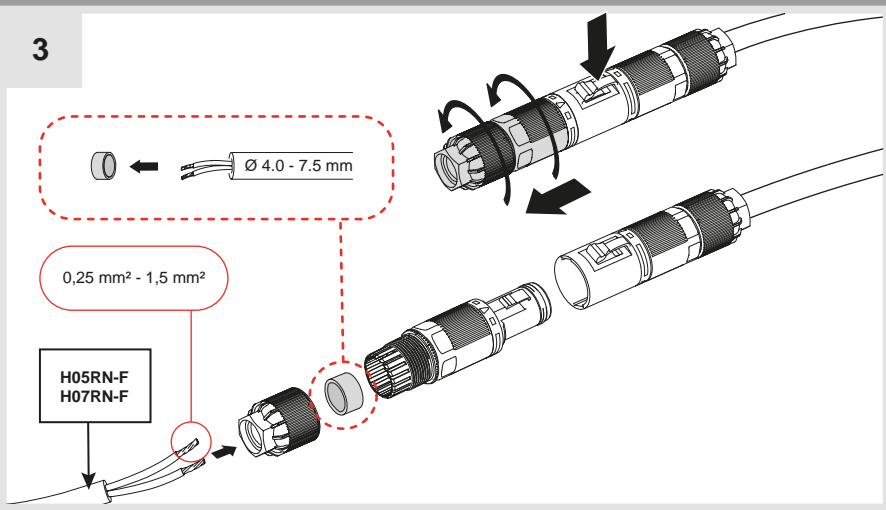
 $\varnothing 9.0 - 12.0 \text{ mm}$

 $0.5 \text{ mm}^2 - 4 \text{ mm}^2$
H05RN-F
H07RN-F
**2**
L **N**

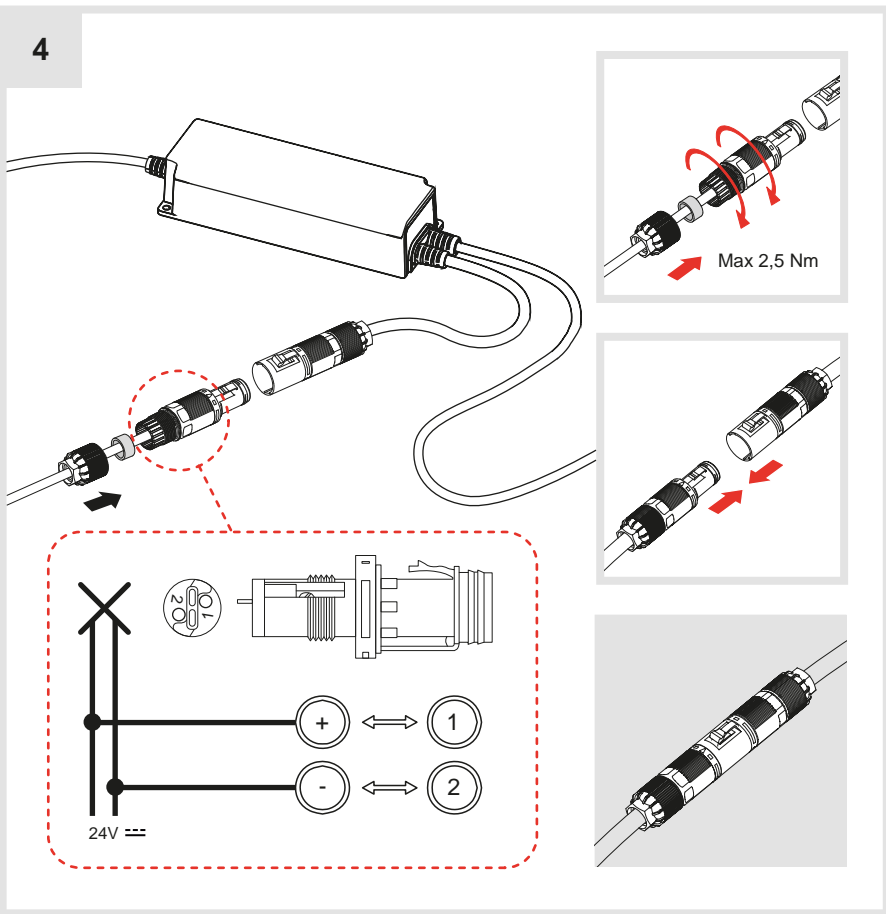
110-240V



3



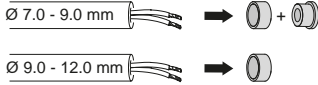
4



C

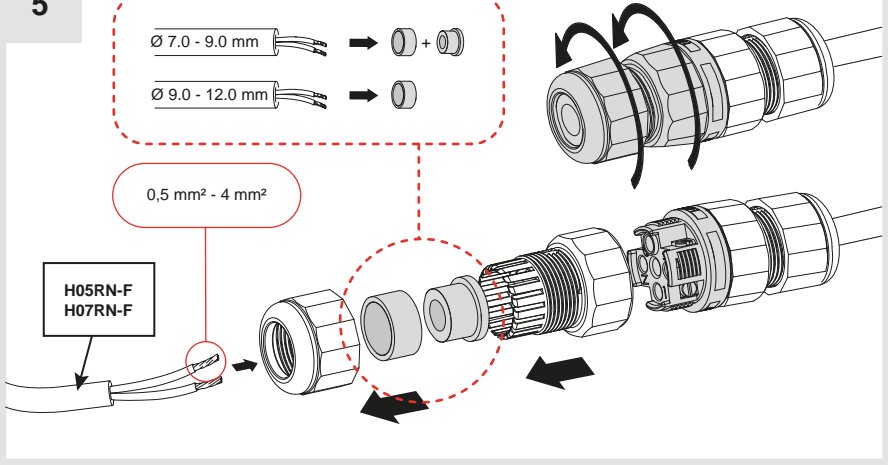


5

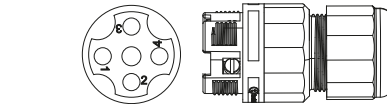
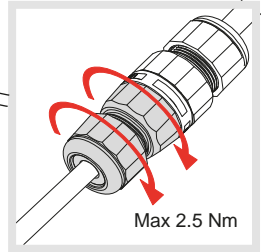
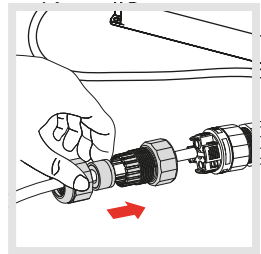
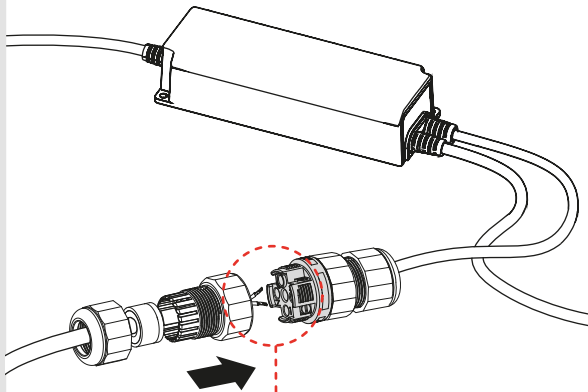


0,5 mm² - 4 mm²

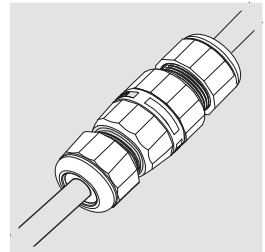
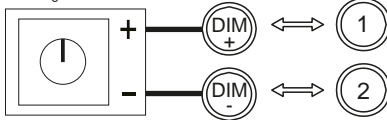
H05RN-F
H07RN-F



6



0-10VDC active or passive
Dimming Control



Artemide®



Artemide

via Bergamo, 18
20010 Pregnana M.se (MI)
ITALIA

tel. +39 02 935 181
fax +39 02 935 90 254
fax +39 02 935 90 496

www.artemide.com

VAT IT00846890150

Artemide Inc.

250 Karin Lane
Hicksville, NY 11801

Tel. 631 694 9292
Toll Free 1-877-Art-9111
Fax 631 694 9275

www.artemide.net

Artemide Ltée/Ltd.

11105 rue Renaude Lapointe
Montréal, Québec H1J 2T4

Tel. 514 323 6537
Toll Free 888 777 2783
Fax 514 323 8864

www.artemide.net

cod. Y513001349A