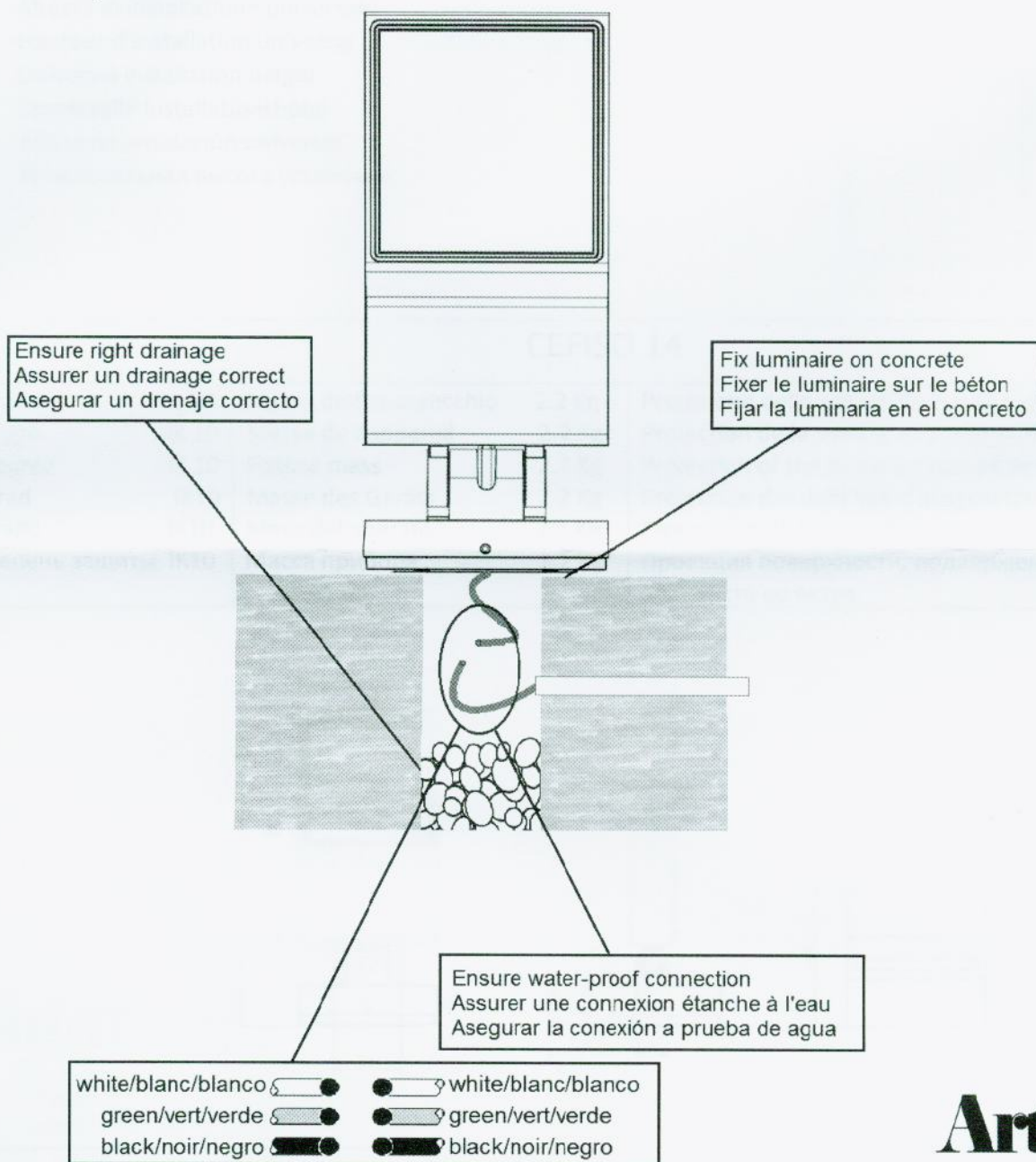


# Artemide®

## CEFISO

Design: Alessandro Pedretti

- Floor installation
- Installation au sol
- Instalación en el suelo



# Artemide®

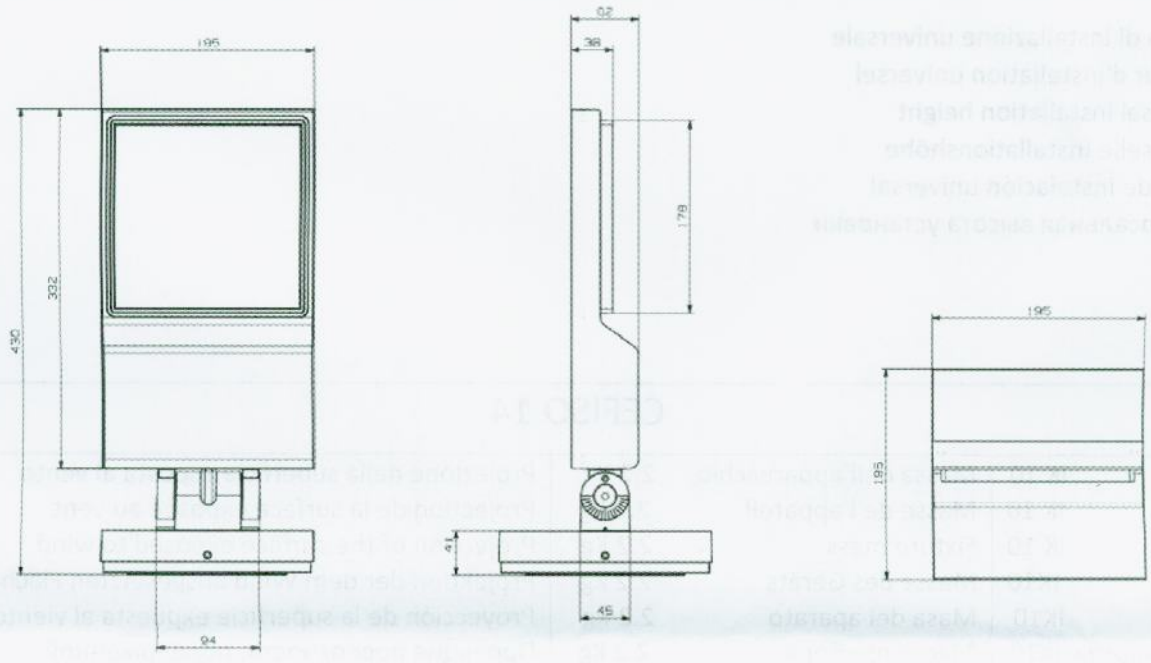
Via Bergamo, 18  
20010 Pregnana Milanese (MI)  
ITALIA

TEL +39 02.935181  
FAX +39 02 93590254  
FAX +39 02 93590496

WWW.ARTEMIDE.COM

## CEFISO 20

|                |       |                        |        |  |        |
|----------------|-------|------------------------|--------|--|--------|
| Grado          | IK 10 | Massa dell'apparecchio | 4.4 Kg | Proiezione della superficie esposta al vento         | 0.08mq |
| Degré          | IK 10 | Masse de l'appareil    | 4.4 Kg | Projection de la surface exposée au vent             | 0.08mq |
| Degree         | IK 10 | Fixture mass           | 4.4 Kg | Projection of the surface exposed to wind            | 0.08mq |
| Grad           | IK10  | Masse des Geräts       | 4.4 Kg | Projektion der dem Wind ausgesetzten Fläche          | 0.08mq |
| Grado          | IK10  | Masa del aparato       | 4.4 Kg | Proyección de la superficie expuesta al viento       | 0.08mq |
| Степень защиты | IK10  | Масса прибора          | 4.4 Kg | Проекция поверхности, подверженной воздействию ветра | 0.08mq |



# Artemide®

Via Bergamo, 18  
20010 Pregnana Milanese (MI)  
ITALIA

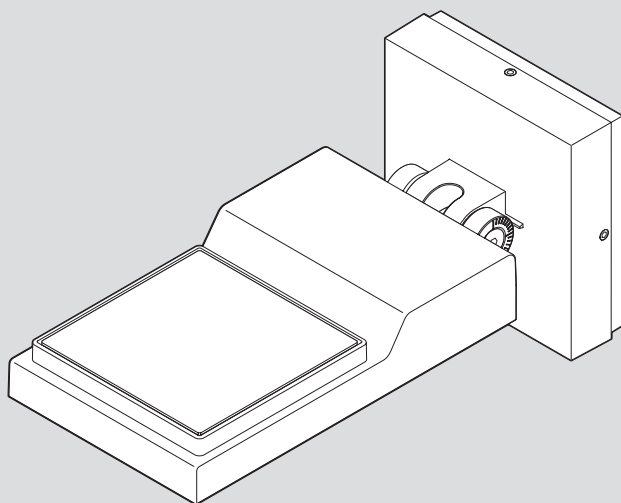
TEL +39 02.935181  
FAX +39 02 93590254  
FAX +39 02 93590496

WWW.ARTEMIDE.COM  
VAT IT00846890150

# Artemide®

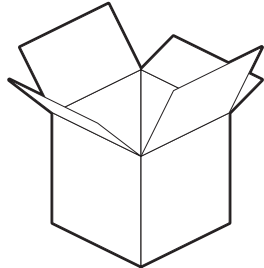
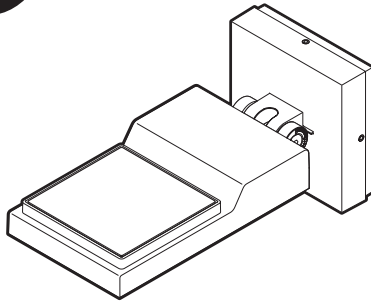
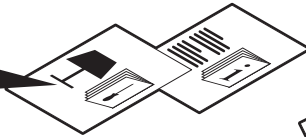
## Cefiso 20

design  
Alessandro Pedretti

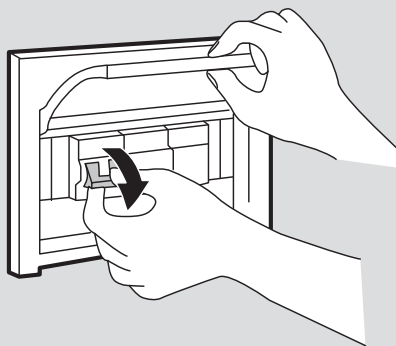
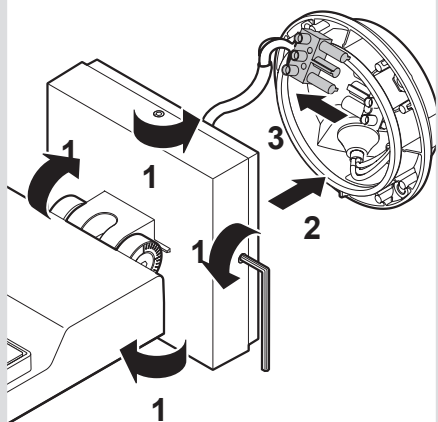




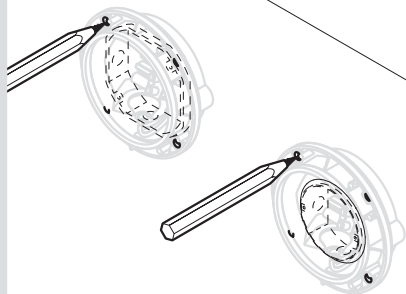
i



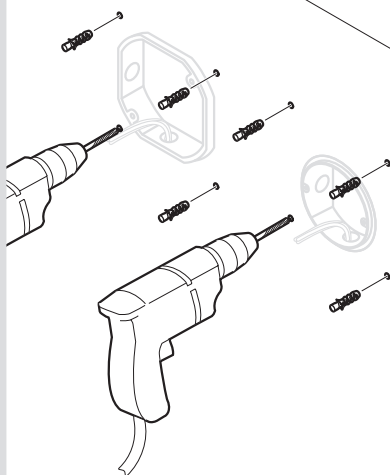
1



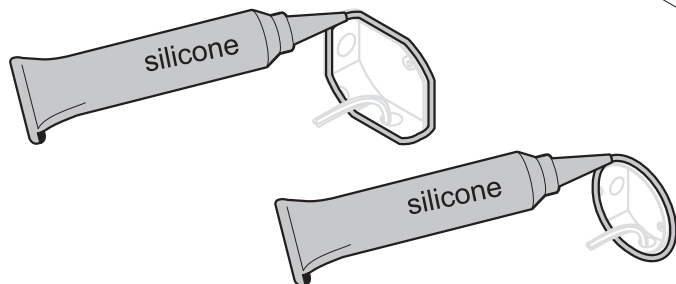
2



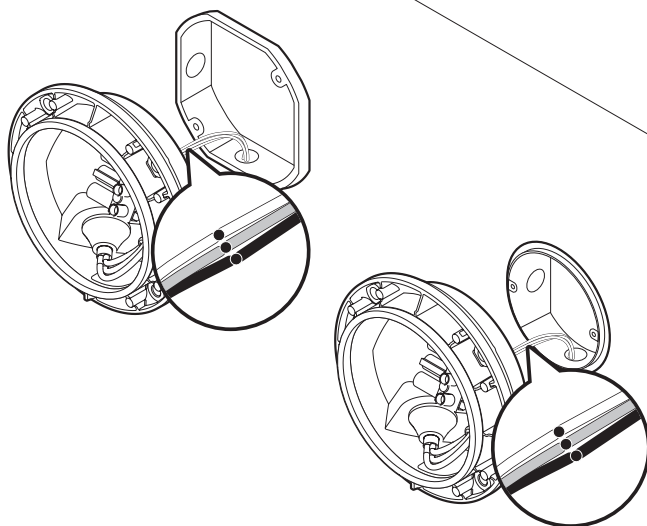
3



4

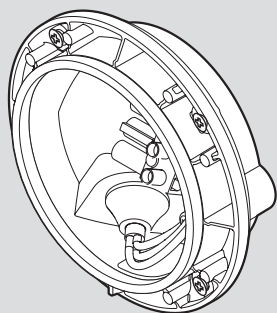
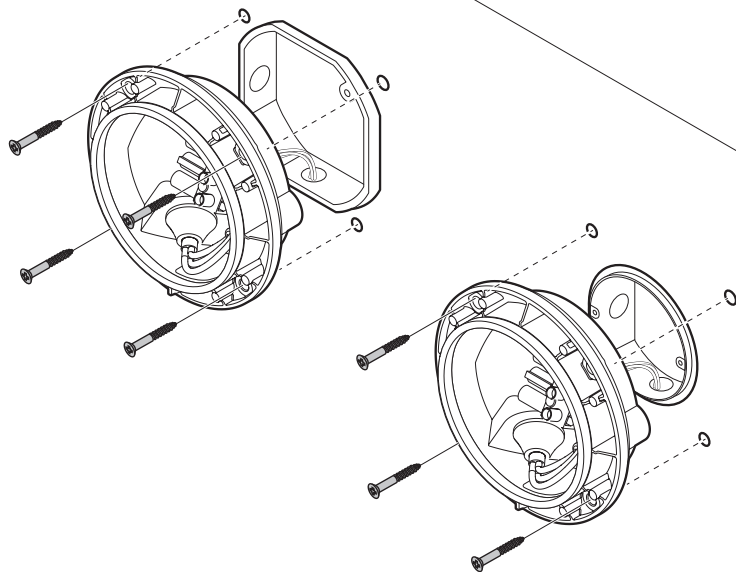


5

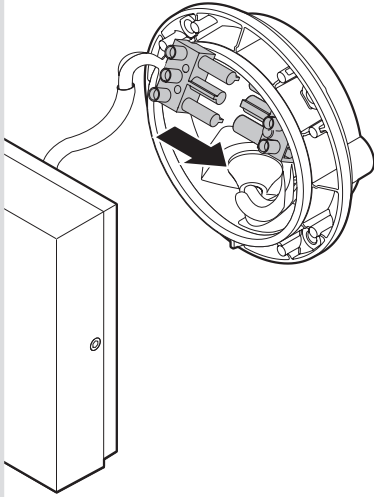


|                    |  |                    |
|--------------------|--|--------------------|
| white/blanc/blanco |  | white/blanc/blanco |
| green/vert/verde   |  | green/vert/verde   |
| black/noir/negro   |  | black/noir/negro   |

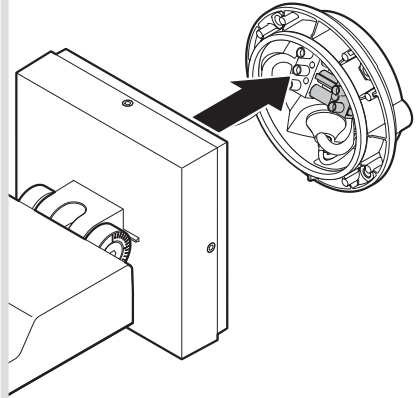
6



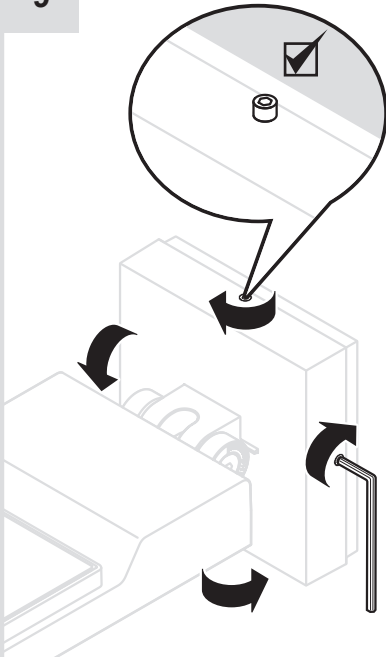
7



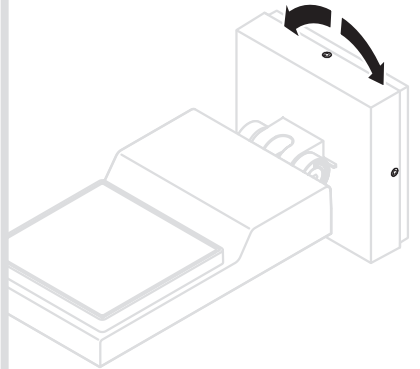
8



9

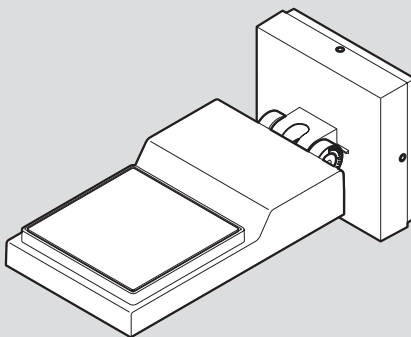
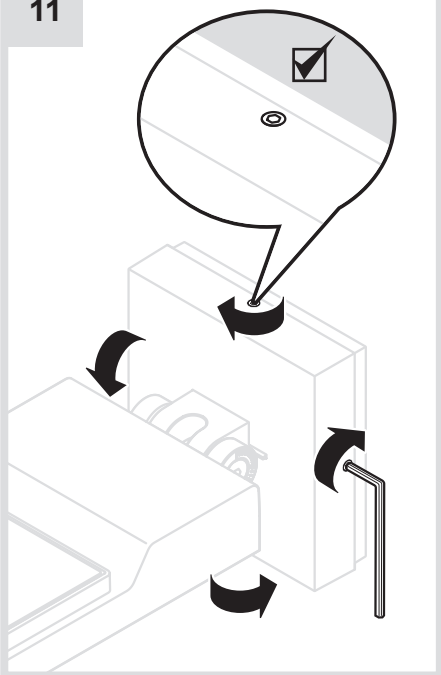


10

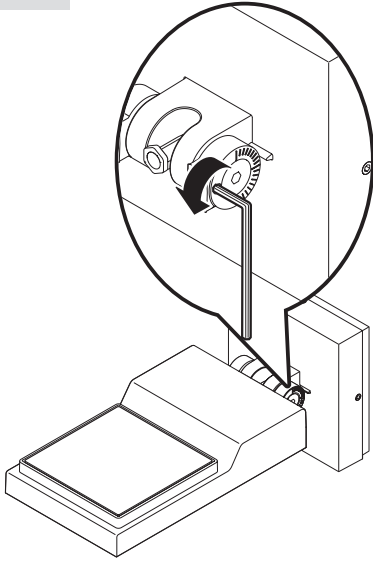




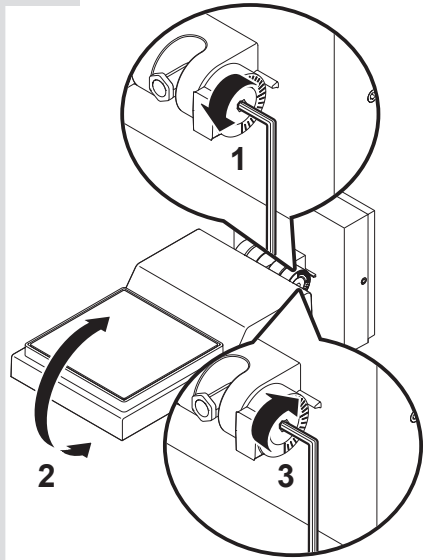
11



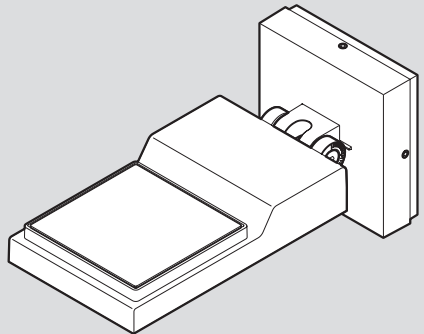
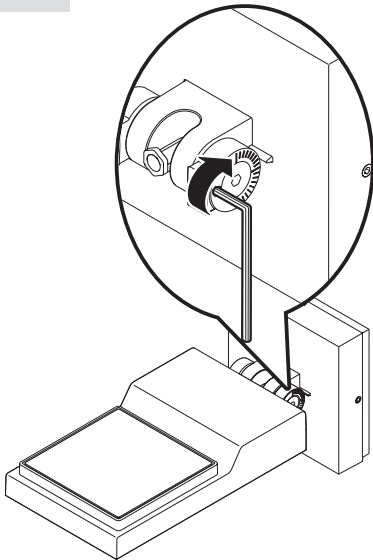
12



13



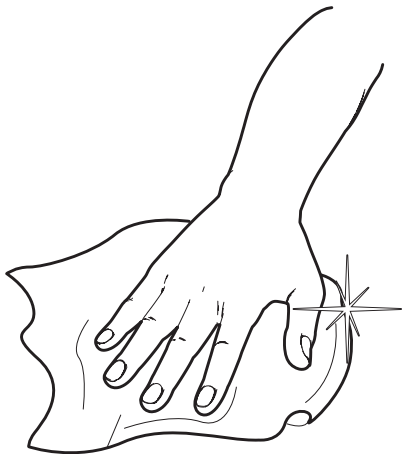
14

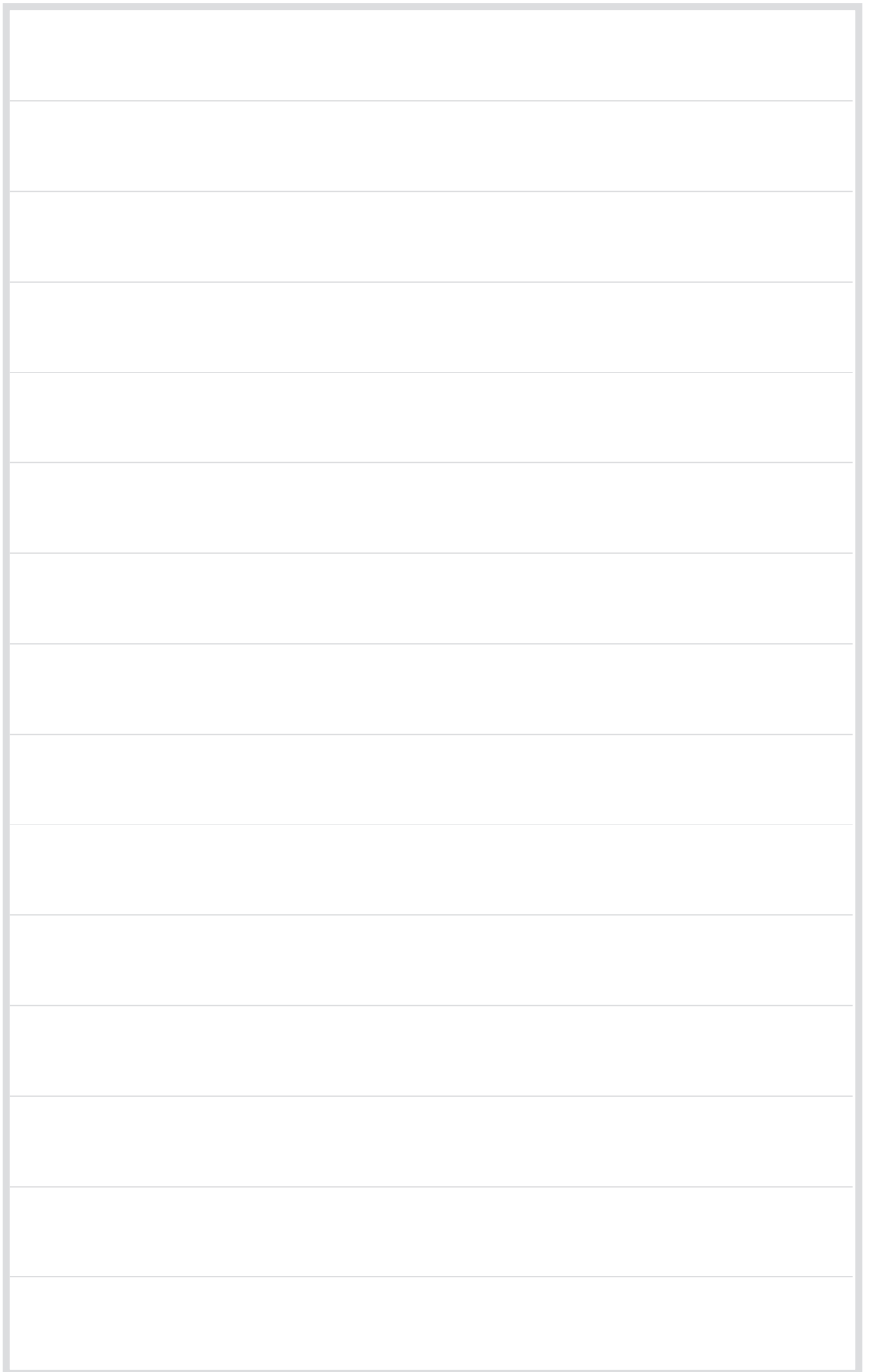


i



1







# Artemide®



## **Artemide**

via Bergamo, 18  
20010 Pregnana M.se (MI)  
ITALIA

tel. +39 02 935 181  
fax +39 02 935 90 254  
fax +39 02 935 90 496

[www.artemide.com](http://www.artemide.com)

VAT IT00846890150

## **Artemide Inc.**

1980 New Highway  
Farmingdale NY 11735

Tel. 631 694 9292  
Toll Free 1-877-Art-9111  
Fax 631 694 9275

[www.artemide.us](http://www.artemide.us)

## **Artemide Ltée/Ltd.**

11105 rue Renaude Lapointe  
Montréal, Québec H1J 2T4

Tel. 514 323 6537  
Toll Free 888 777 2783  
Fax 514 323 8864

[www.artemide.ca](http://www.artemide.ca)

cod. Y513000084