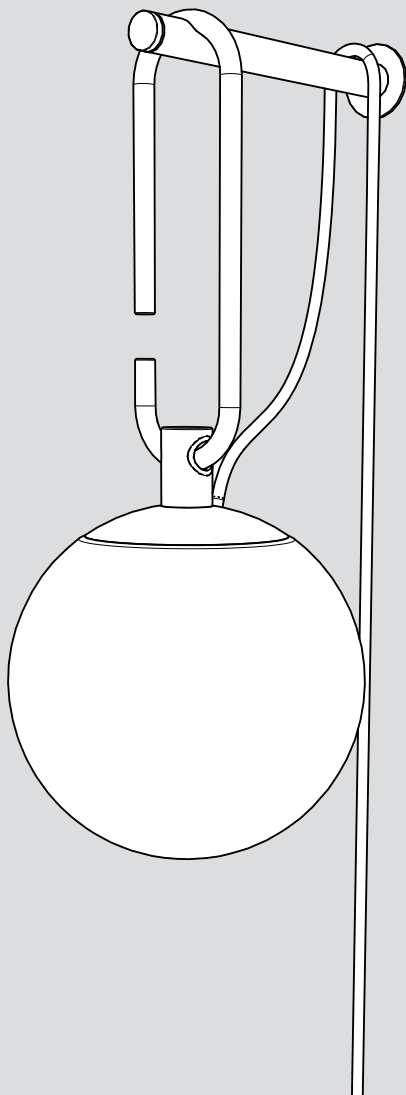


# Artemide®

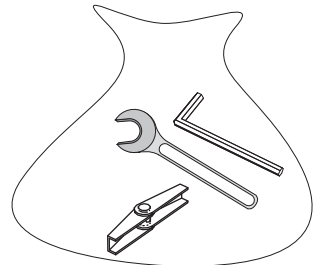
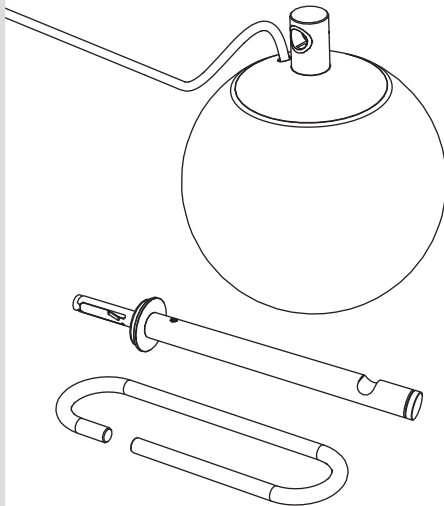
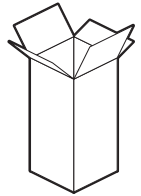
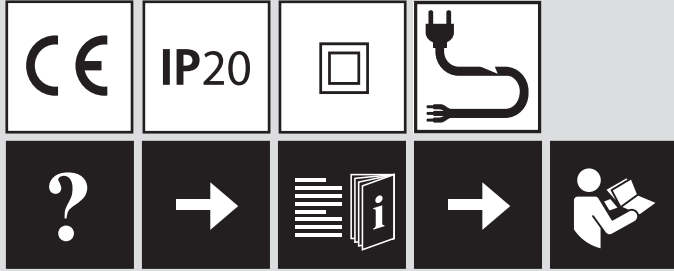
nh

design  
Neri & Hu

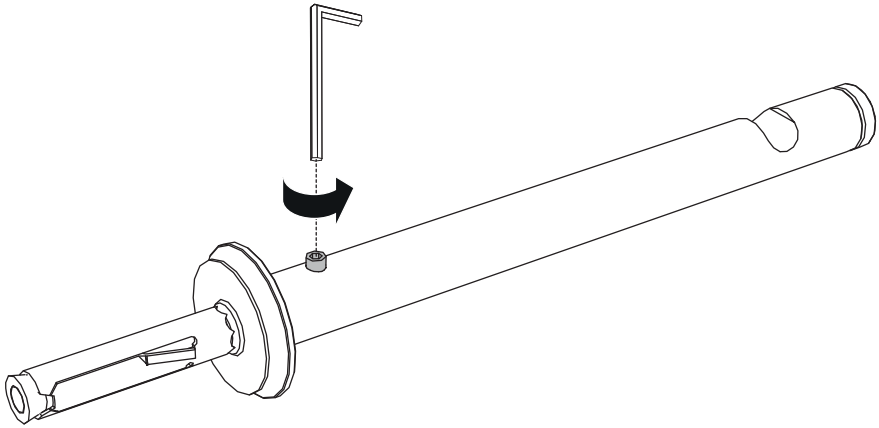




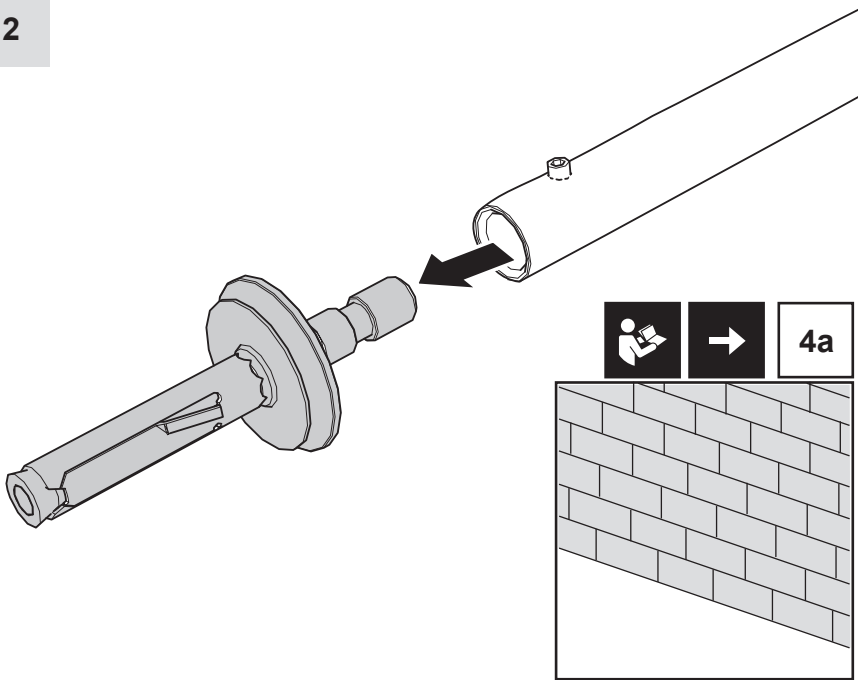
i



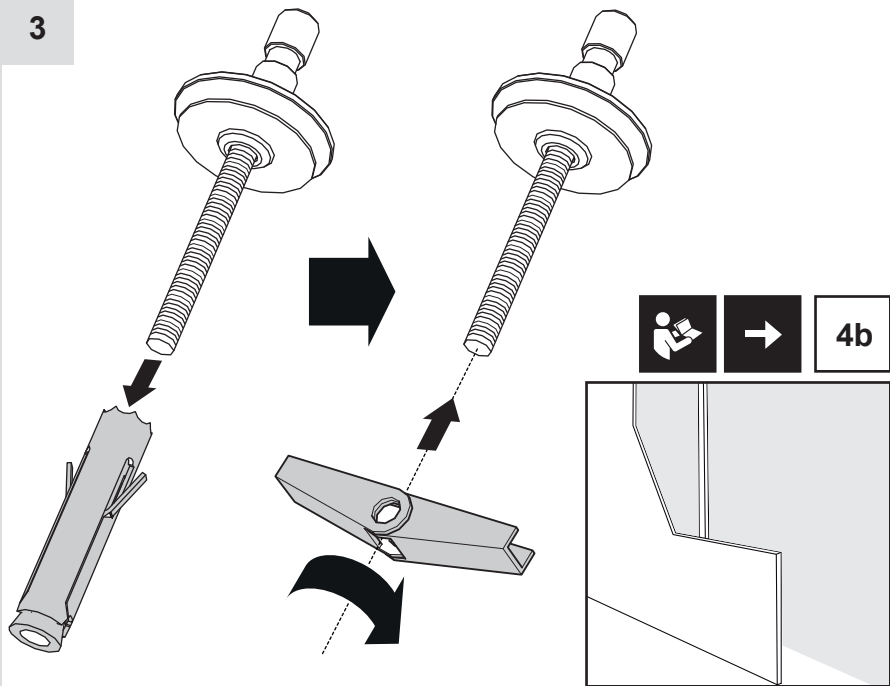
1



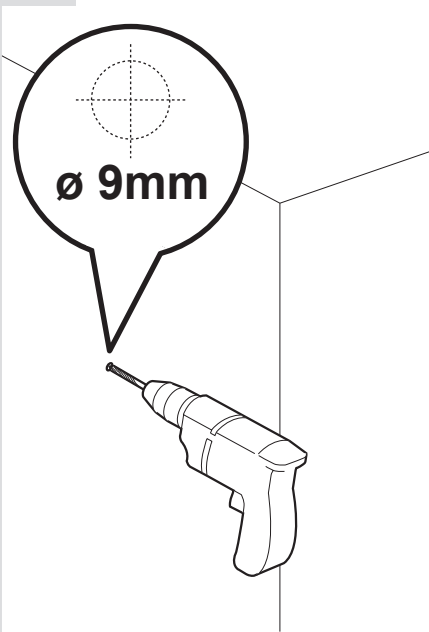
2



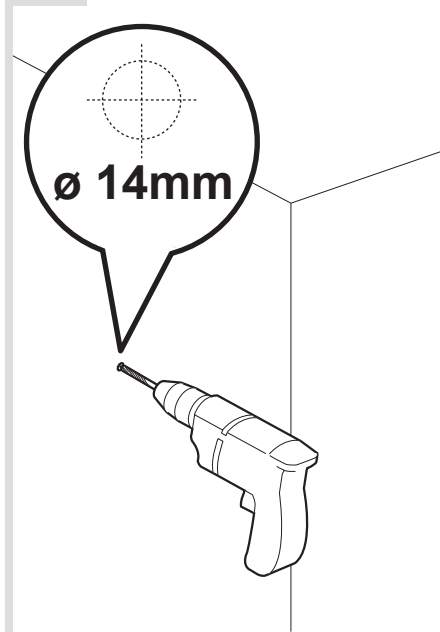
3



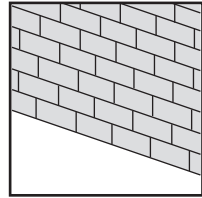
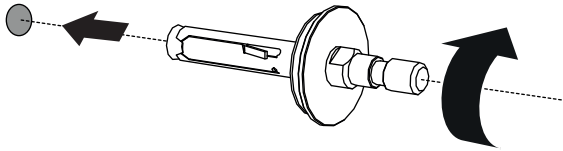
4a



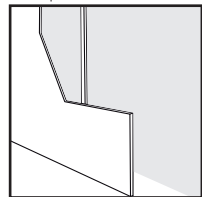
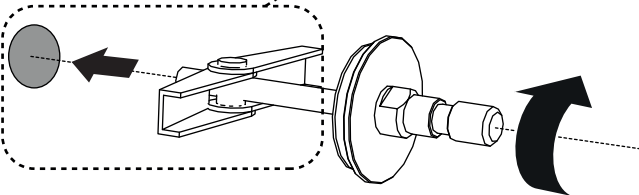
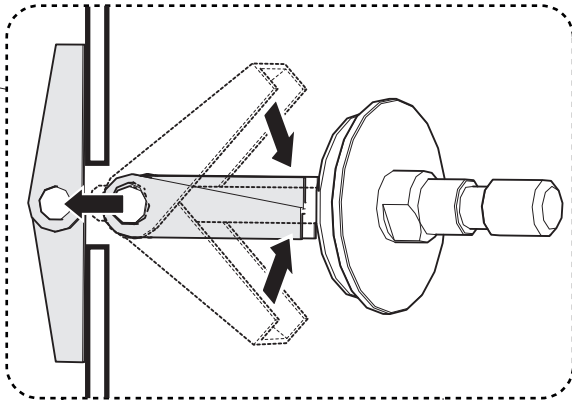
4b



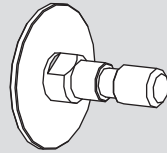
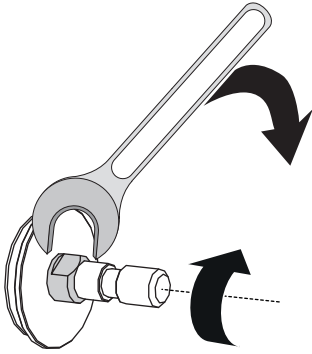
5a



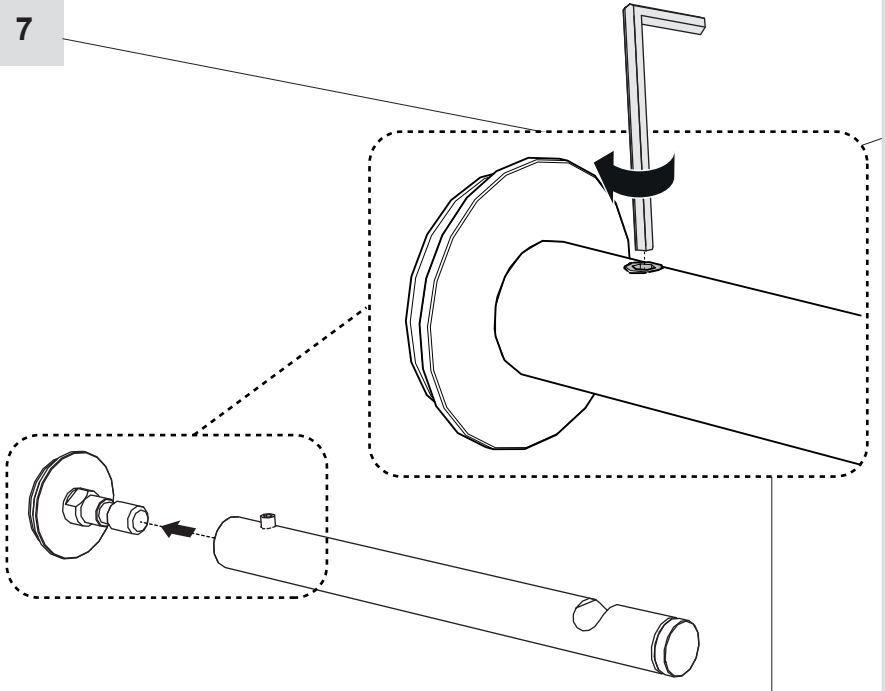
5b



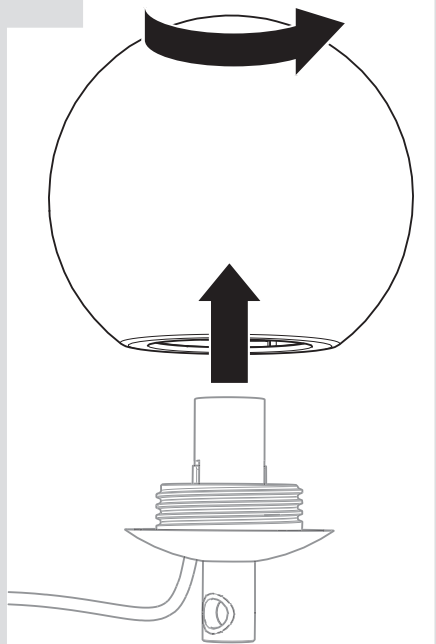
6



7



8



LED



HALO

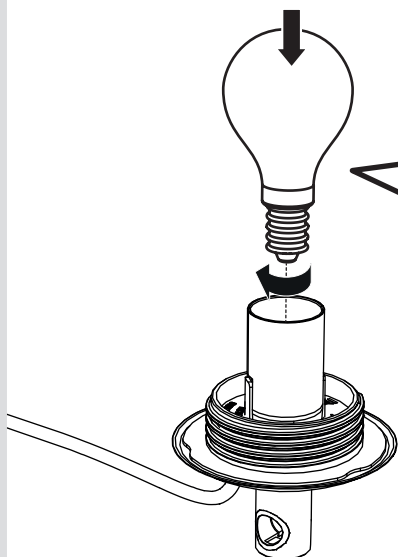


HALO



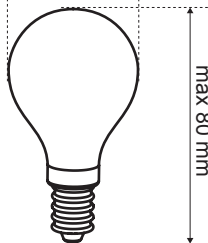
FLUO

9



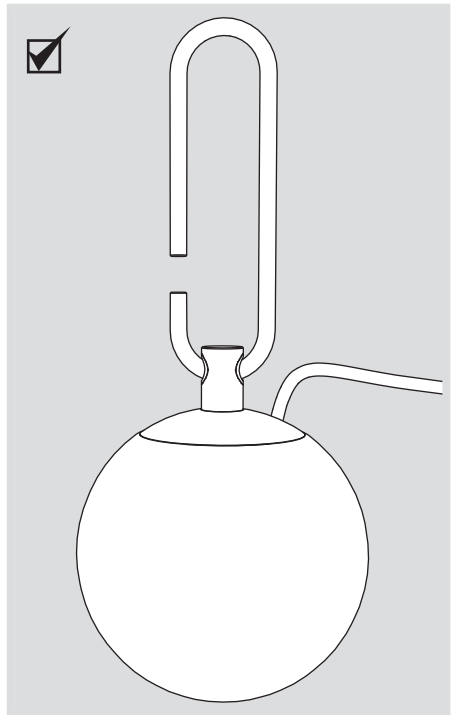
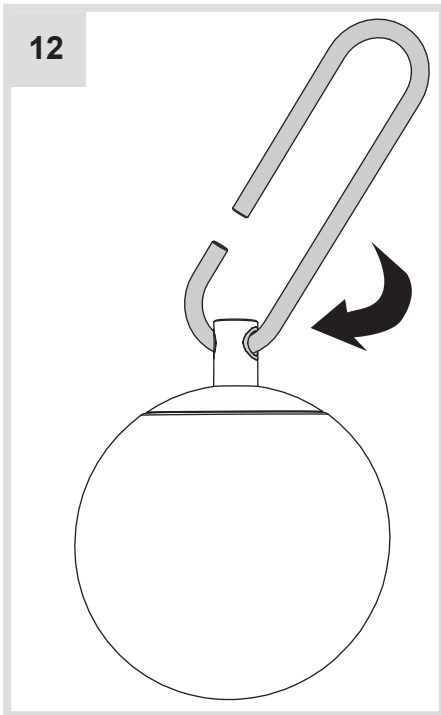
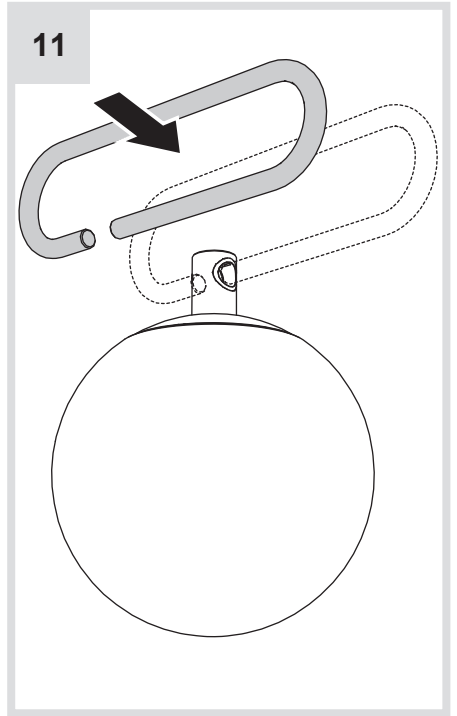
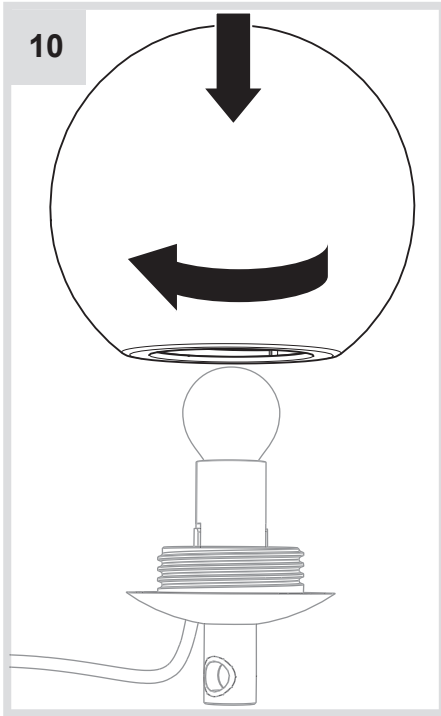
**E14 - MAX 5W LED**

max 50 mm



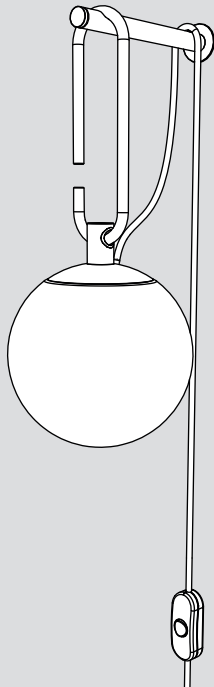
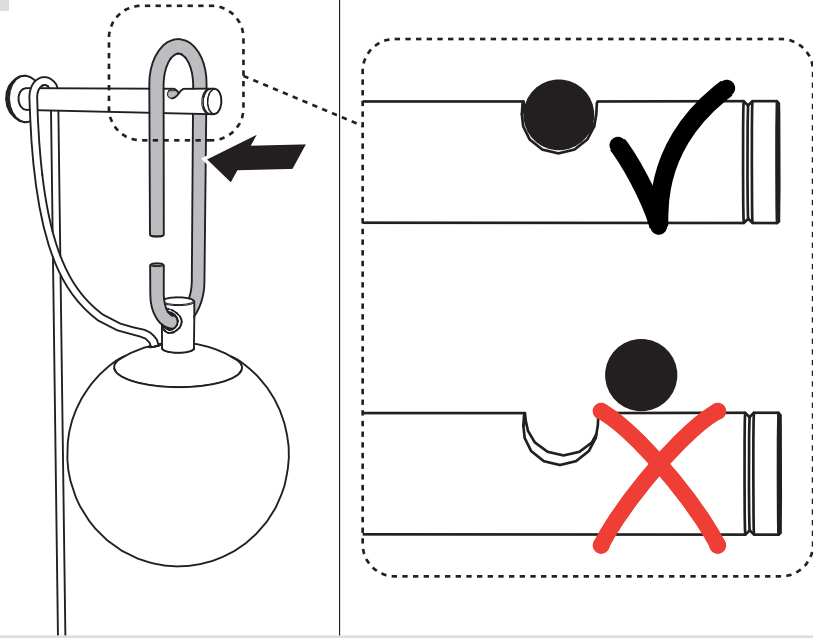
max 80 mm

**For USA and Canada only**  
E12 - MAX 5W cULus LED LAMP



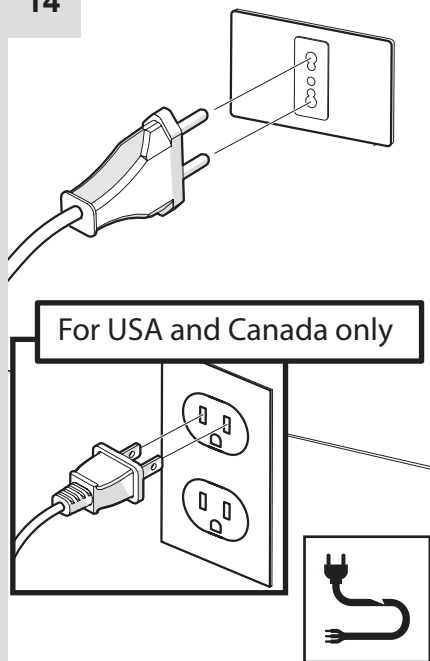


13

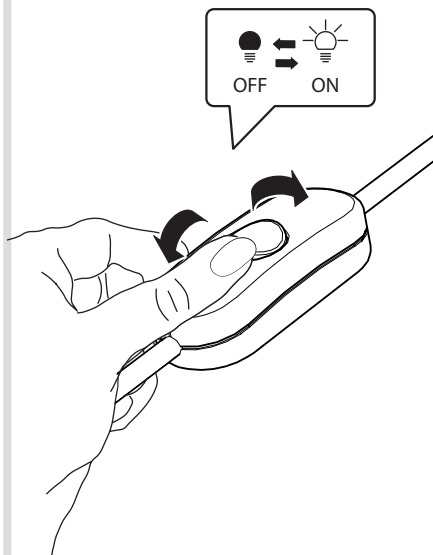




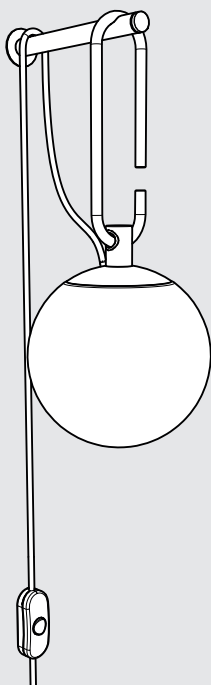
14



i



i



8

9

10

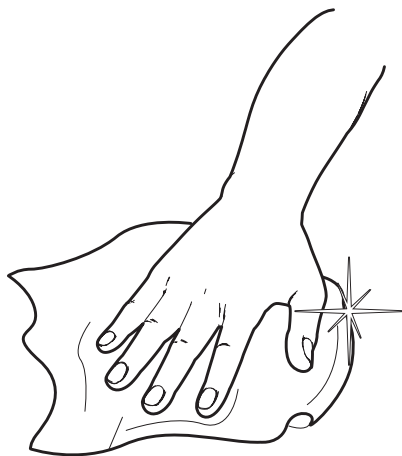
E14 - MAX 5W LED

max 50 mm

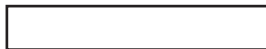


max 80 mm

**For USA and Canada only**  
E12 - MAX 5W cULus LED LAMP



# Artemide®



## **Artemide**

via Bergamo, 18  
20010 Pregnana M.se (MI)  
ITALIA

tel. +39 02 935 181  
fax +39 02 935 90 254  
fax +39 02 935 90 496

[www.artemide.com](http://www.artemide.com)

VAT IT00846890150

## **Artemide Inc.**

250 Karin Lane  
Hicksville, NY 11801

Tel. 631 694 9292  
Toll Free 1-877-Art-9111  
Fax 631 694 9275

[www.artemide.net](http://www.artemide.net)

## **Artemide Ltée/Ltd.**

11105 rue Renaude Lapointe  
Montréal, Québec H1J 2T4

Tel. 514 323 6537  
Toll Free 888 777 2783  
Fax 514 323 8864

[www.artemide.net](http://www.artemide.net)

cod. Y513000954