



Attention: Read and understand these instructions before installing fixture. This fixture is intended for installation in accordance with the National Electric Code and local regulation. To assure full compliance with local codes and regulations, check with your local electrical inspector before installation. This equipment is guaranteed only when used as indicated in these instructions; therefore they should be kept for future reference. To prevent electrical shock, turn off power supply before carrying out any connection or maintenance operations. During installation, the LED chips may be exposed; please do not touch them to ensure proper long-term operation.

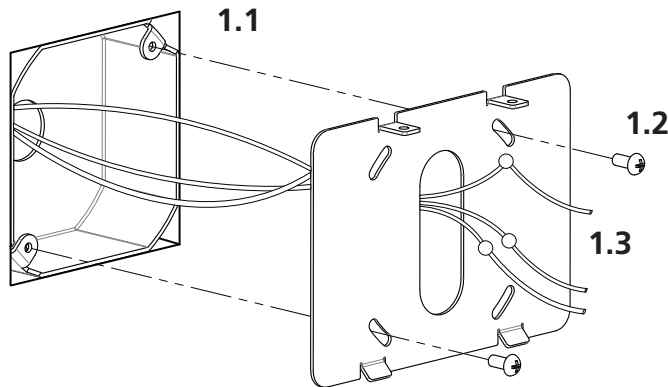
STEP 1

Mounting

1. Pass wire through mounting plate

2. Install mounting plate

3. Make appropriate connections



FIXTURE WIRES	WALL WIRES	FOR 0-10V DIM VERSION	
GREEN	GREEN	FIXTURE WIRES	WALL WIRES
BLACK	BLACK	PURPLE +	0-10VDC +
WHITE	WHITE	GREY -	DC -

STEP 2

1. Engage fixture body on mounting plate tab

2. Rotate flat to wall

3. Fix the fixture using set screws provided

