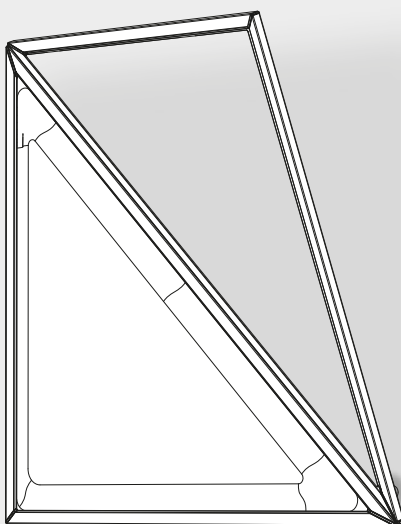
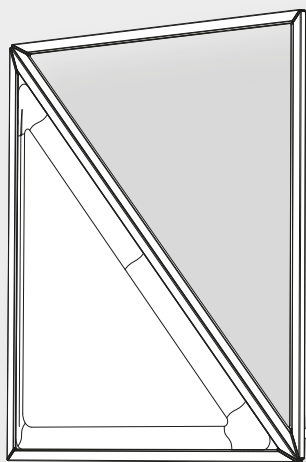


FLEXIA

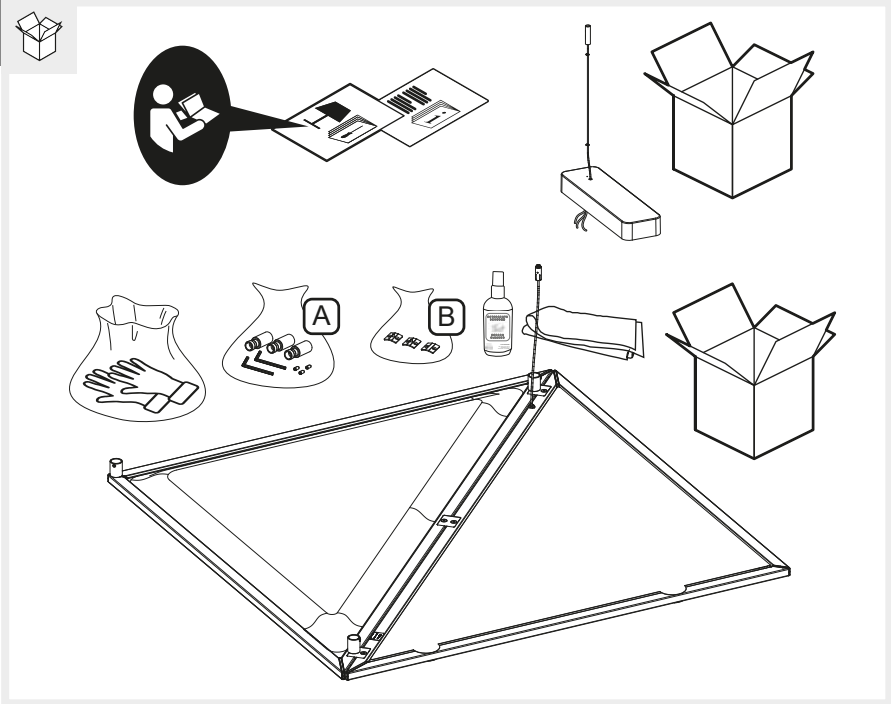
design
Mario Cucinella

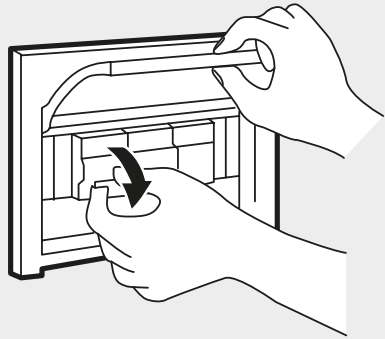
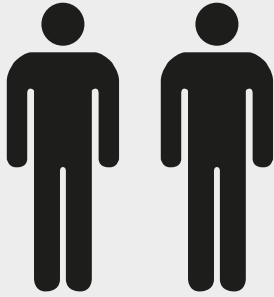




i

			Artemide App Quick Starting Guide	





i

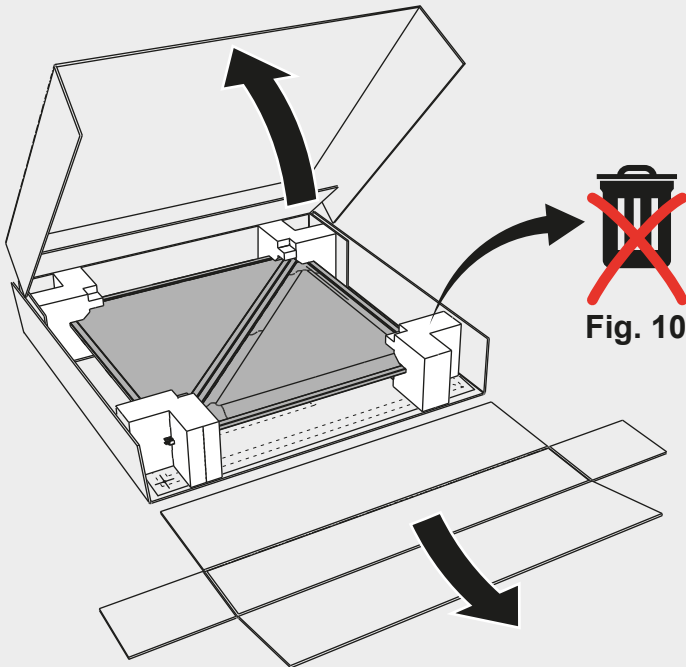
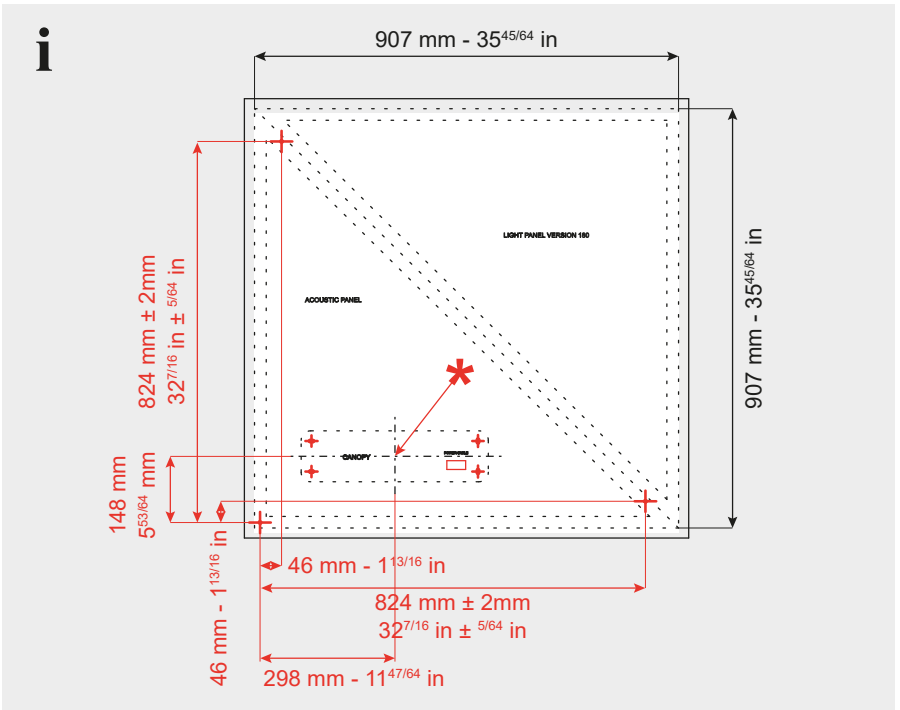
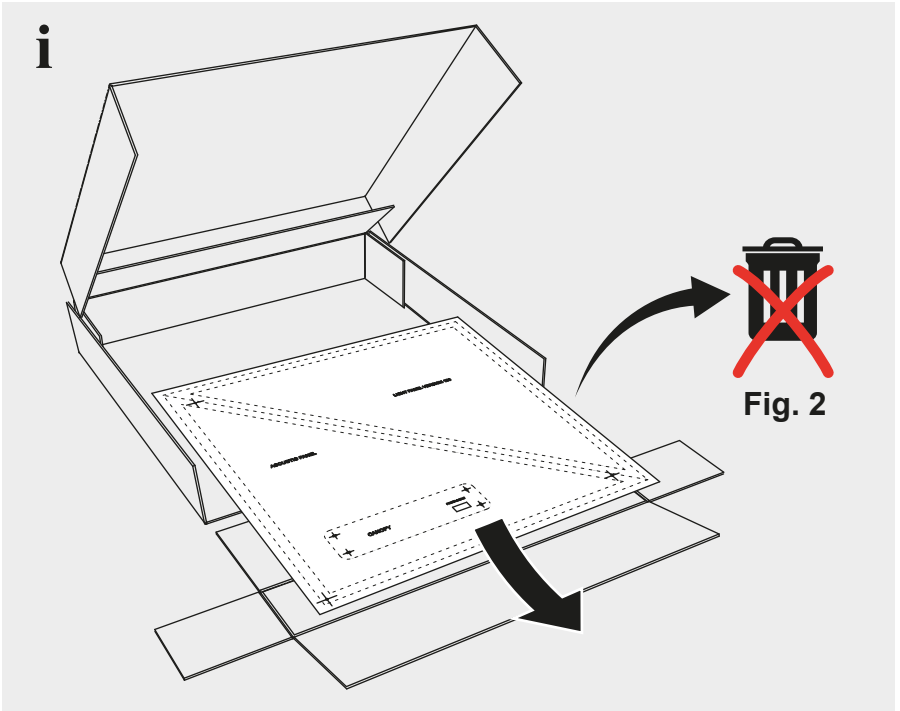
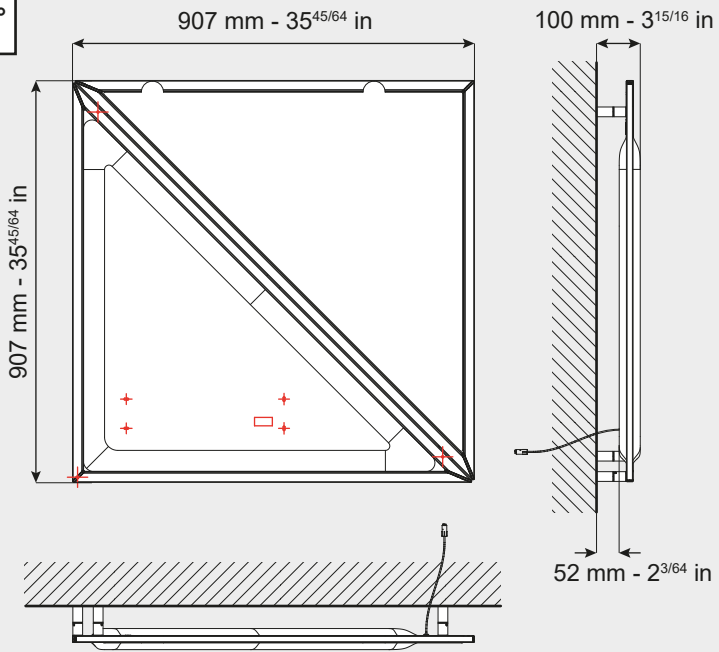
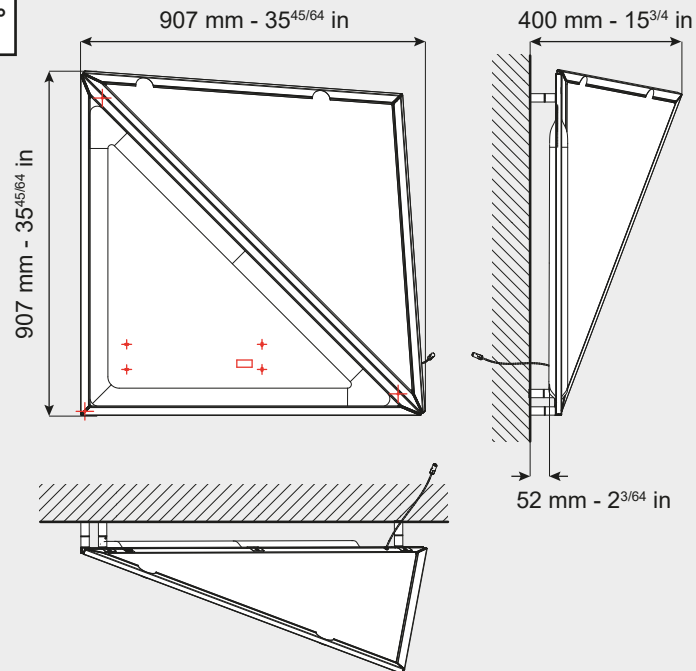
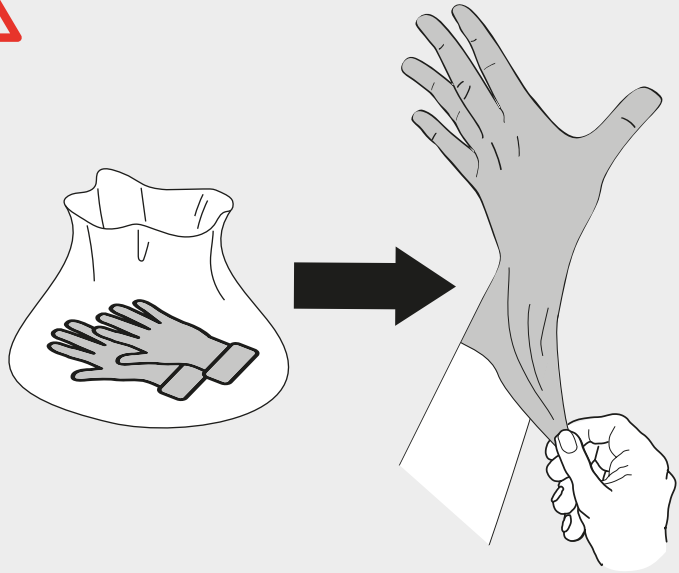
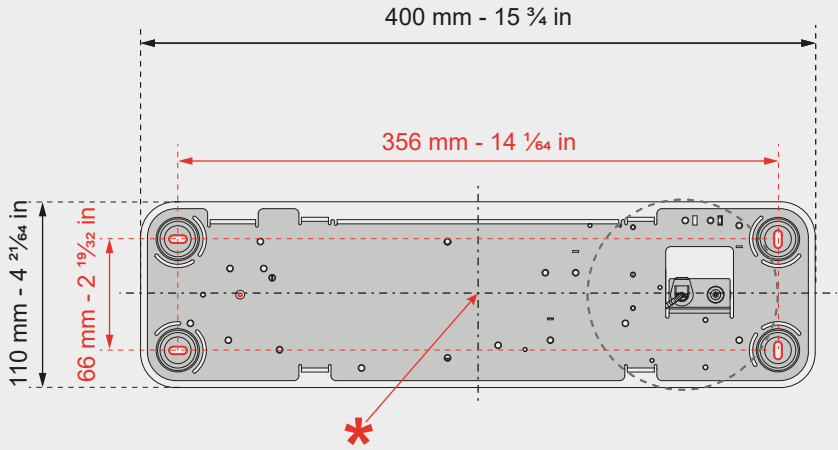


Fig. 10

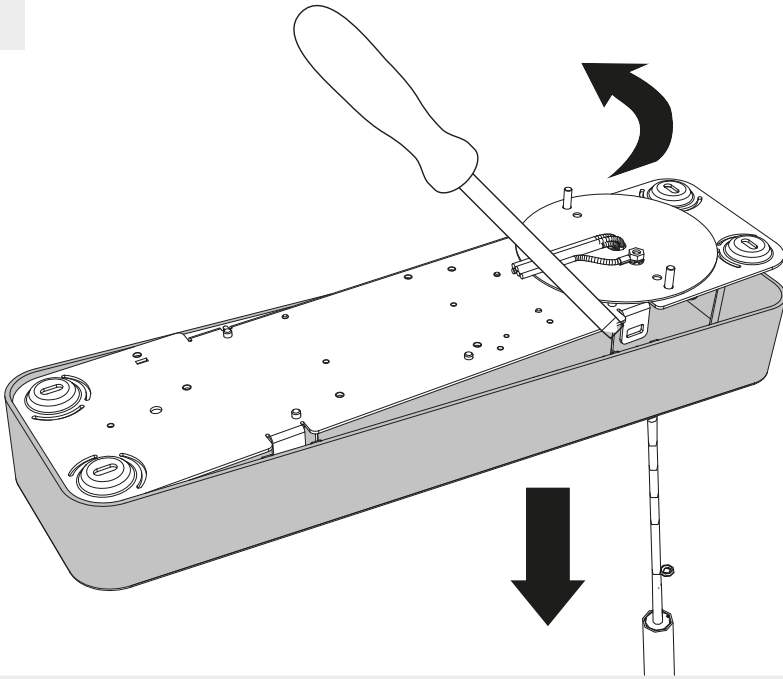


i**180°****i****150°**

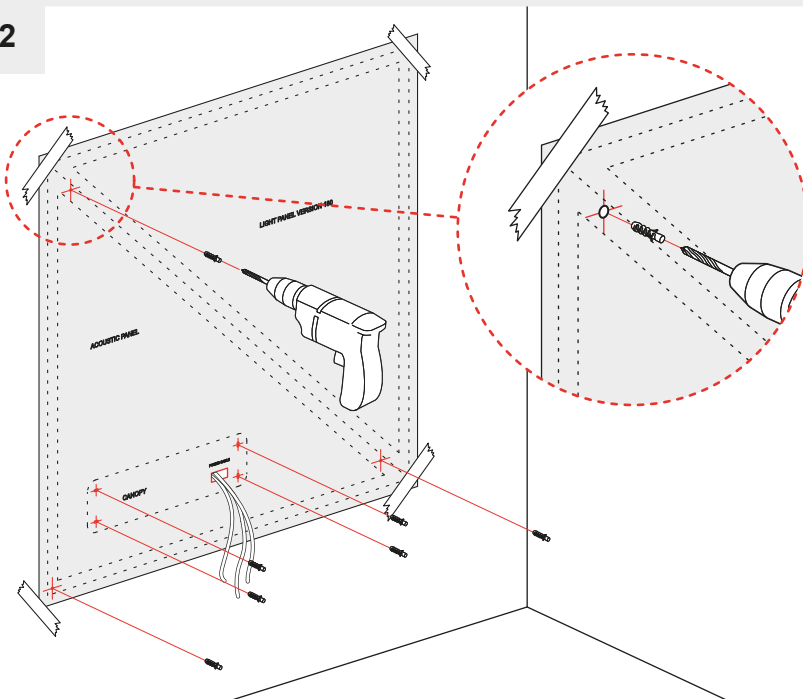
i



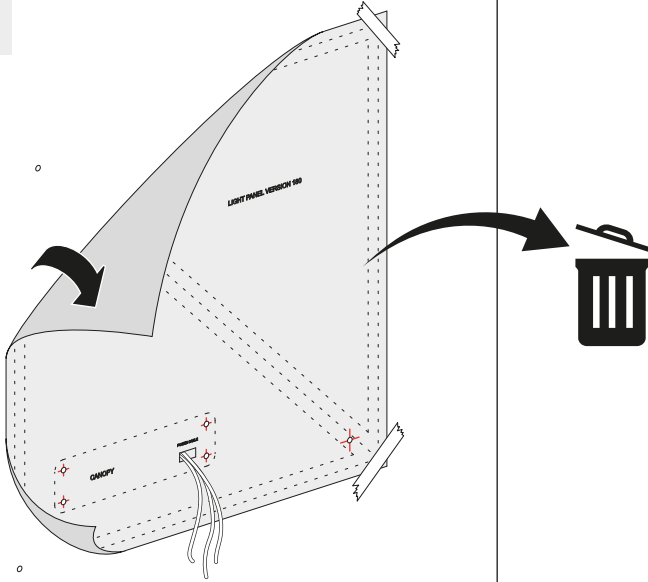
1



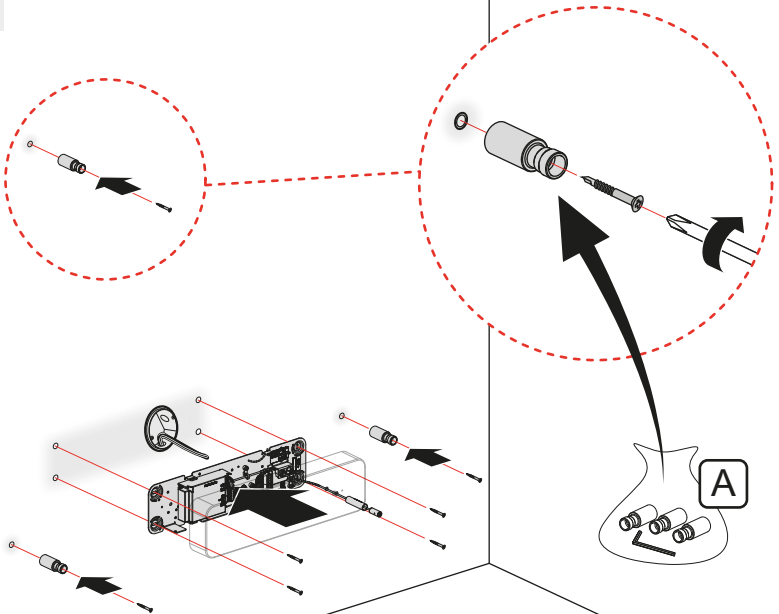
2

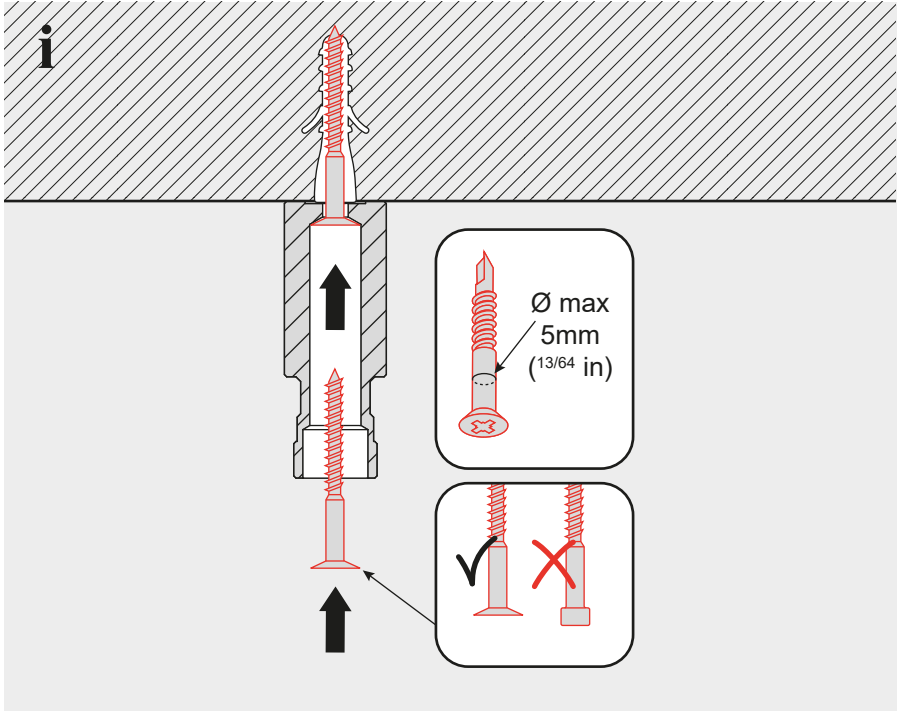


3



4

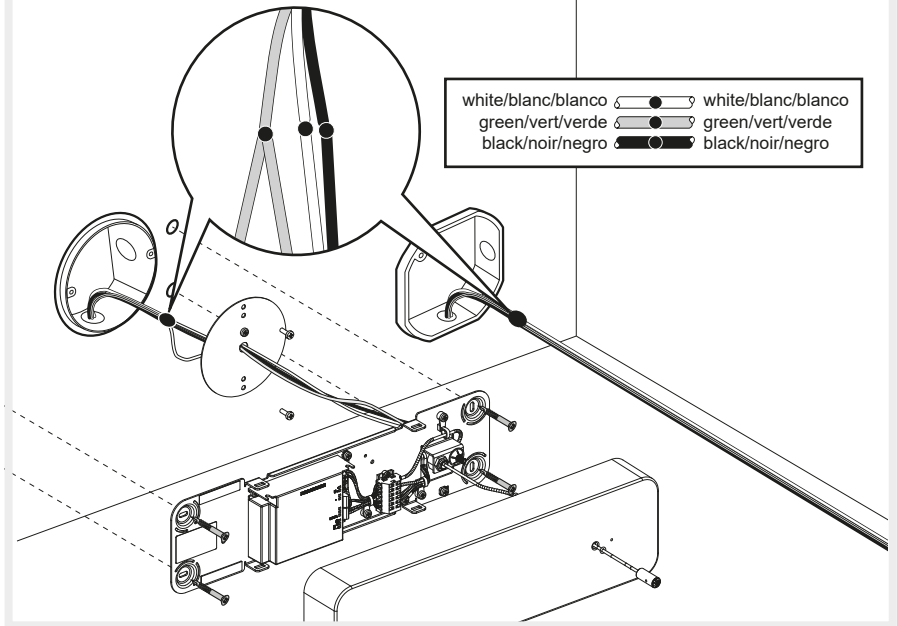




5a



For voltage refer to lamp driver
 Pour la tension, se référer au driver de la lampe
 Para el voltaje consultar el alimentador de la lámpara

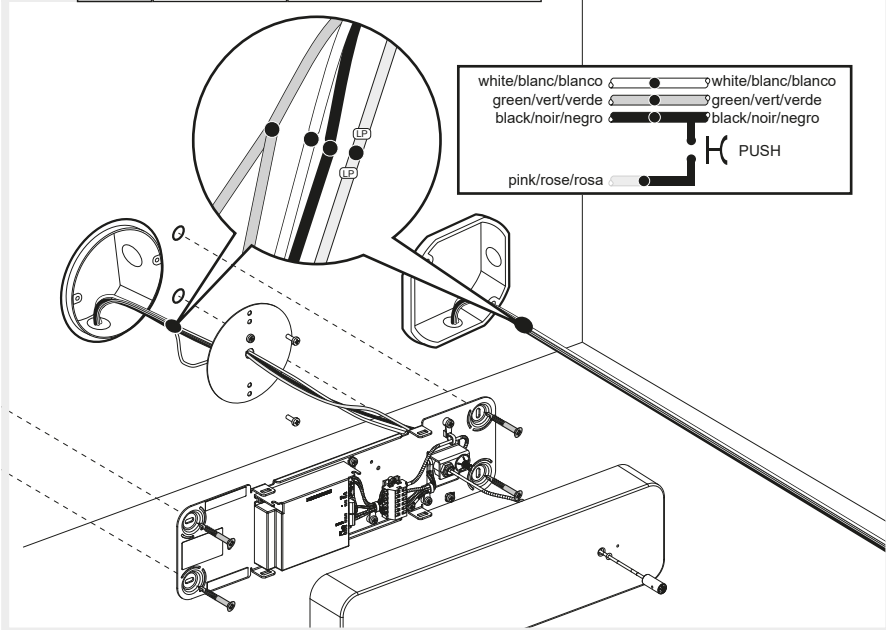


5b



120V

Push dimming
Regulable mediante Push



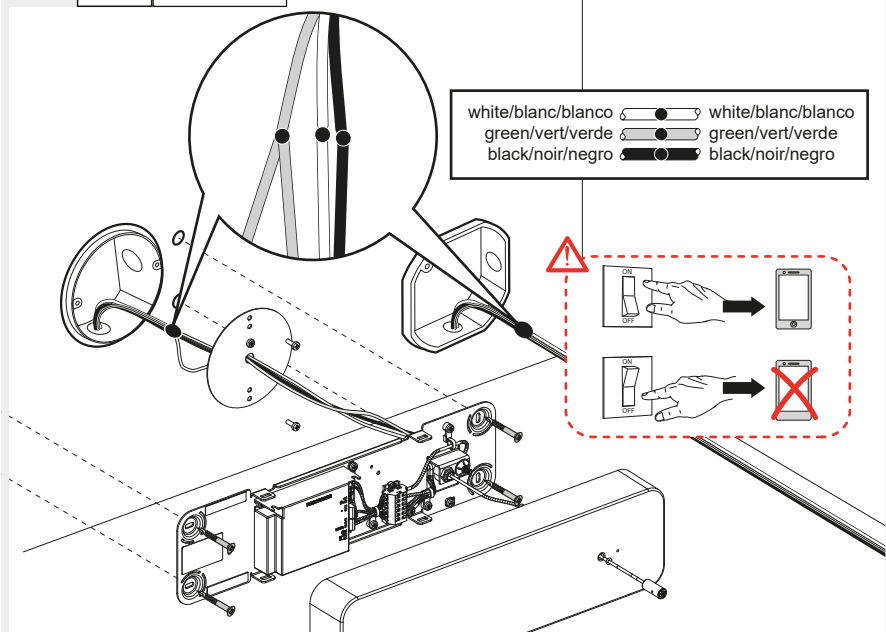
white/blanc/blanco white/blanc/blanco
green/vert/verde green/vert/verde
black/noir/negro black/noir/negro
pink/rose/rosa

PUSH

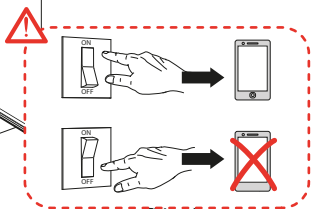
5c



120V



white/blanc/blanco white/blanc/blanco
green/vert/verde green/vert/verde
black/noir/negro black/noir/negro

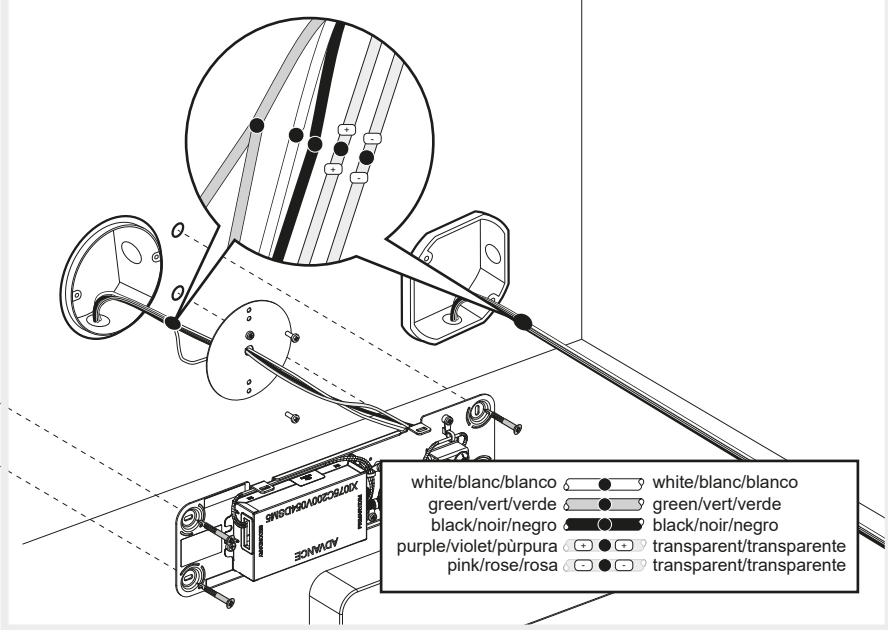


5d



120V-277V

0-10V dimming control
Dimmable 0-10V
Regulable mediante control 0-10V

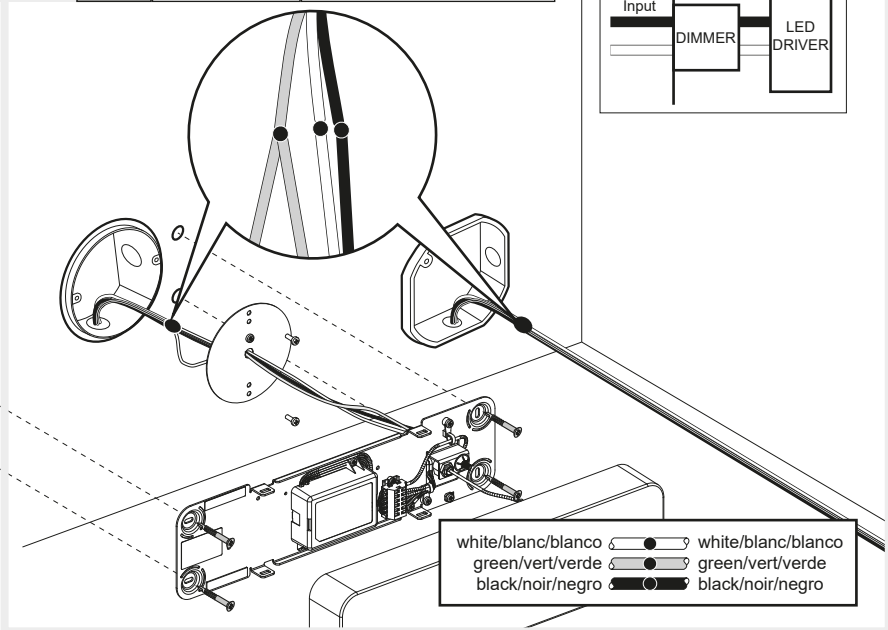


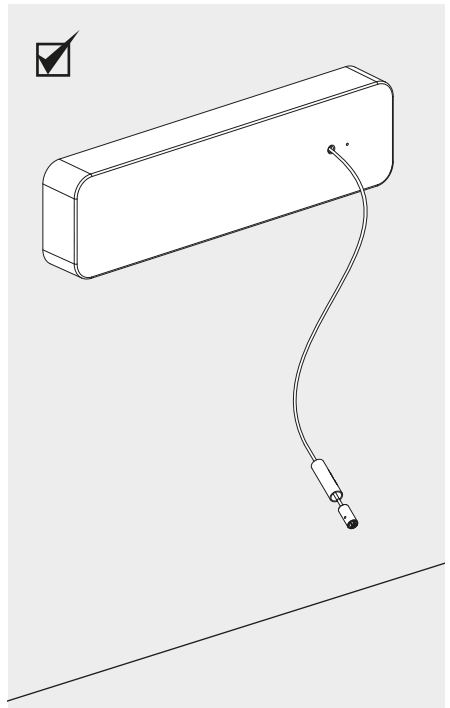
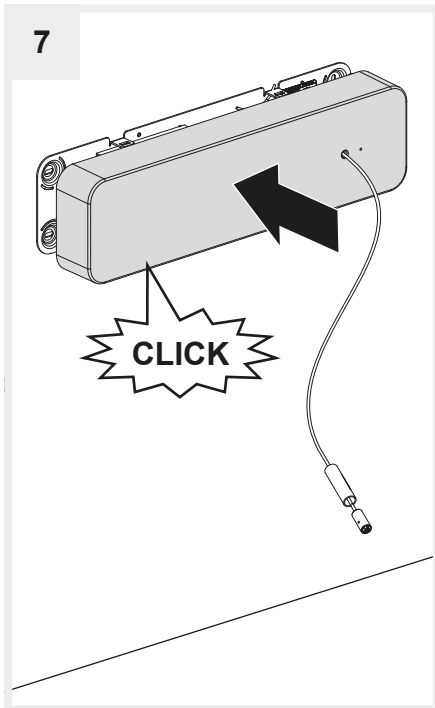
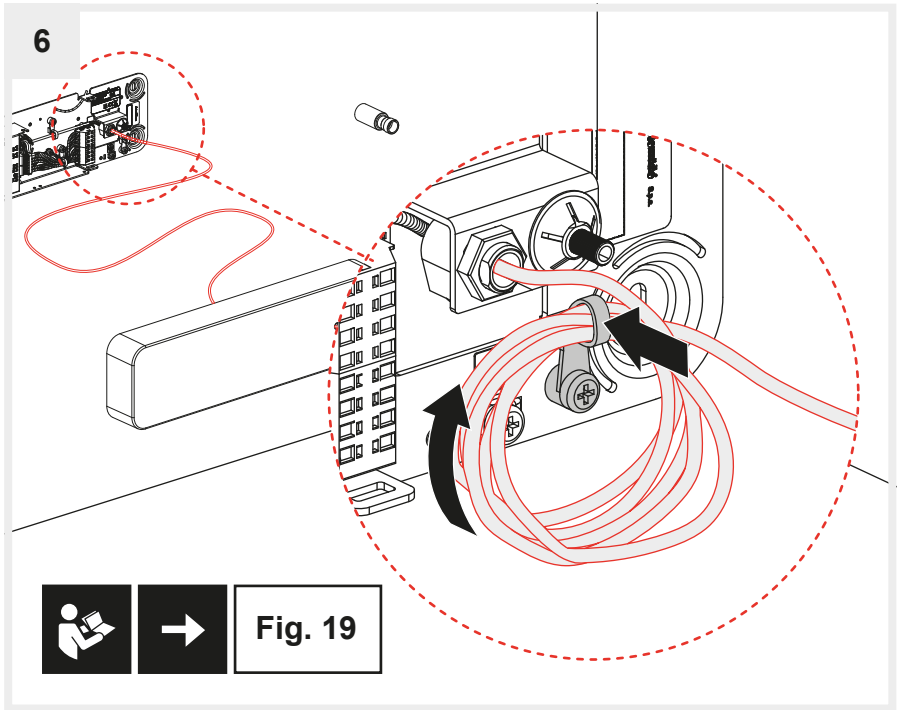
5e



120V

Phase cut
Coupure de phase
Corte de fase





180°

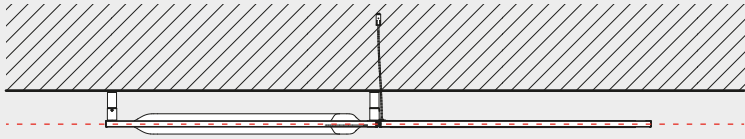
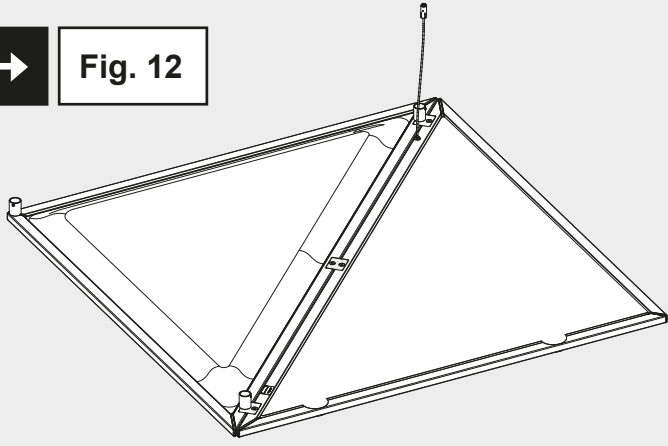


Fig. 12



150°

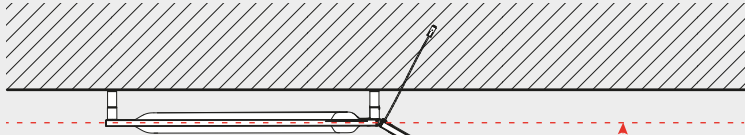
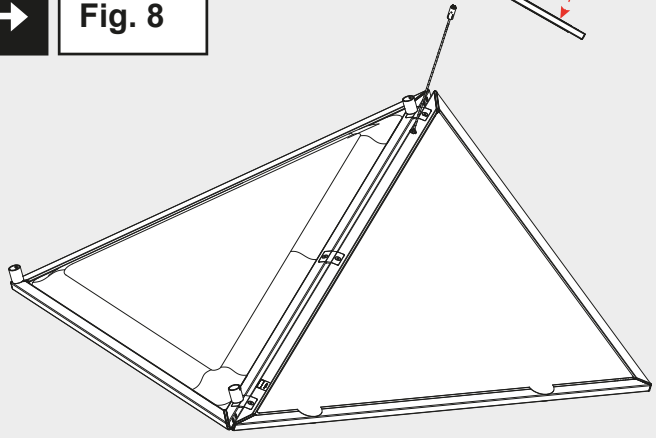
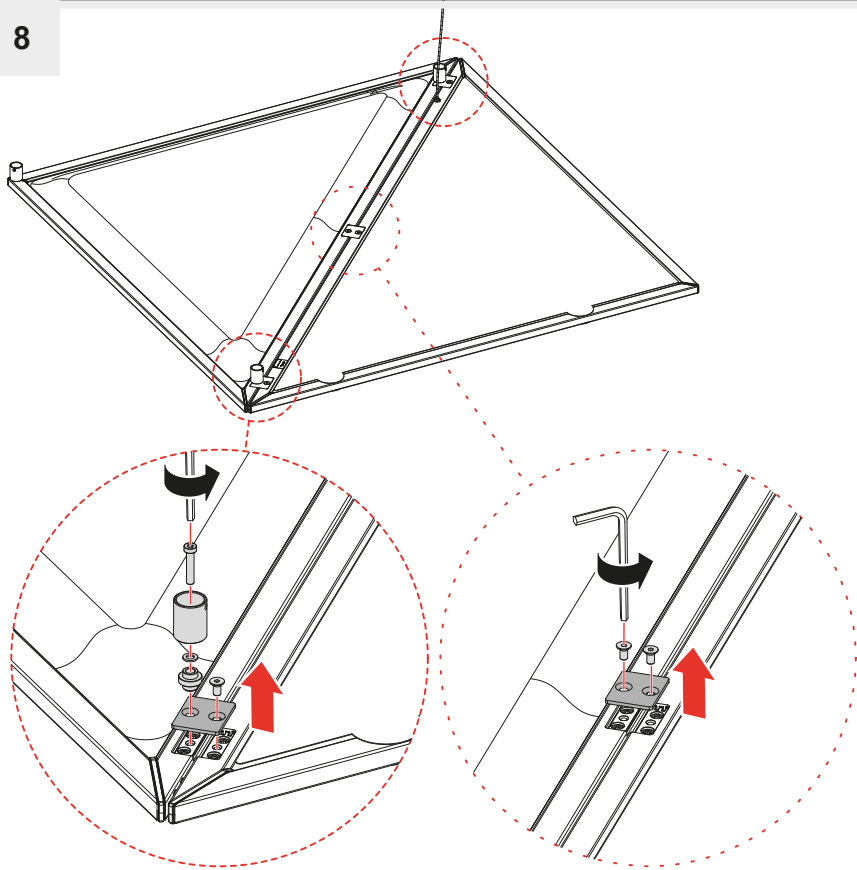


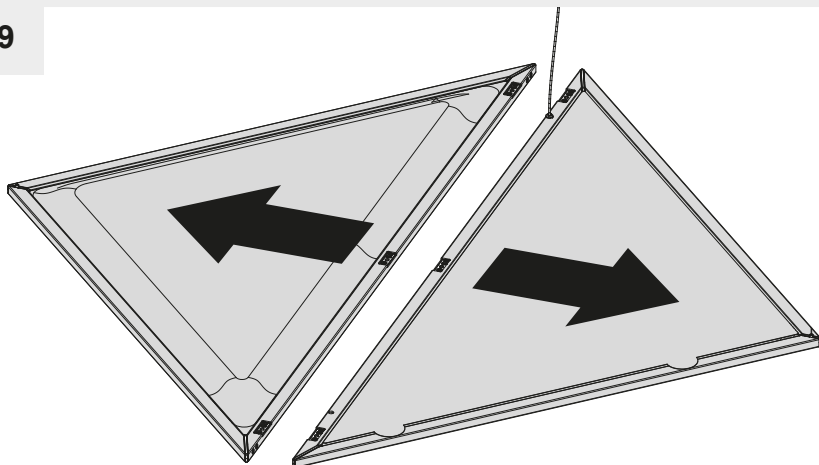
Fig. 8



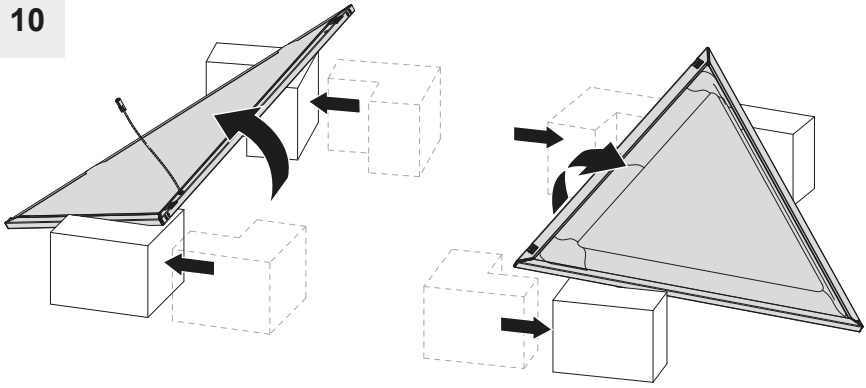
8



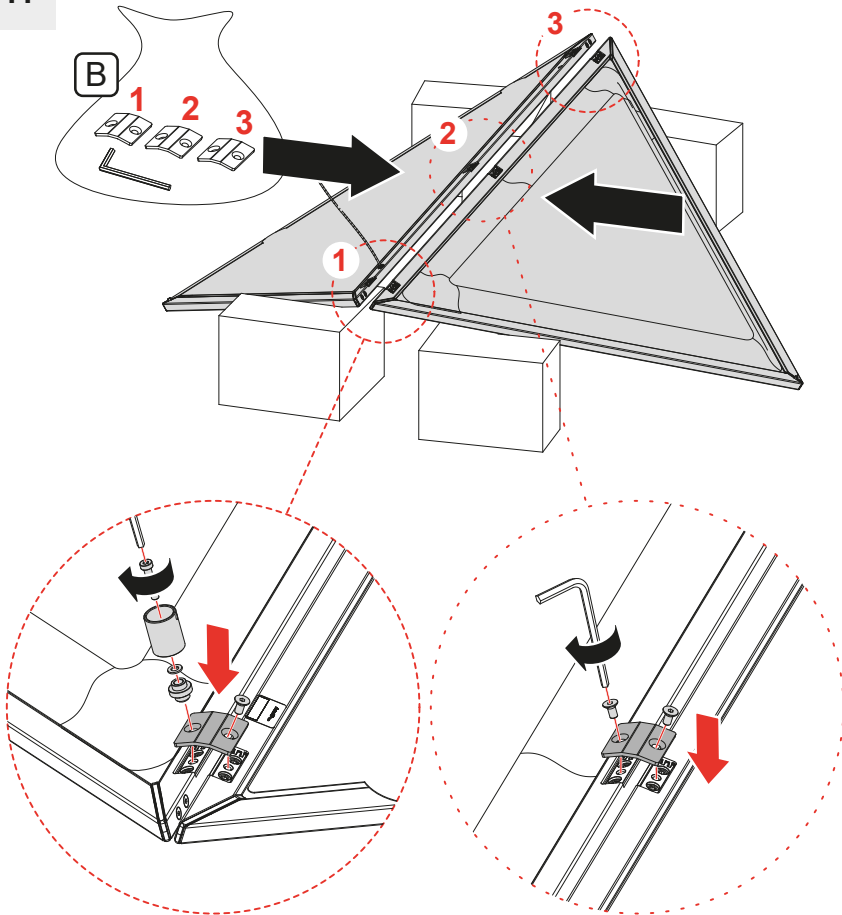
9



10

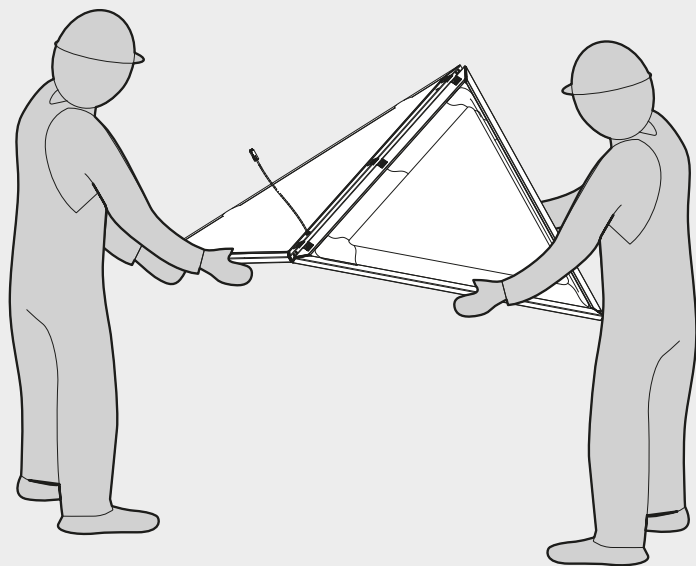


11

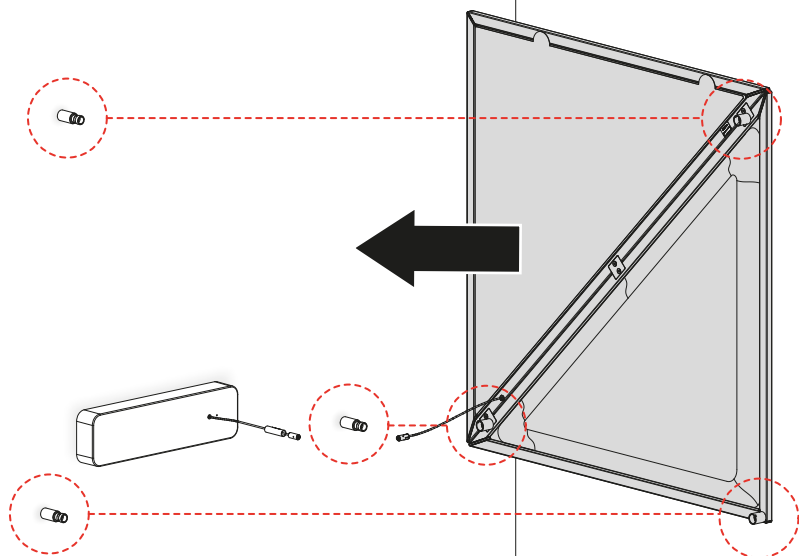


180°

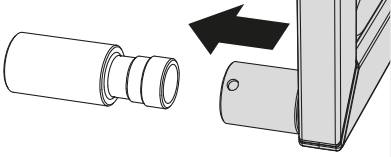
150°



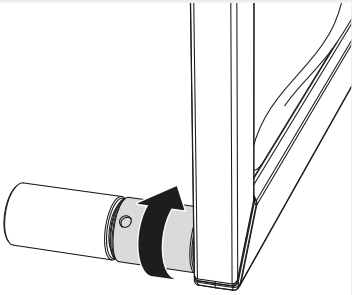
12



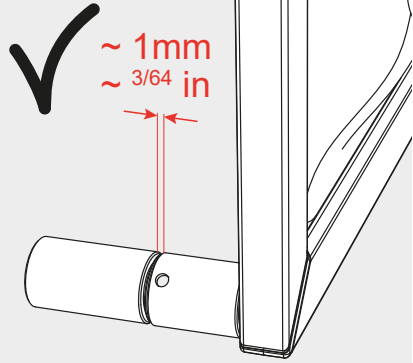
13



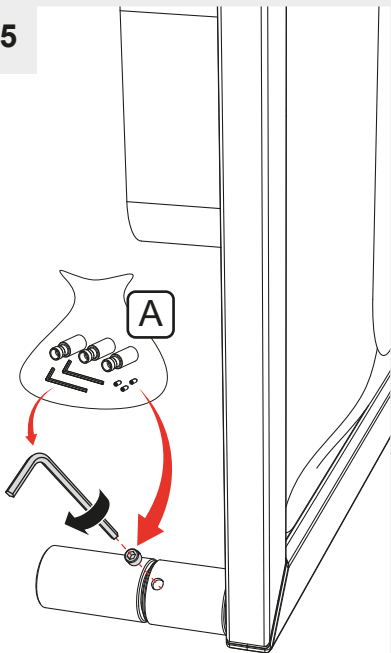
14



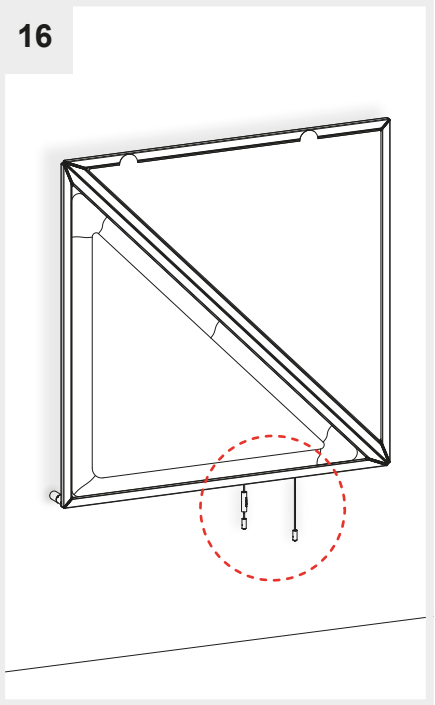
i



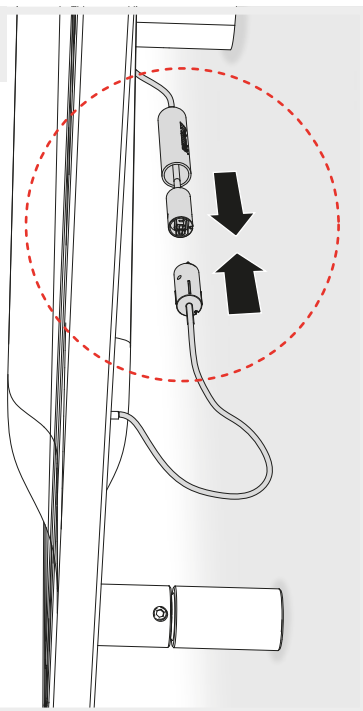
15



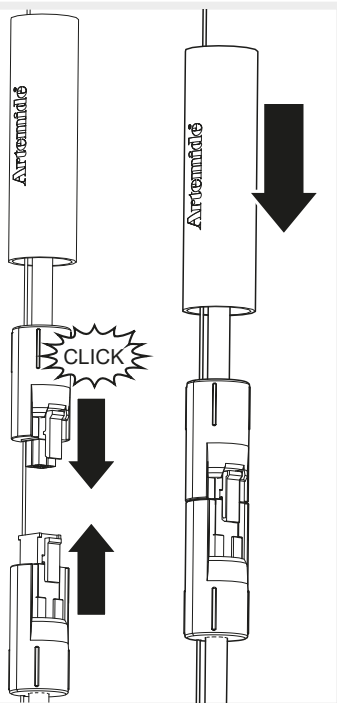
16



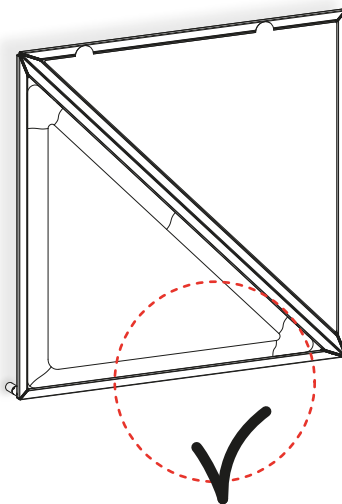
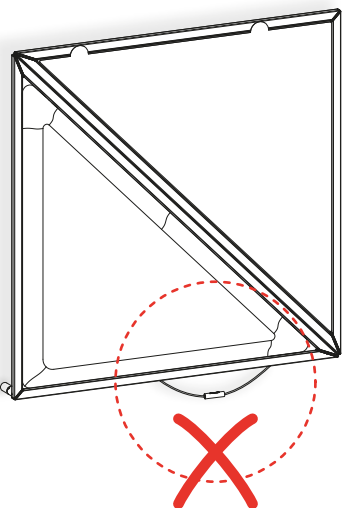
17

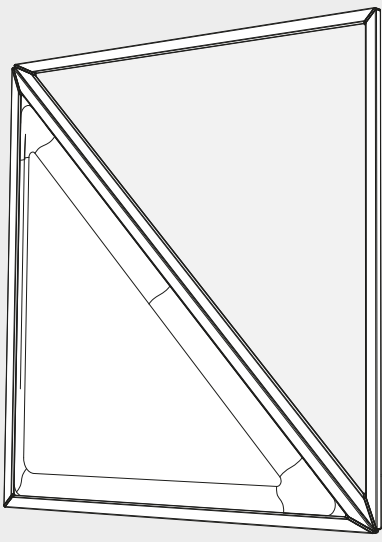
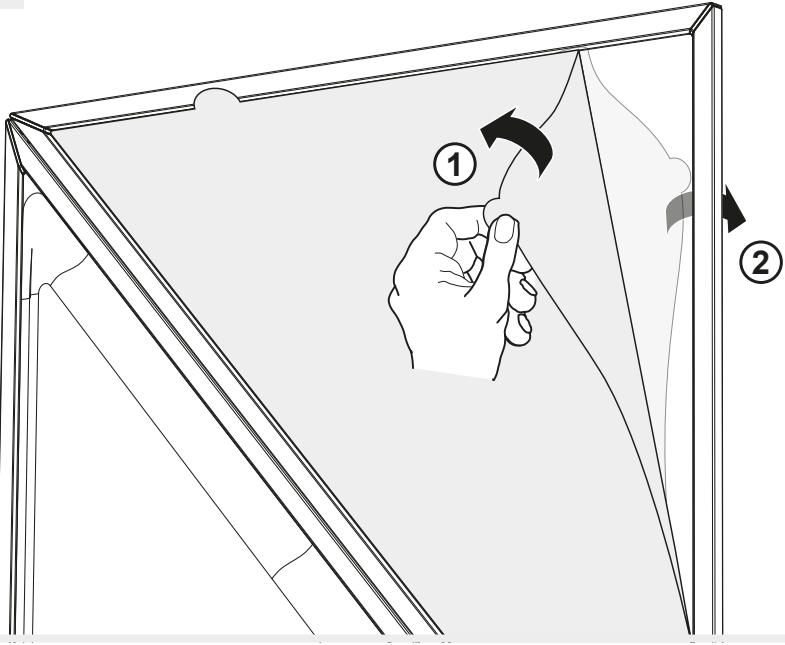


18



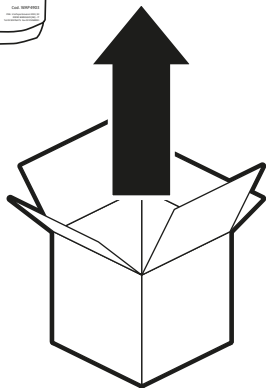
19



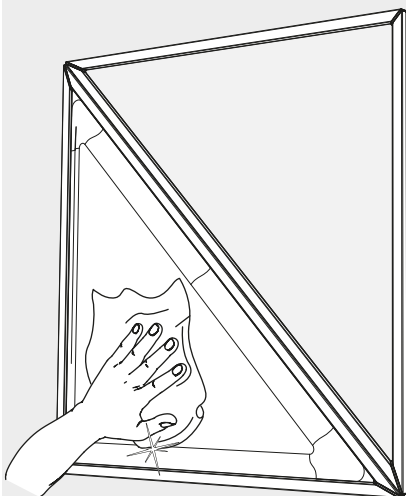




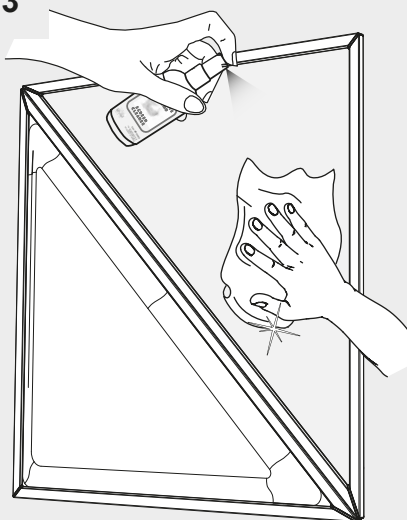
1

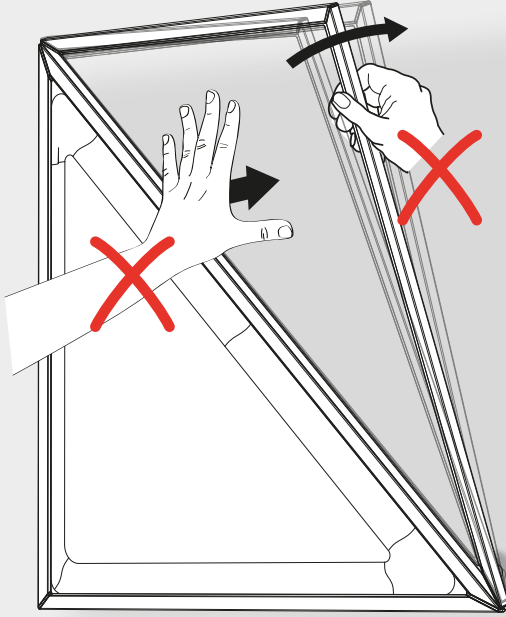


2



3





Artemide®



Artemide

via Bergamo, 18
20006 Pregnana M.se (MI)
ITALIA

tel. +39 02 935 181
fax +39 02 935 90 254
fax +39 02 935 90 496

www.artemide.com

VAT IT00846890150

Artemide Inc.

250 Karin Lane
Hicksville, NY 11801

tel. 631 694 9292
Toll Free 1-877-Art-9111
Fax 631 694 9275

www.artemide.net

Artemide Ltée/Ltd.

11105 rue Renaude Lapointe
Montréal, Québec H1J 2T4

Tel. 514 323 6537
Toll Free 888 777 2783
Fax 514 323 8864

www.artemide.net

cod. Y513001709A