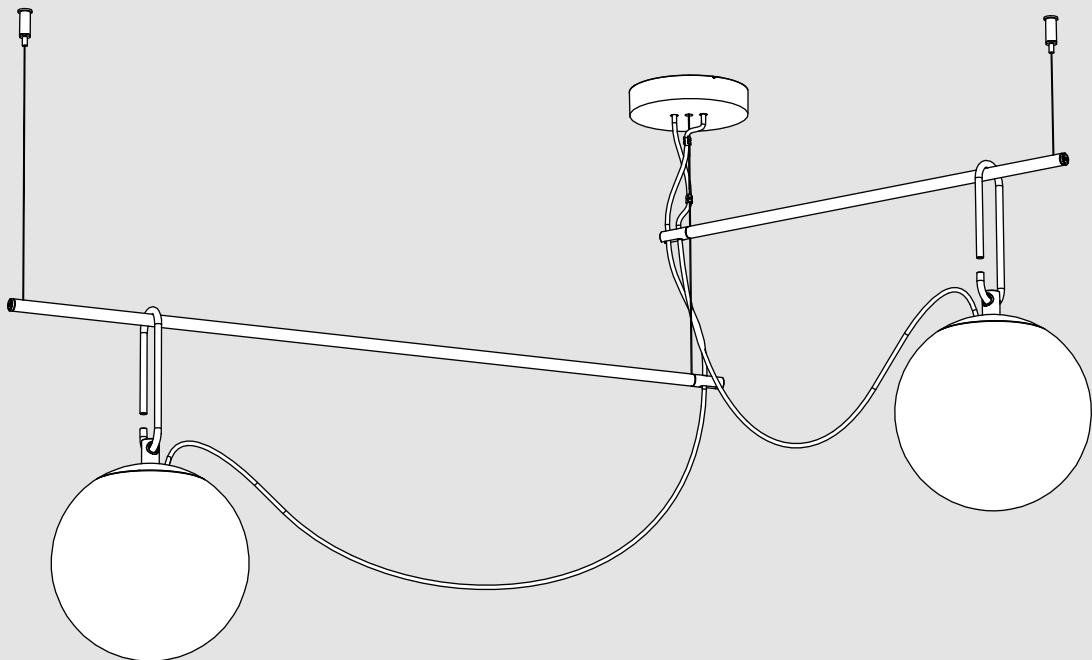


Artemide®

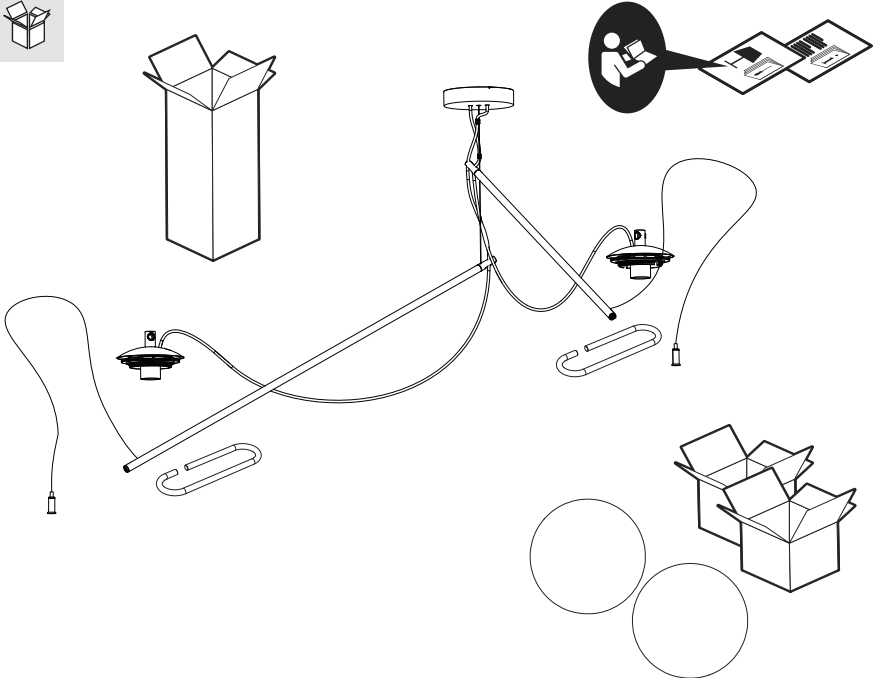
nh

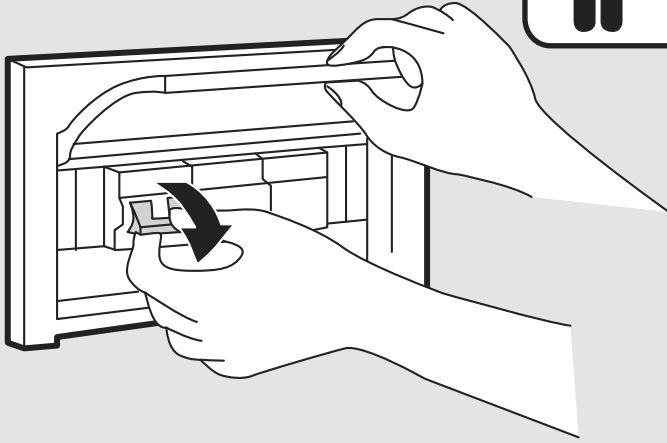
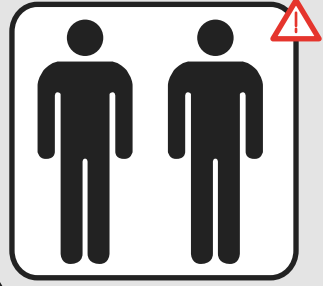
design
Neri & Hu



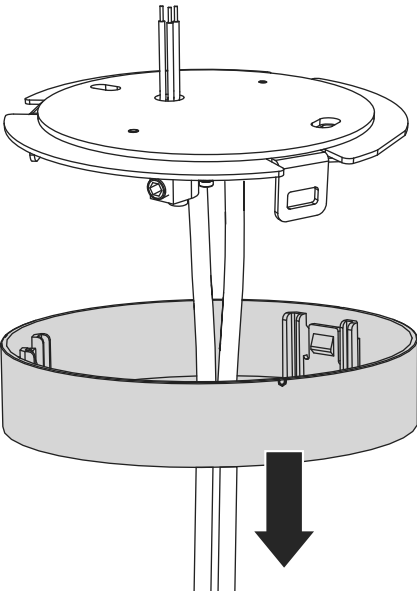


i

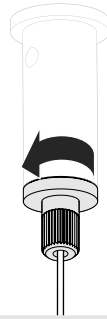




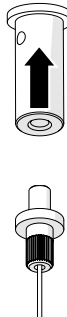
1



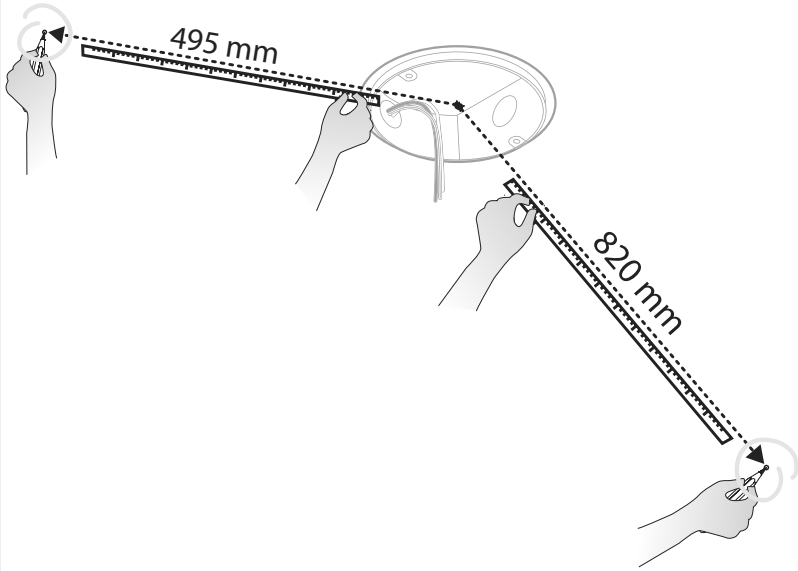
2



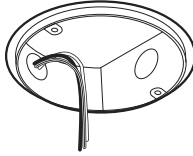
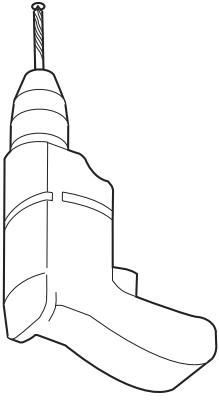
3



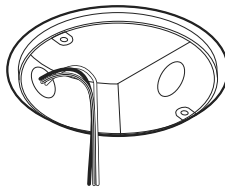
4






5

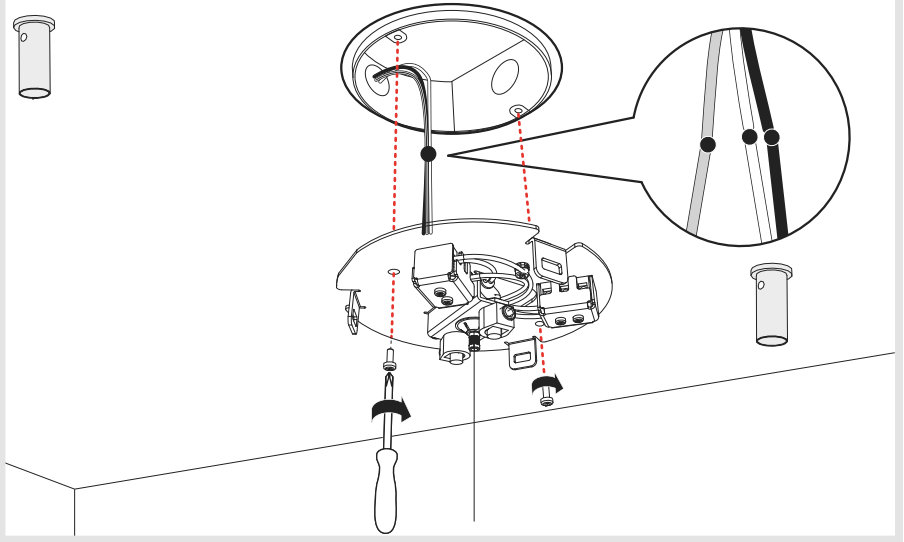


6

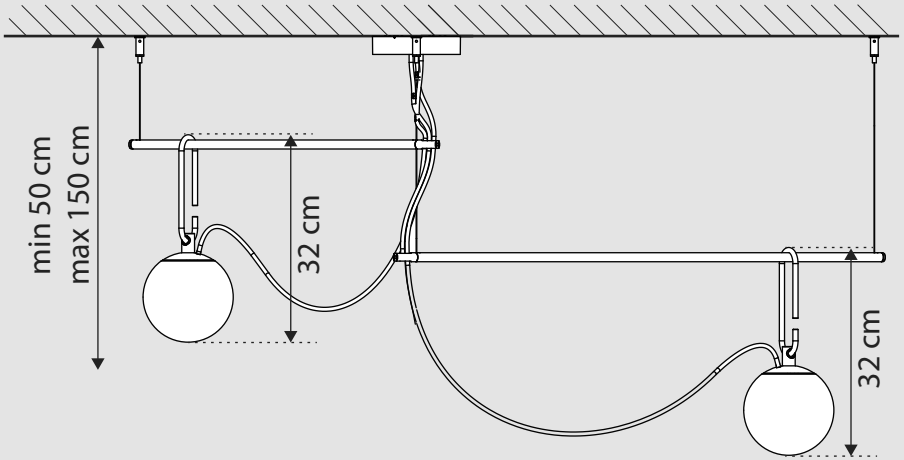


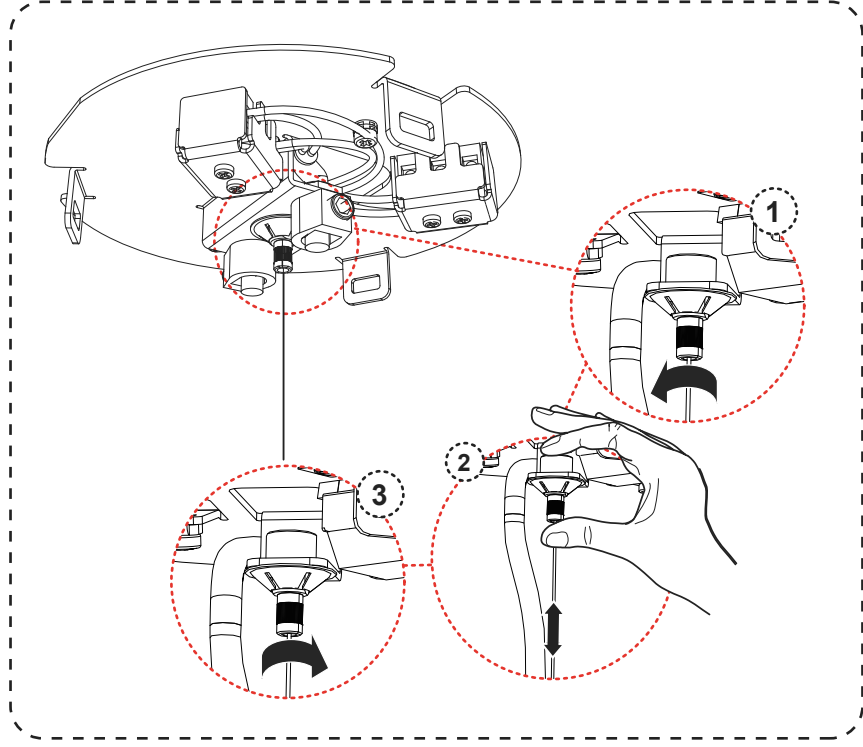
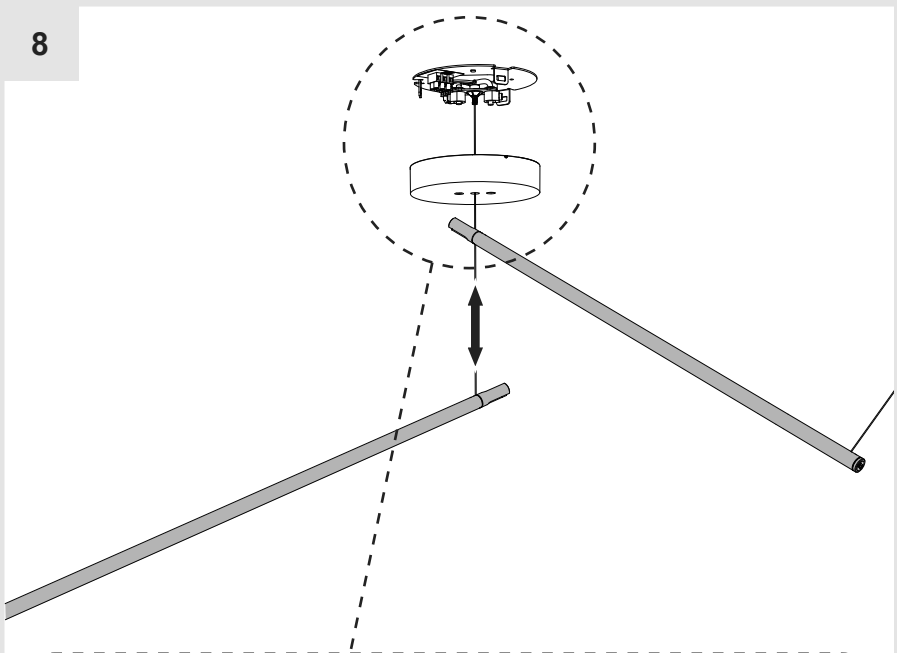
7

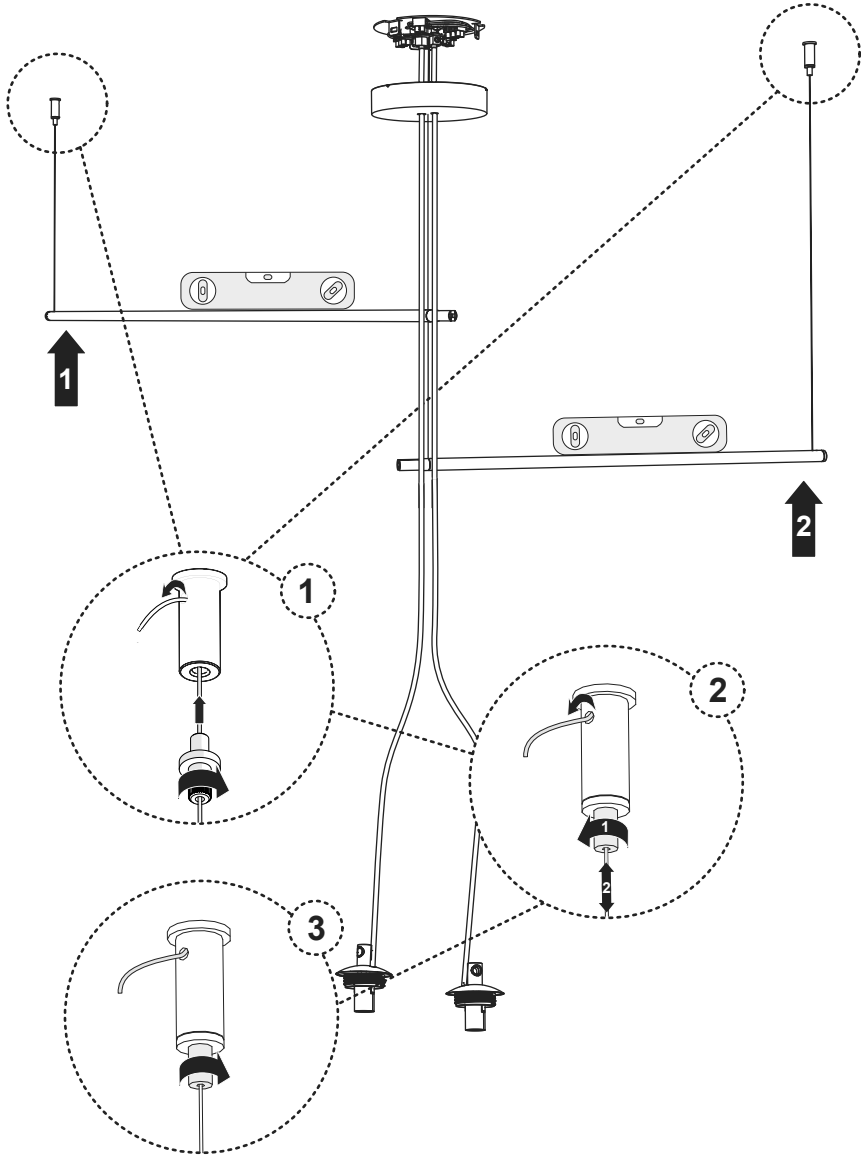
white/blanc/blanco		white/blanc/blanco
green/vert/verde		green/vert/verde
black/noir/negro		black/noir/negro



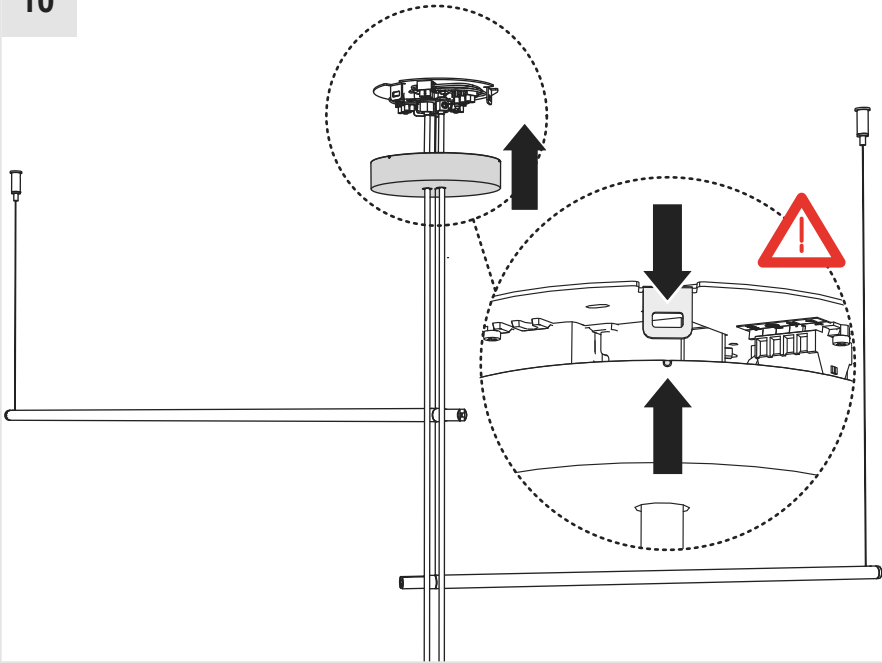
i



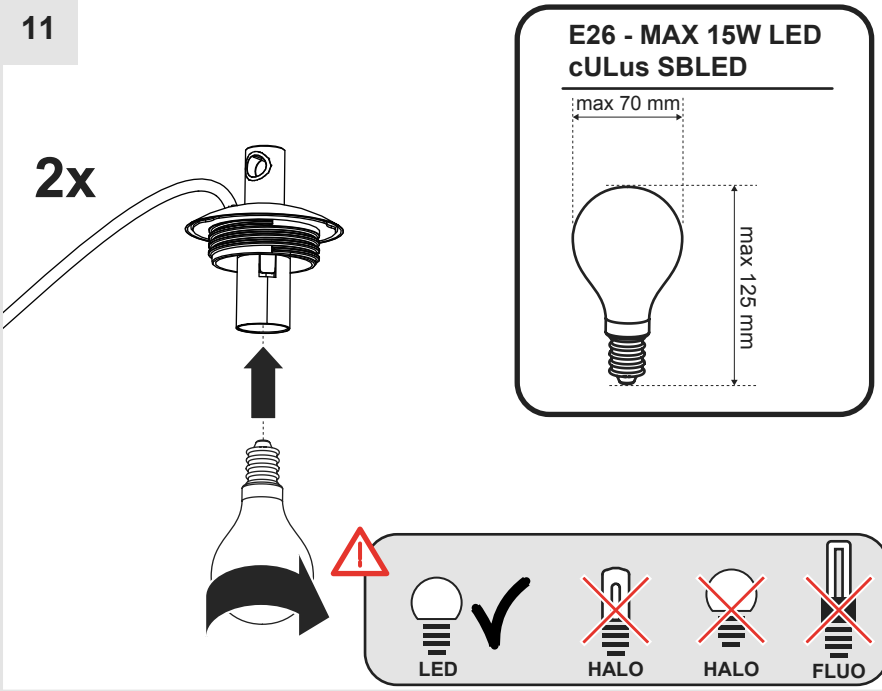




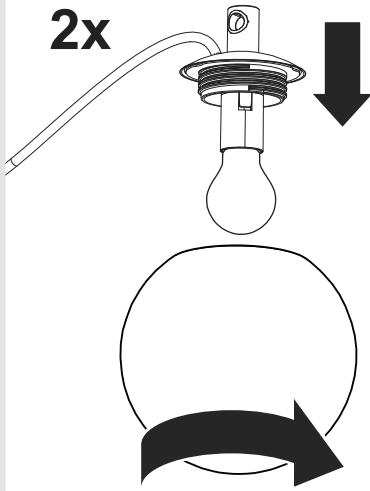
10



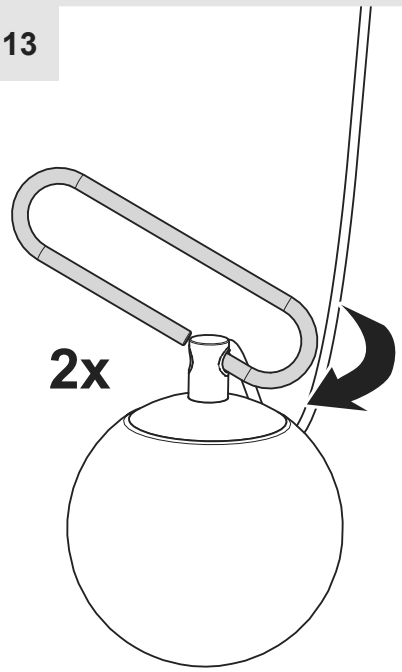
11



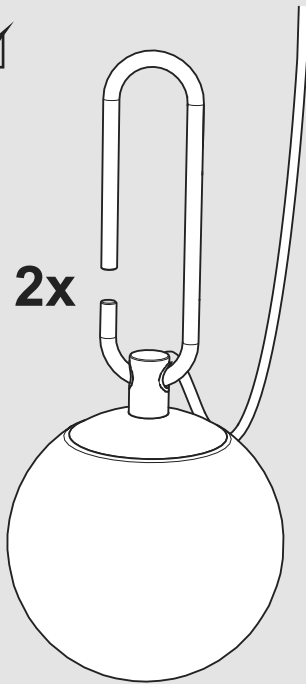
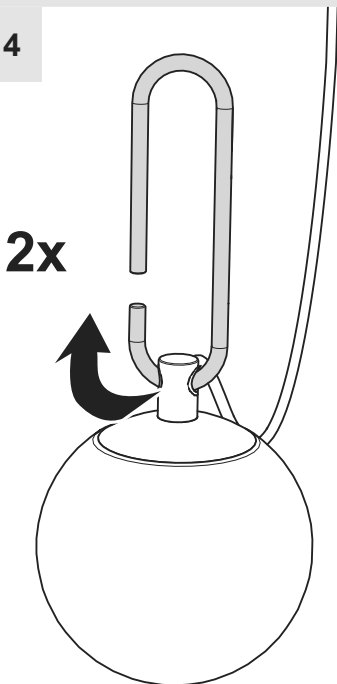
12



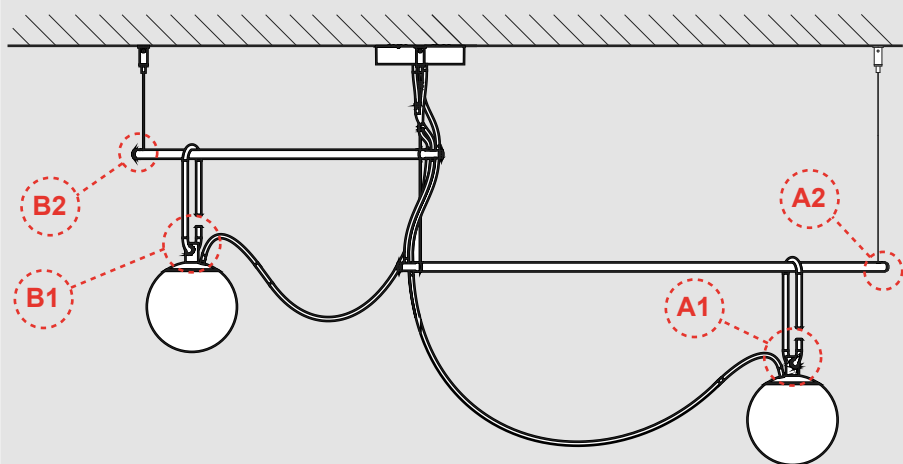
13



14

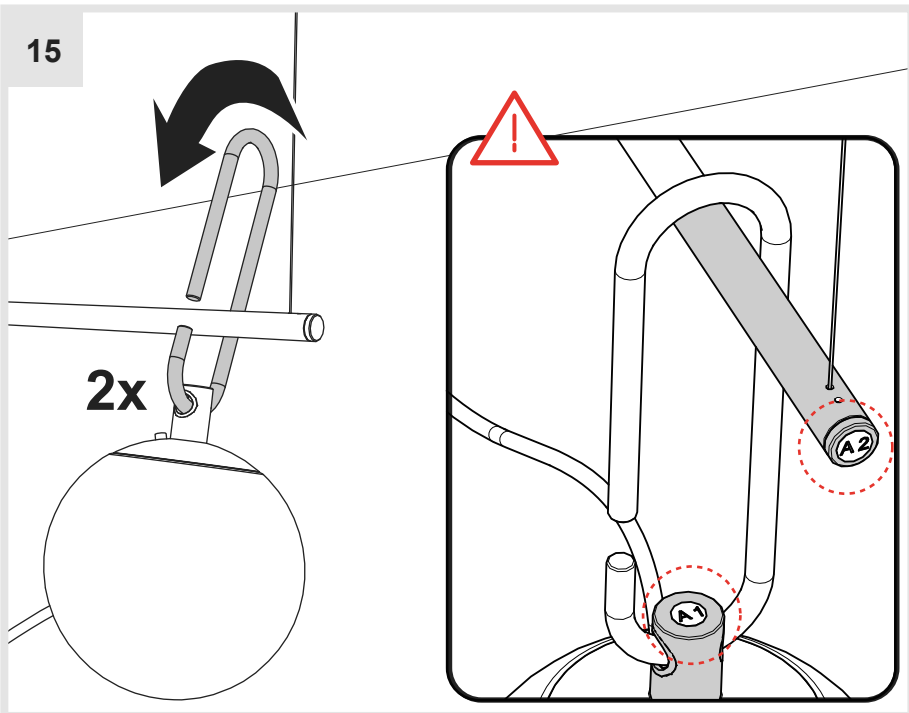


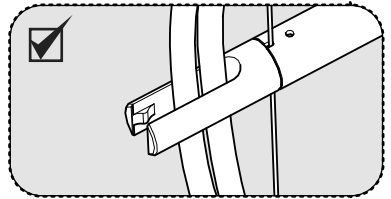
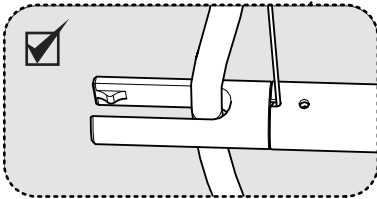
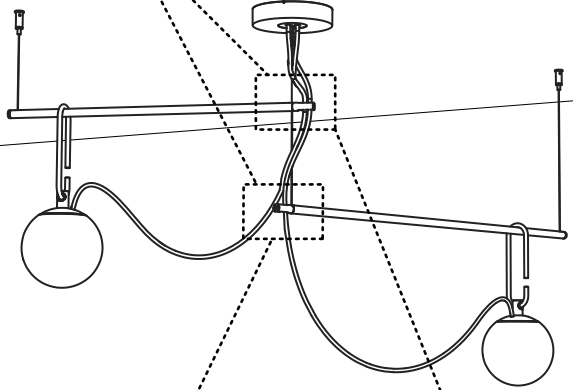
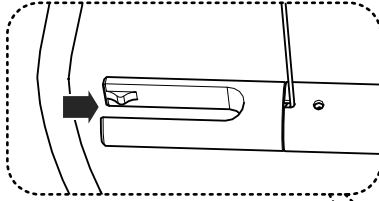
i



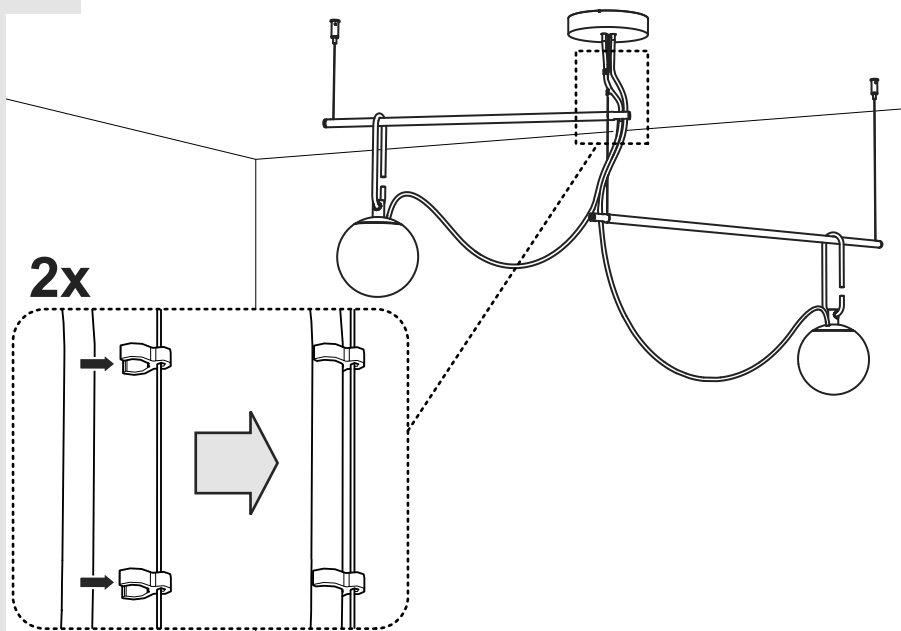
A1 ↔ **A2**
B1 ↔ **B2**

15

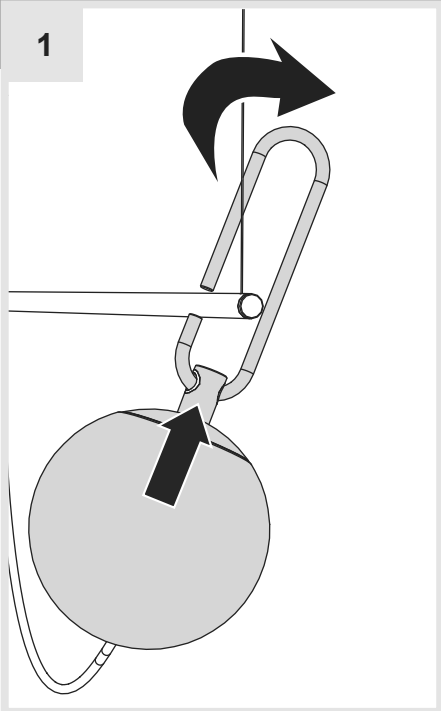




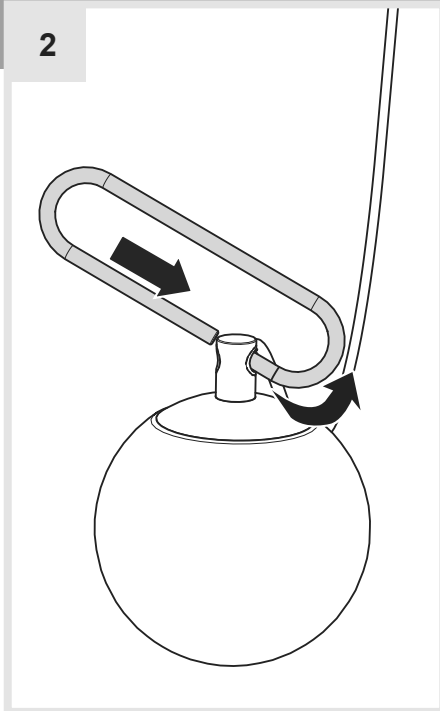
17



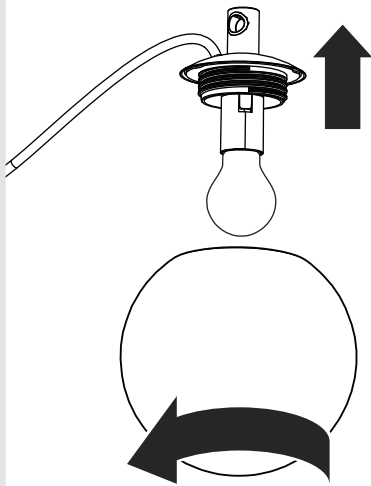
1



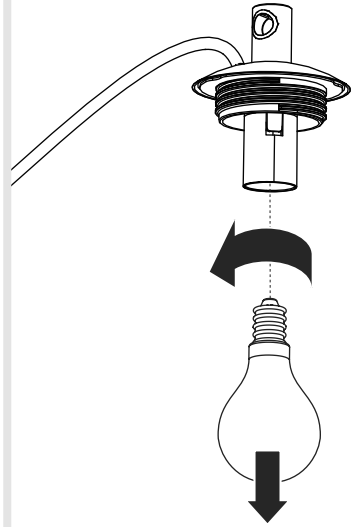
2



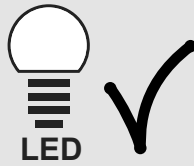
3



4



i



LED



HALO



HALO



FLUO



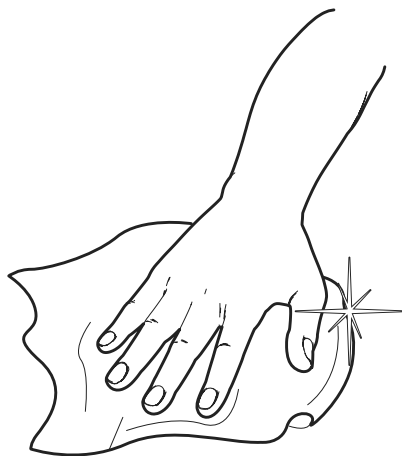
11

12

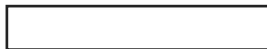
13

14

15



Artemide®



Artemide

via Bergamo, 18
20010 Pregnana M.se (MI)
ITALIA

tel. +39 02 935 181
fax +39 02 935 90 254
fax +39 02 935 90 496

www.artemide.com

VAT IT00846890150

cod. Y513001177