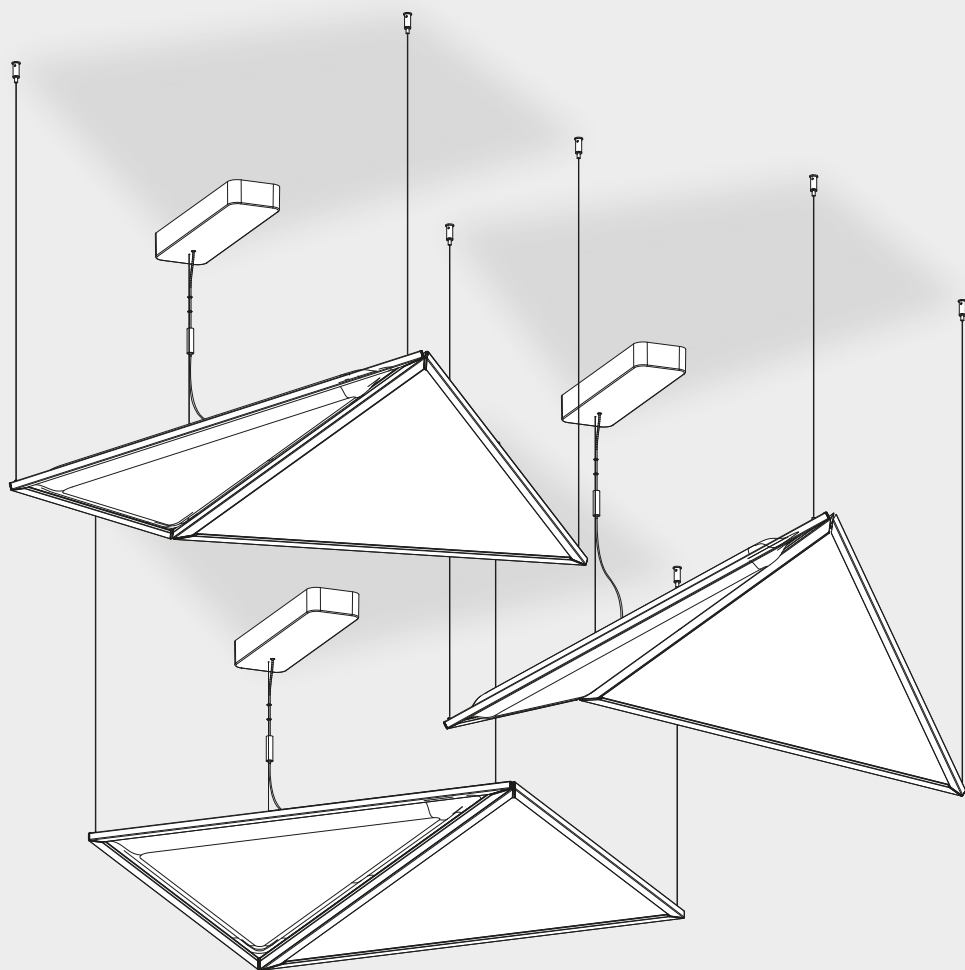


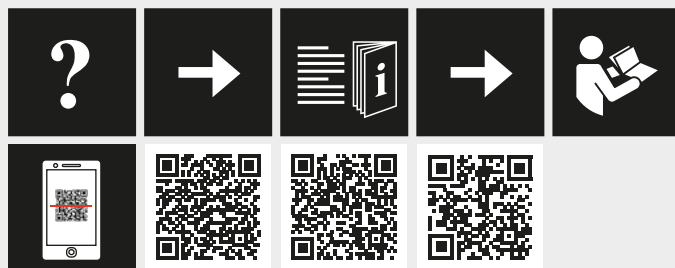
## FLEXIA

design  
Mario Cucinella





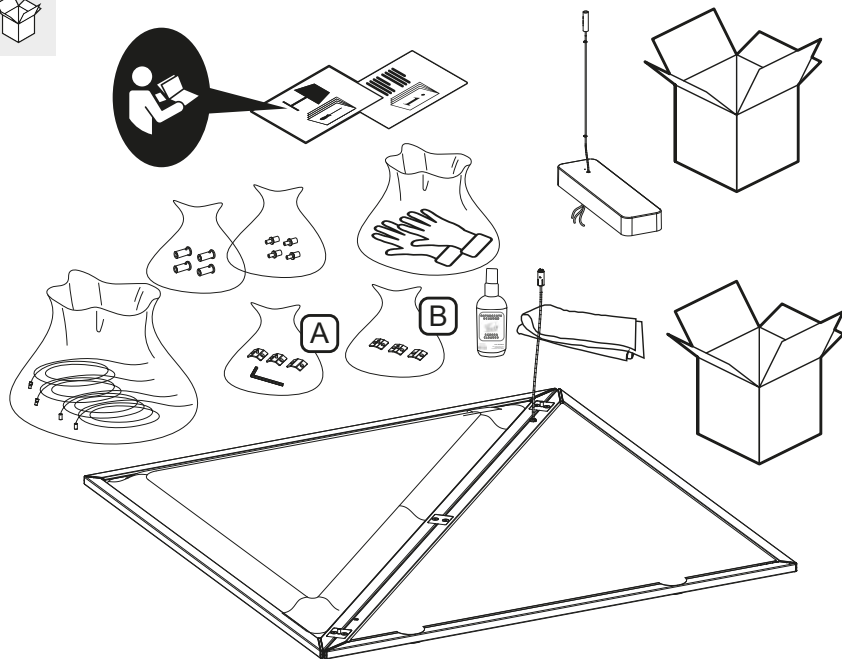
i



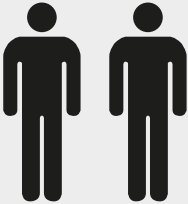
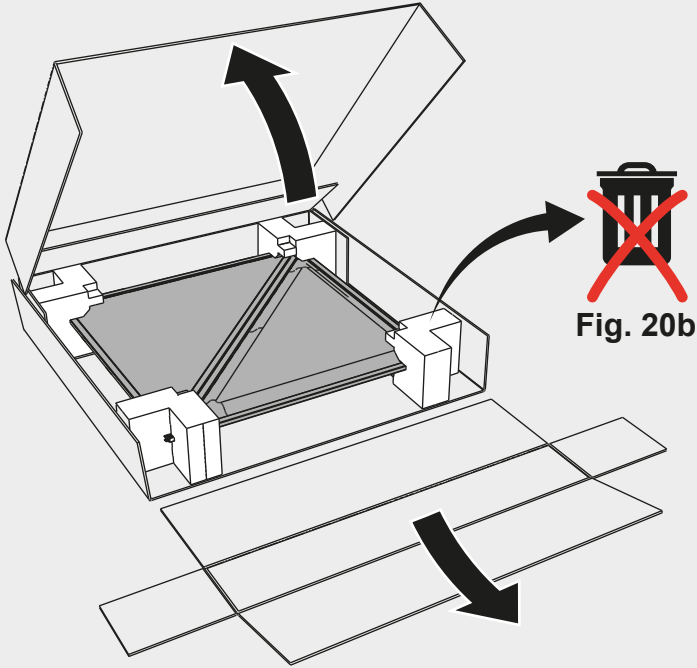
GET IT ON  
Google Play

Download on the  
App Store

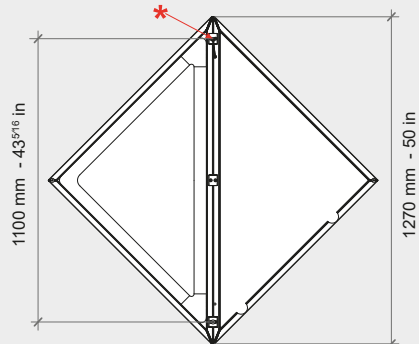
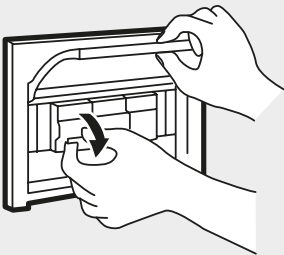
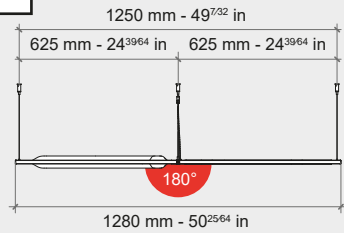
Artemide App  
Quick Starting Guide



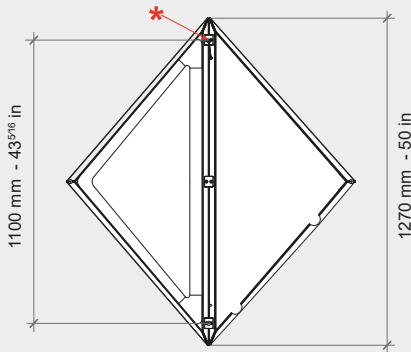
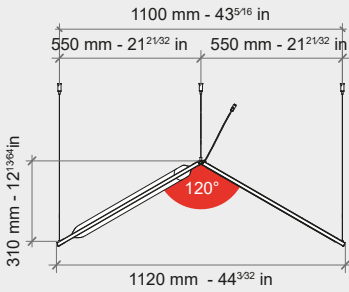
**i**



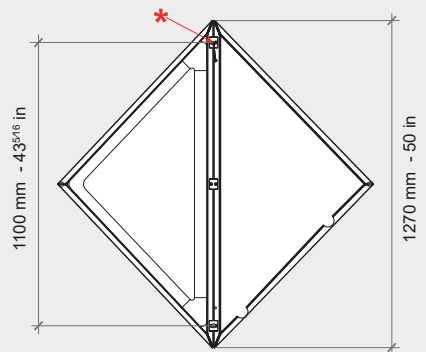
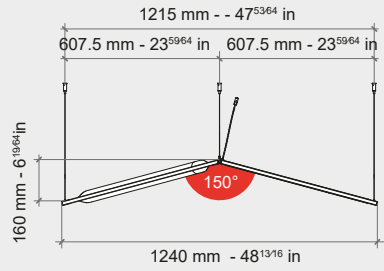
**180°**



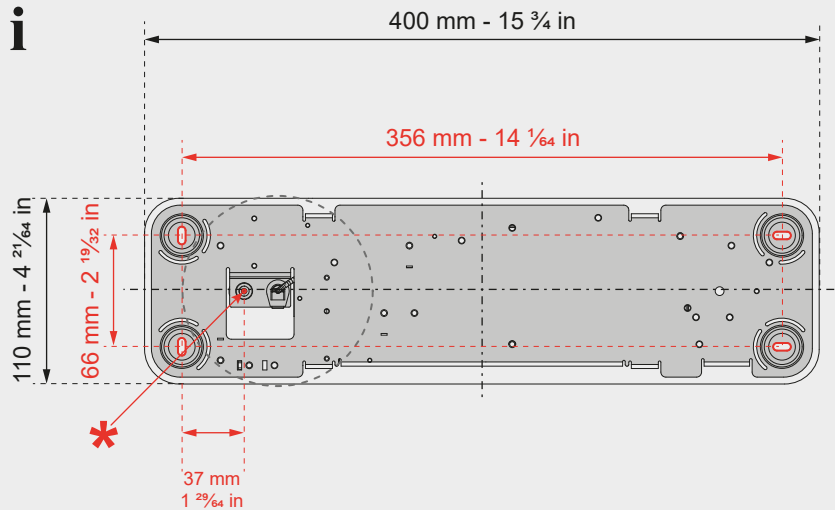
120°

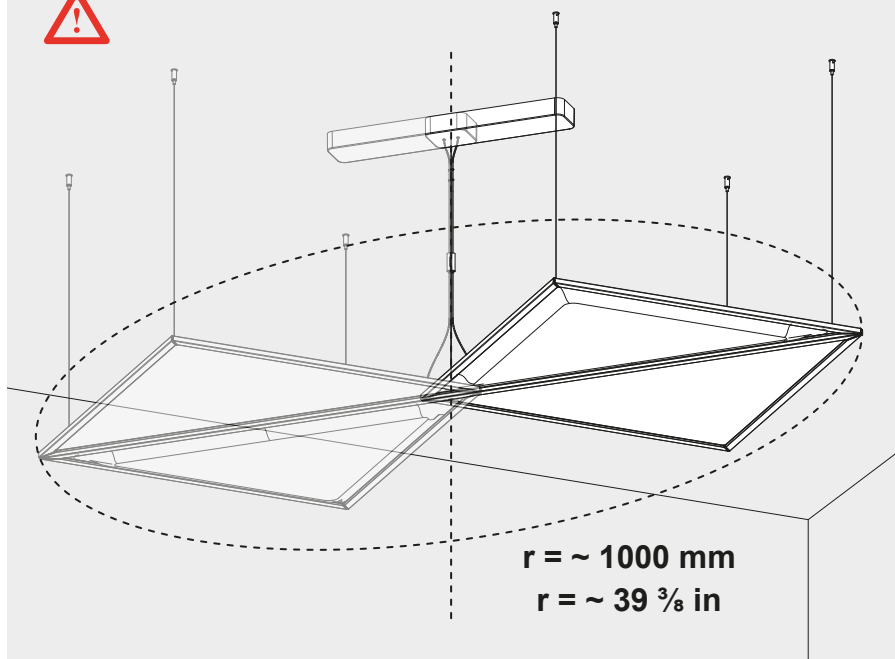


150°

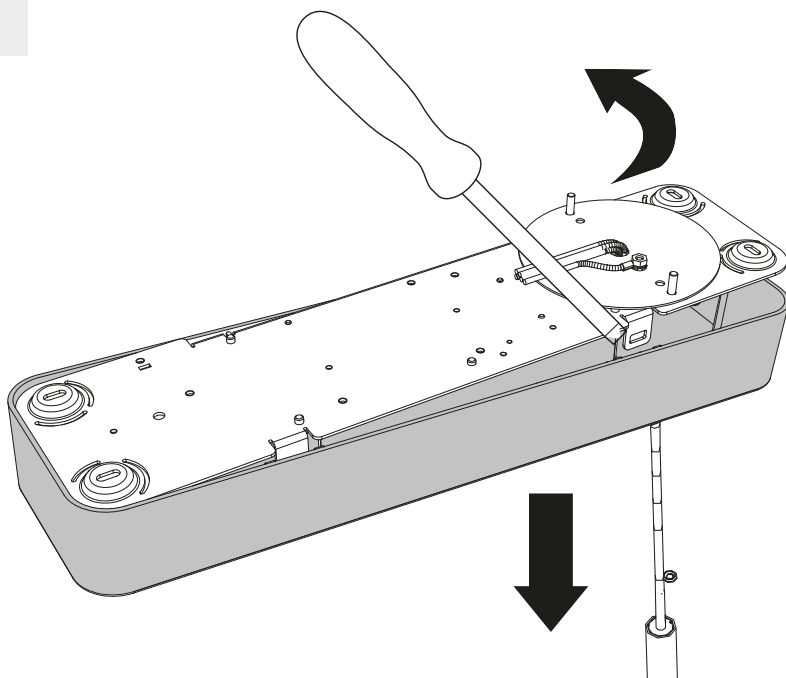


**i**

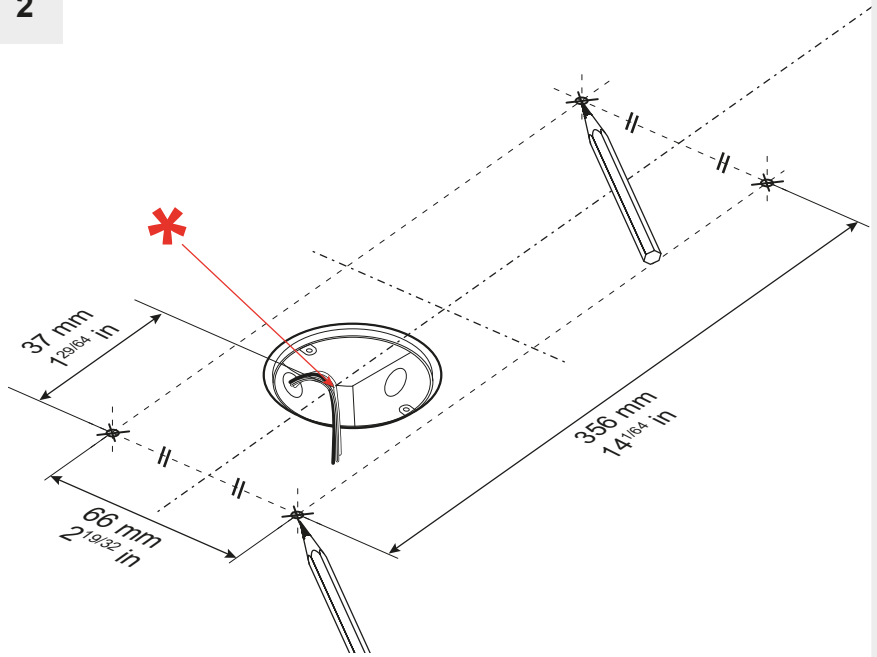




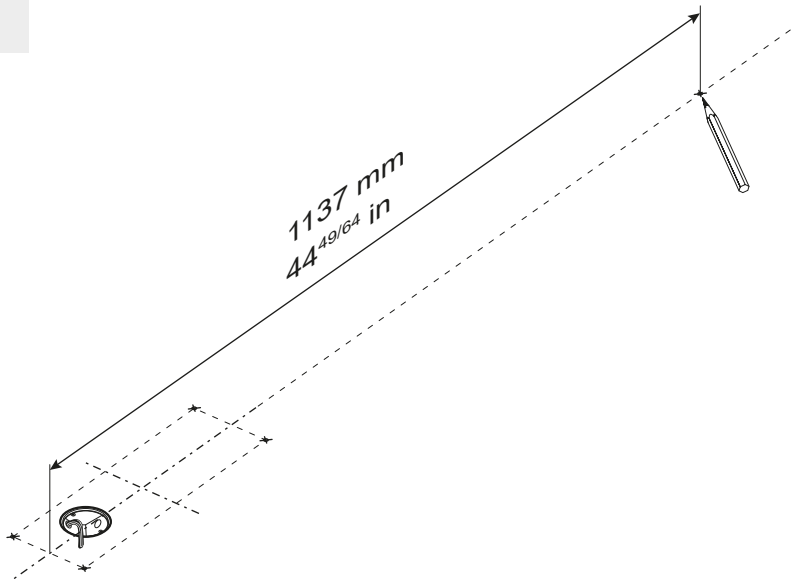
1



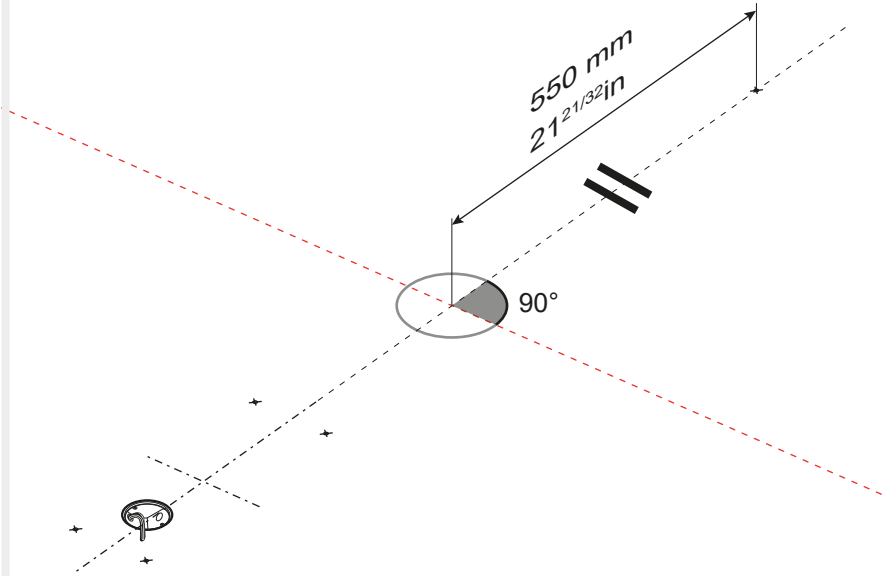
2



3

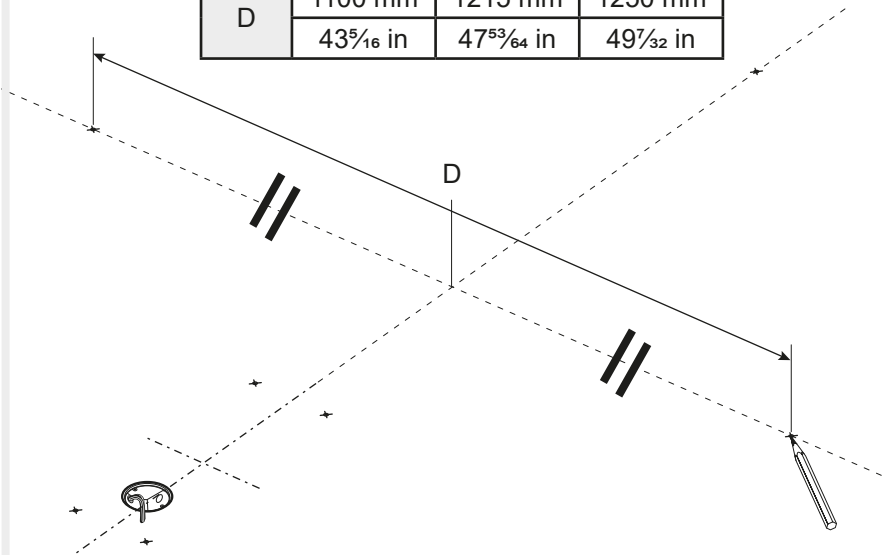


4

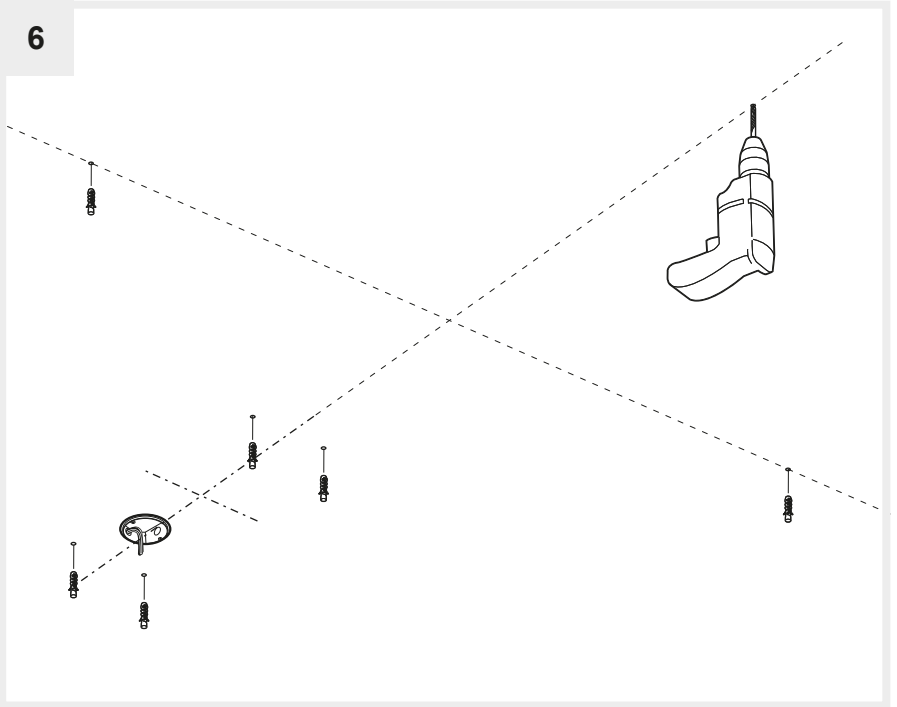


5

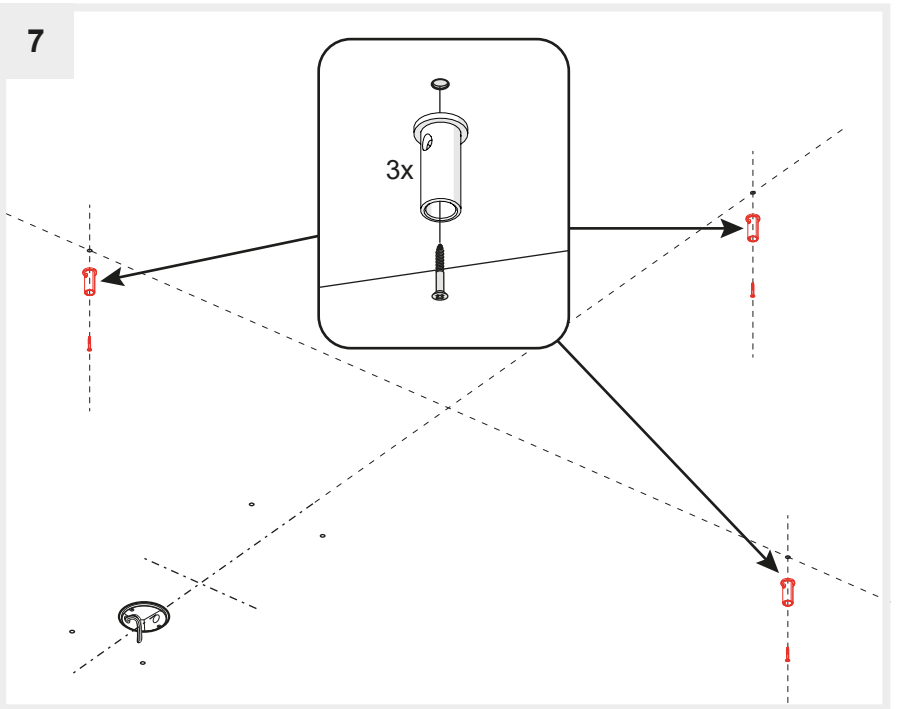
	120°	150°	180°
D	1100 mm	1215 mm	1250 mm
	43 <sup>5</sup> / <sub>16</sub> in	47 <sup>53</sup> / <sub>64</sub> in	49 <sup>7</sup> / <sub>32</sub> in



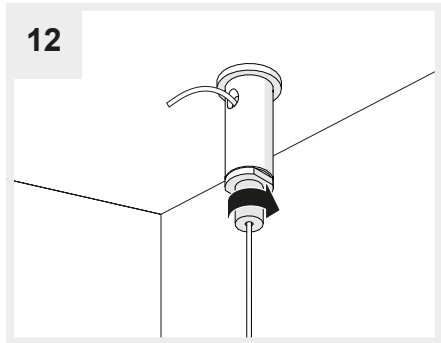
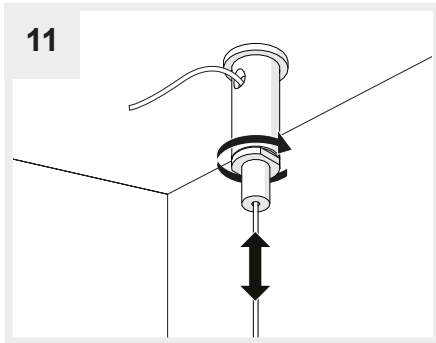
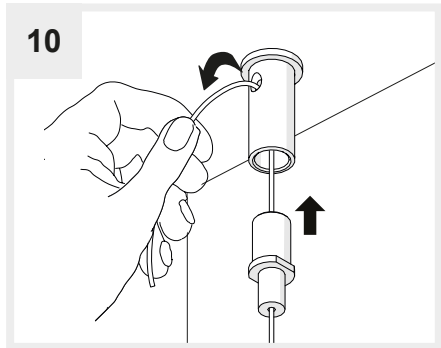
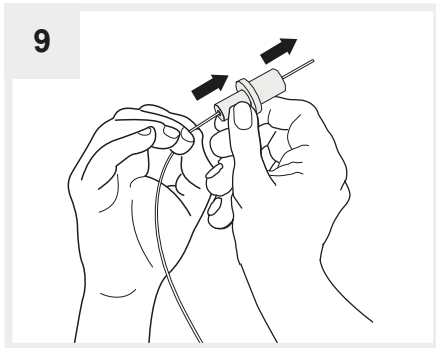
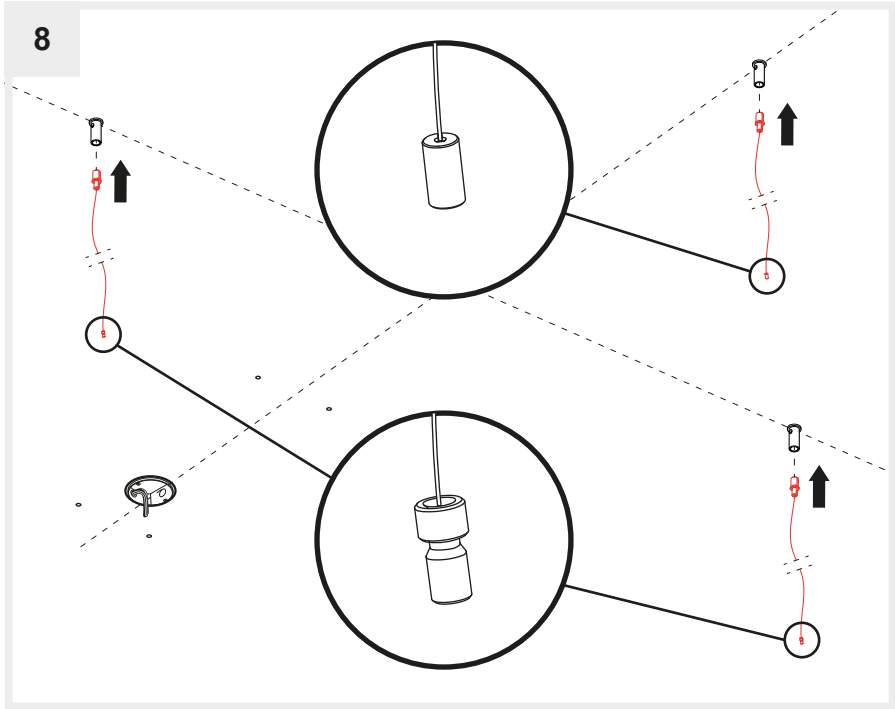
6

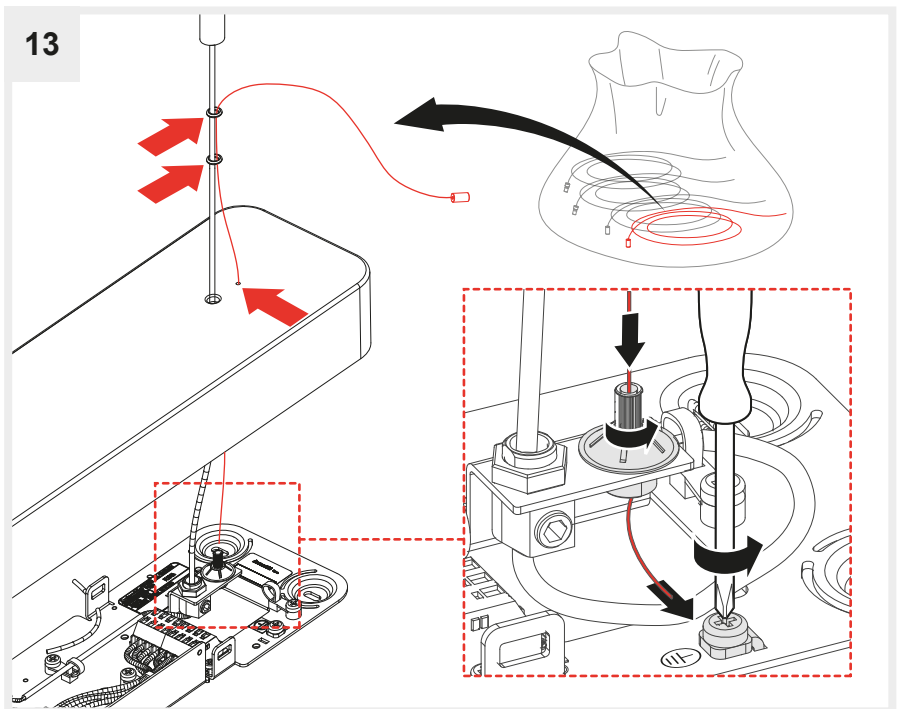
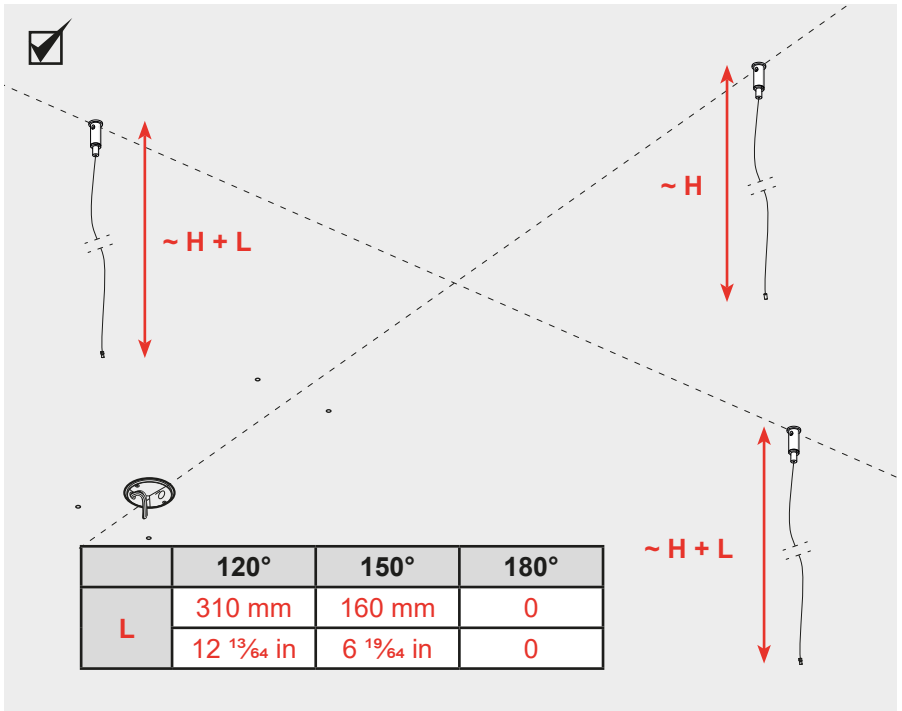


7

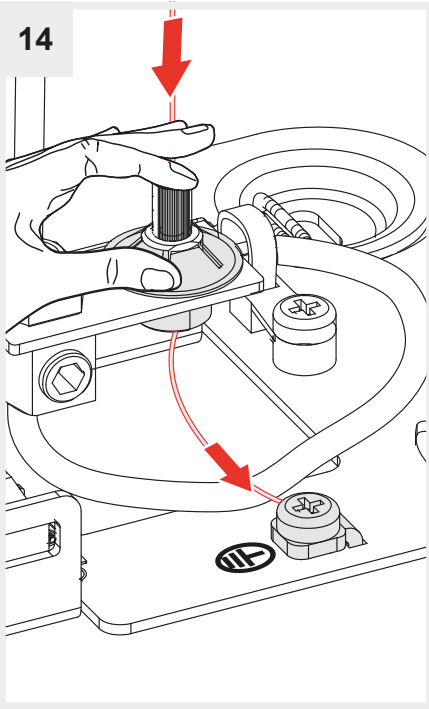




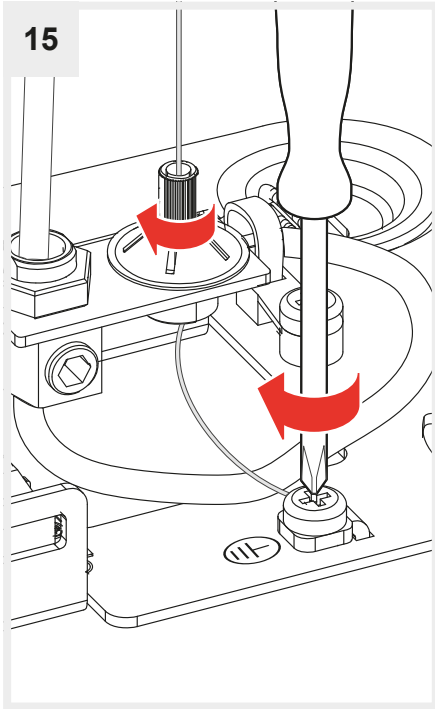




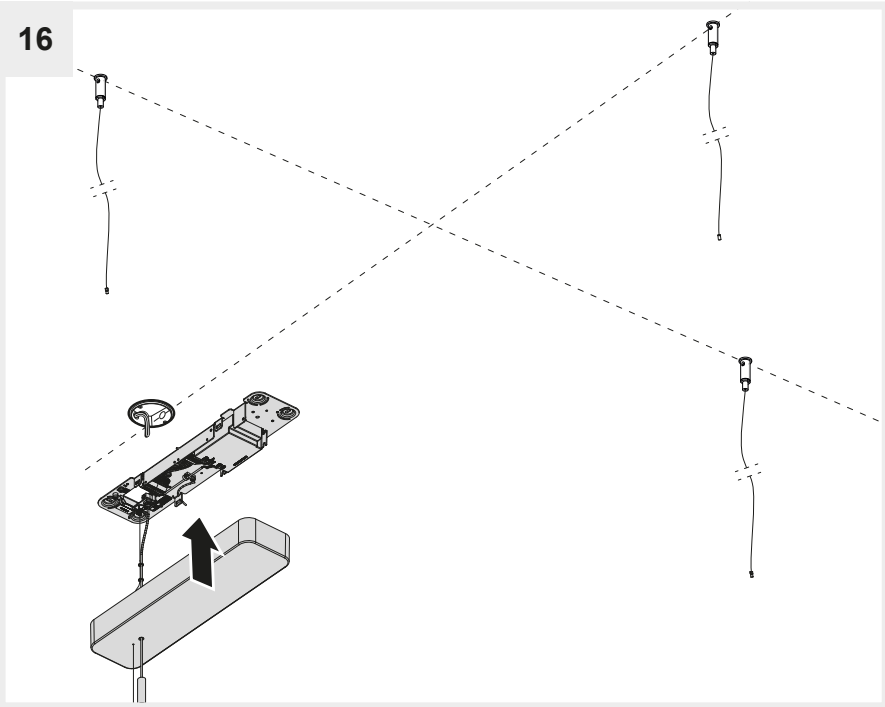
14



15



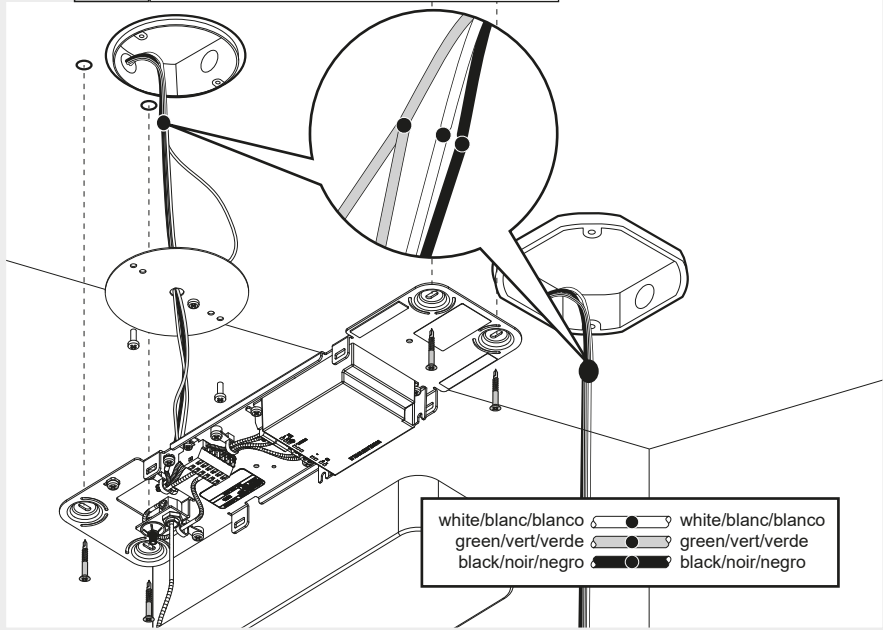
16



17a



For voltage refer to lamp driver  
 Pour la tension, se référer au driver de la lampe  
 Para el voltaje consultar el alimentador de la lámpara

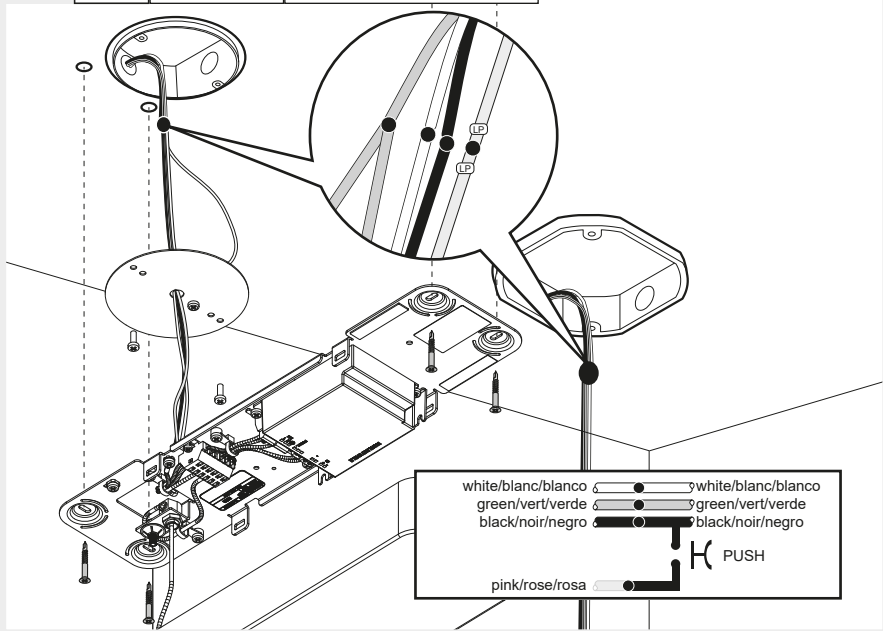


17b



120V

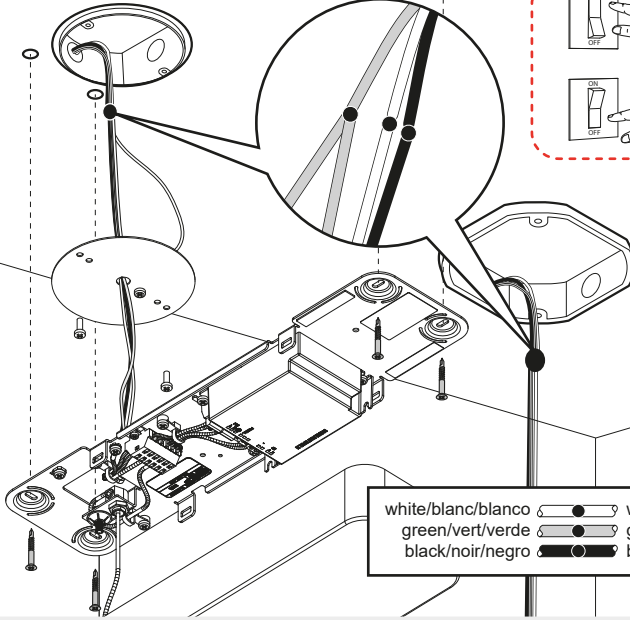
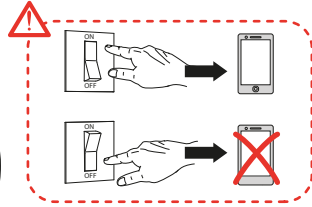
Push dimming  
 Regulable mediante Push



17c



120V



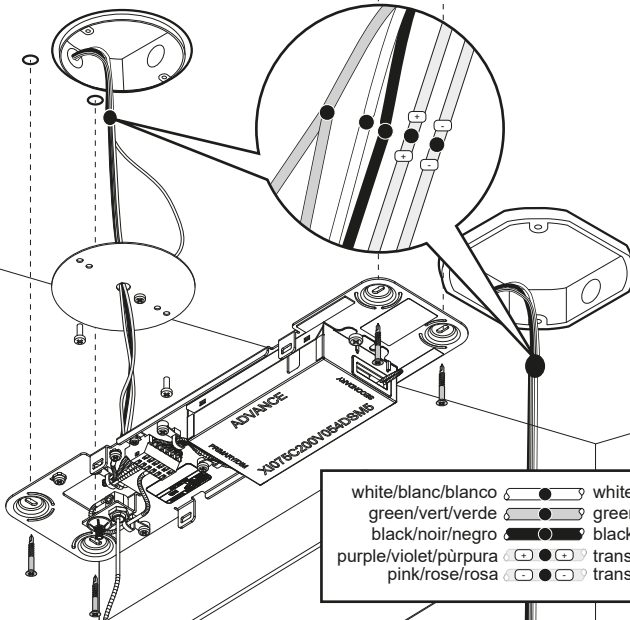
white/blanc/blanco	○ ● ○	white/blanc/blanco
green/vert/verde	○ ● ○	green/vert/verde
black/noir/negro	○ ● ○	black/noir/negro

17d



120V-277V

0-10V dimming control  
Dimmable 0-10V  
Regulable mediante control 0-10V



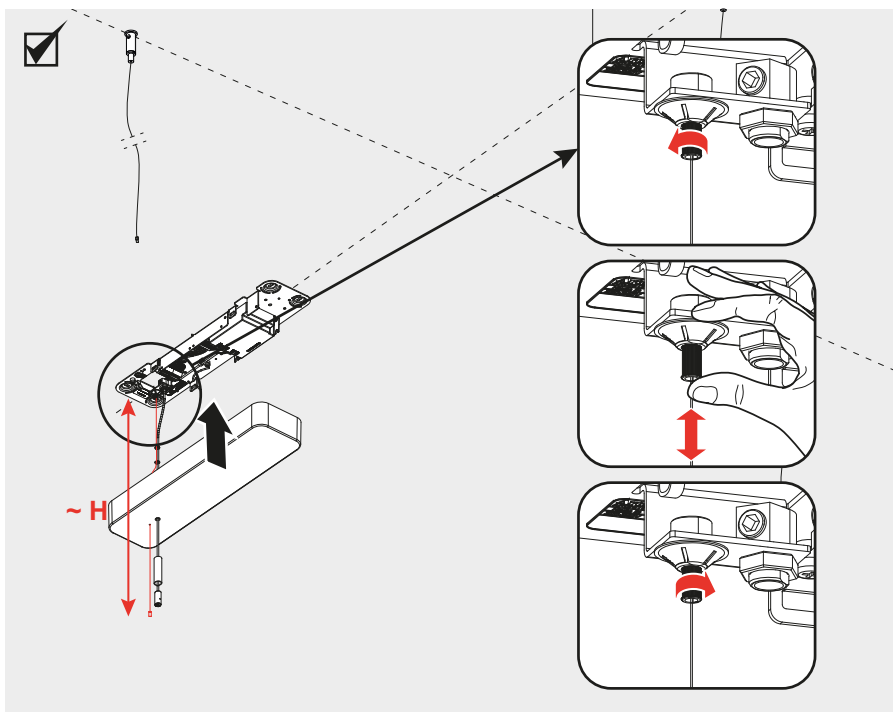
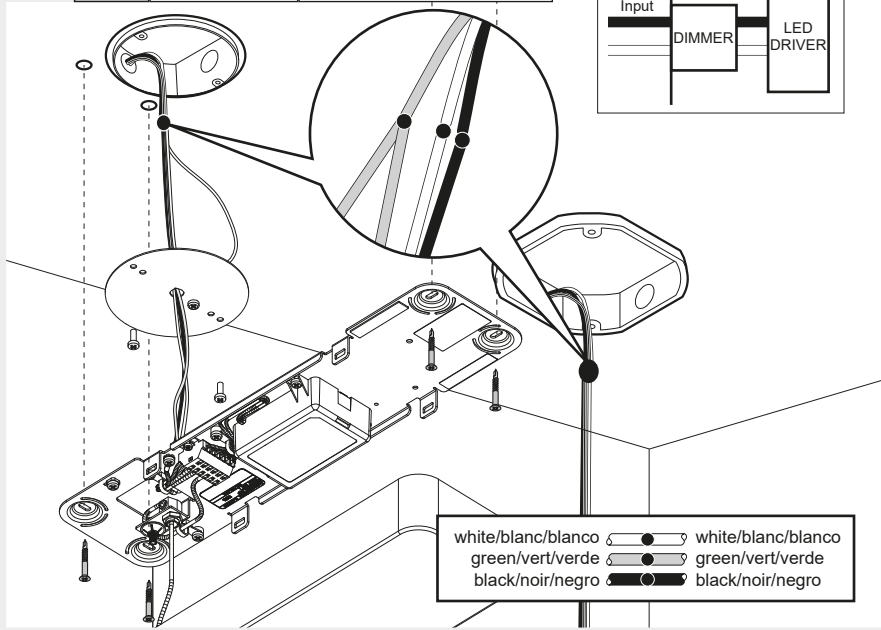
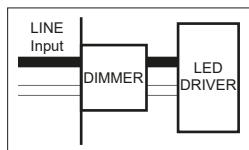
white/blanc/blanco	○ ● ○	white/blanc/blanco
green/vert/verde	○ ● ○	green/vert/verde
black/noir/negro	○ ● ○	black/noir/negro
purple/violet/pùrpura	○ ● ○	transparent/transparente
pink/rose/rosa	○ ● ○	transparent/transparente

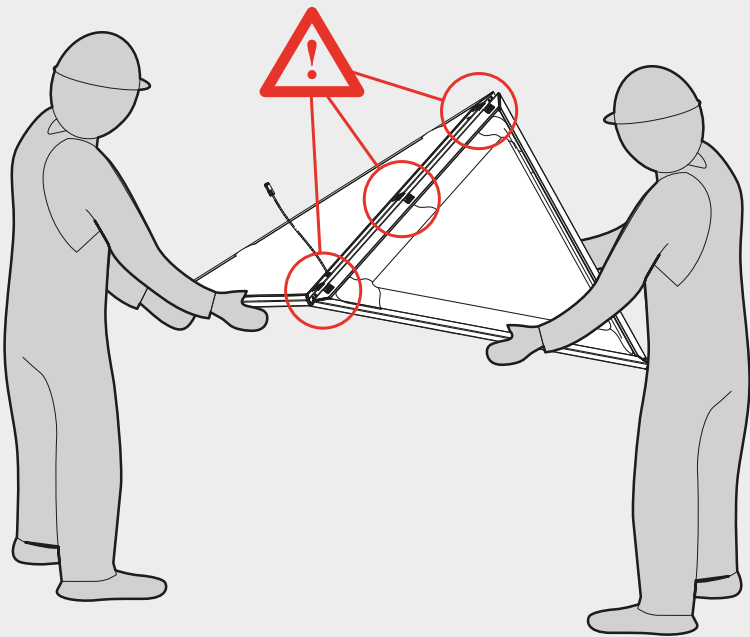
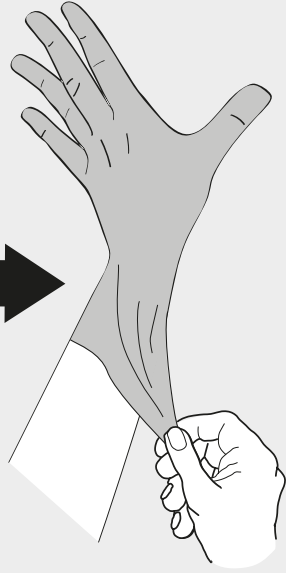
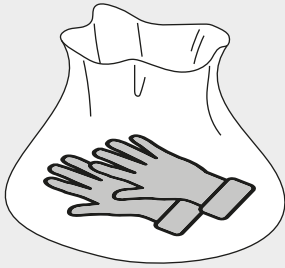
17e

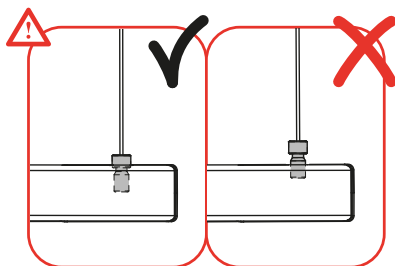
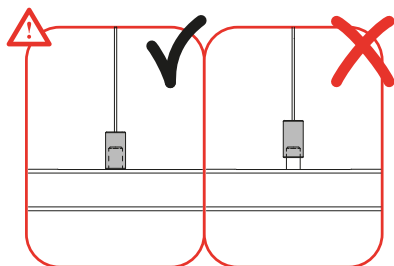
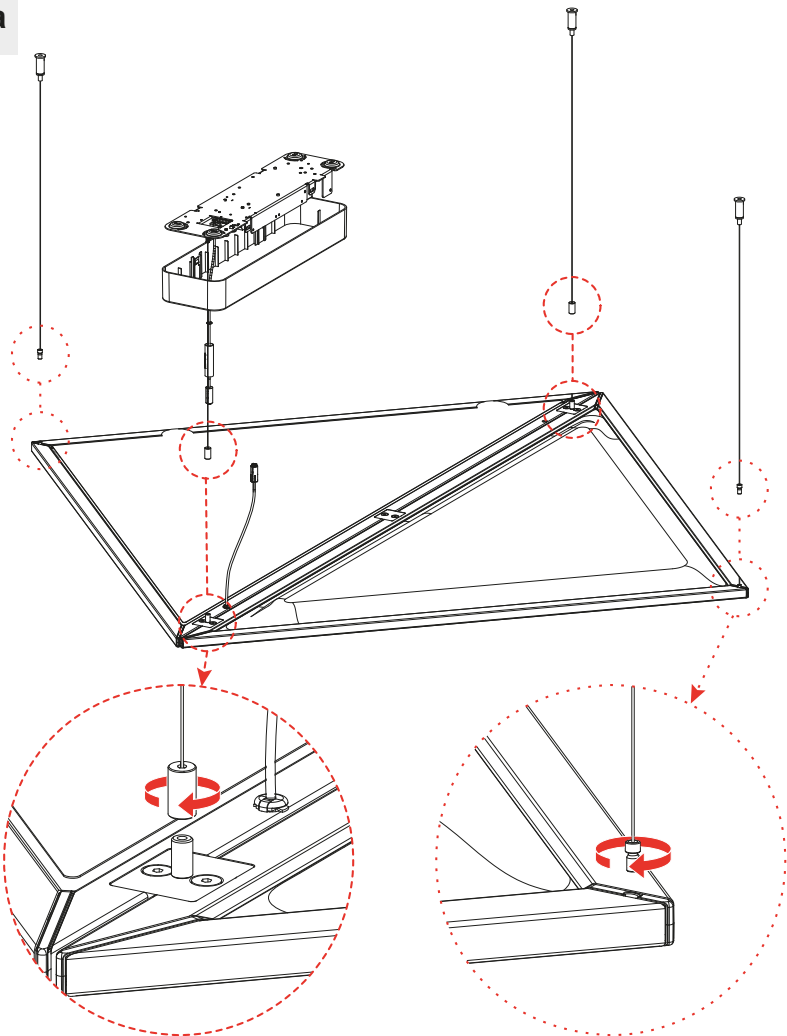


120V

Phase cut  
Coupure de phase  
Corte de fase





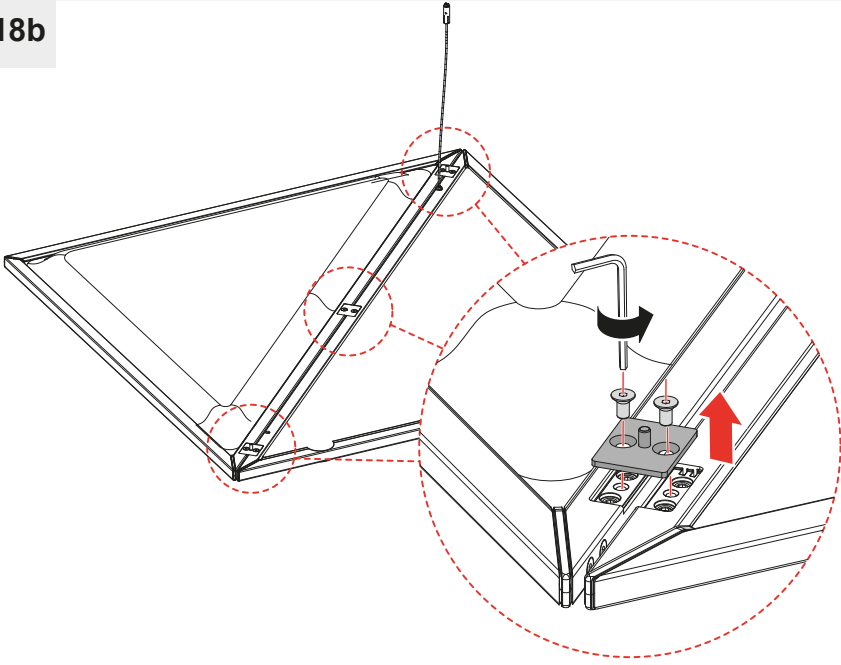




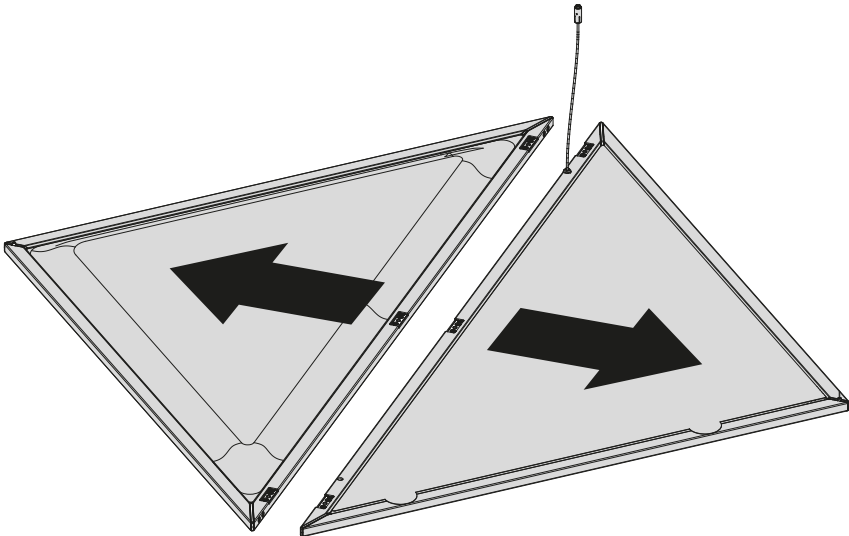
18b

120°

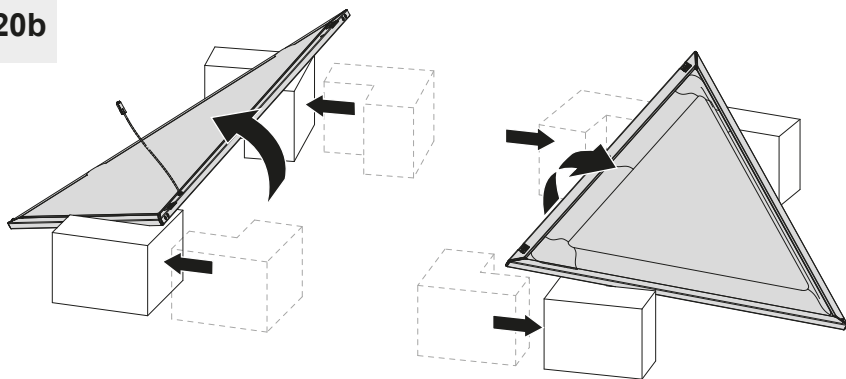
150°



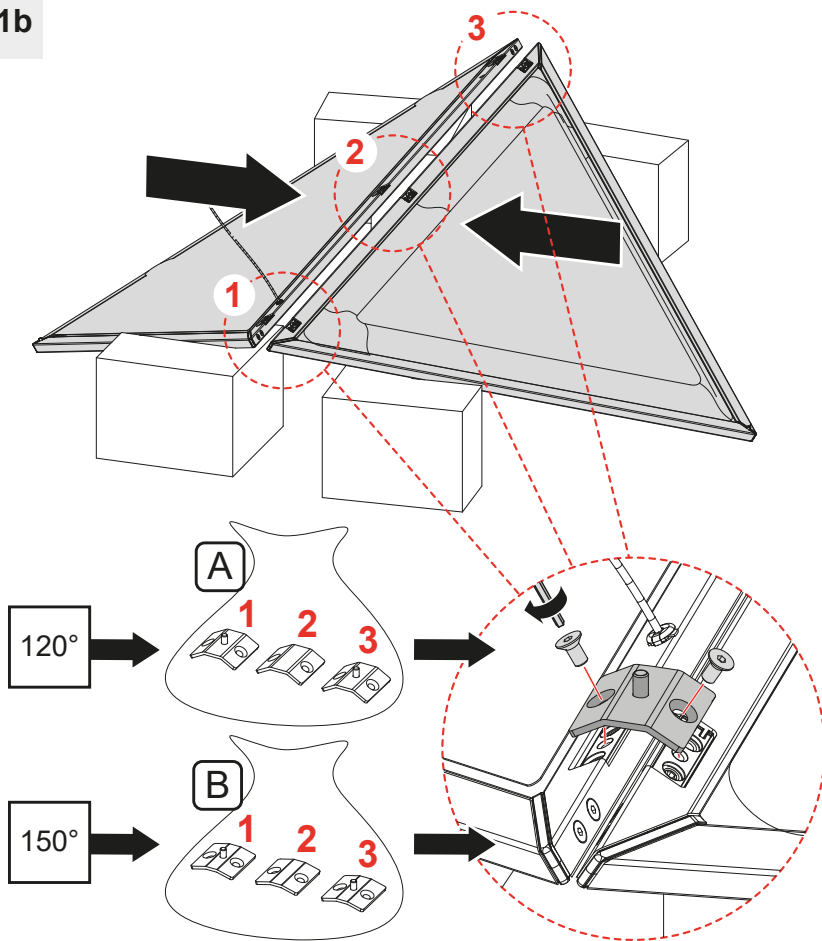
19b



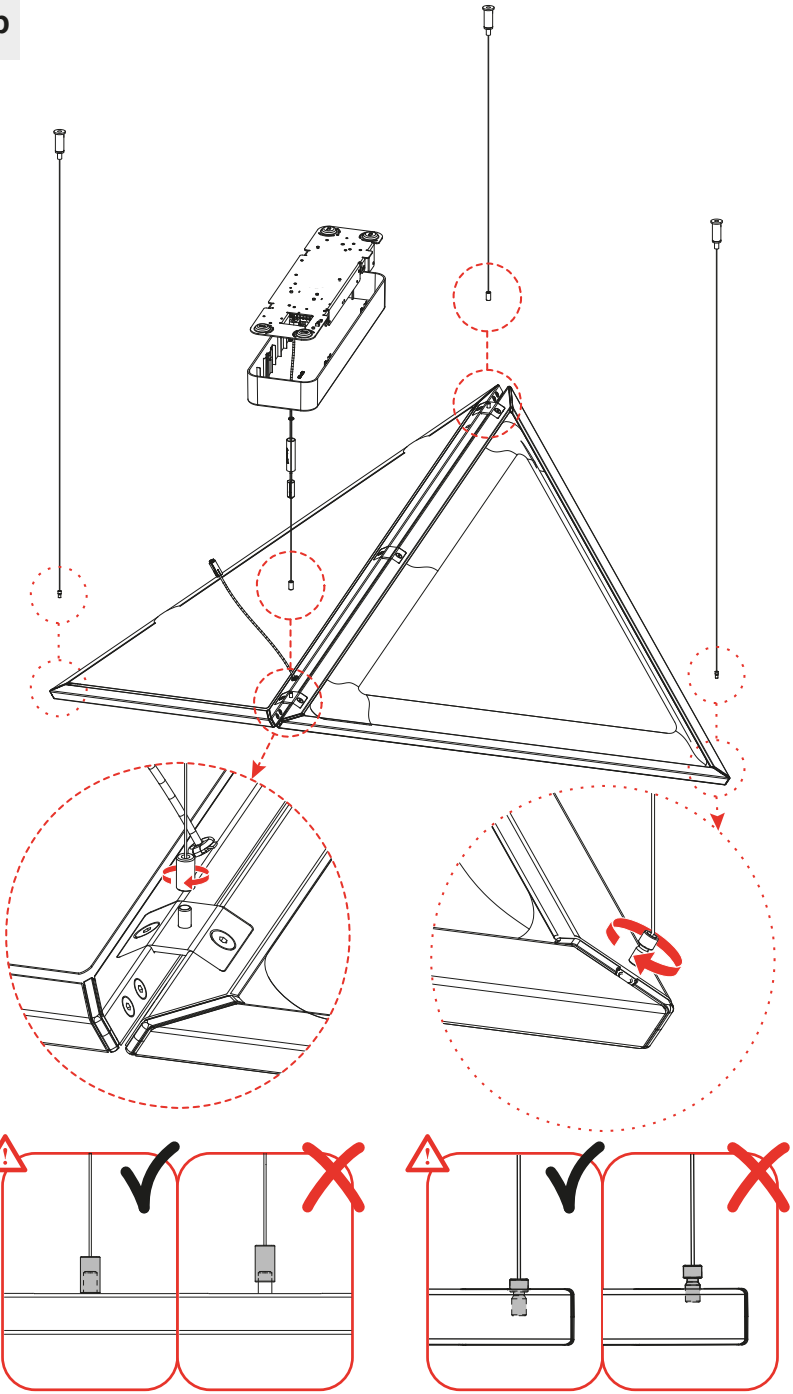
20b



21b

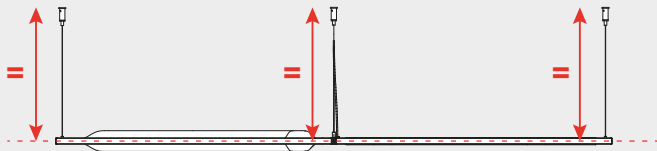


22b

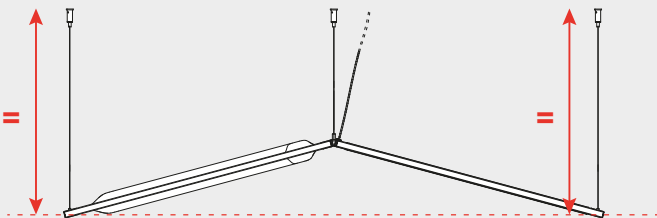




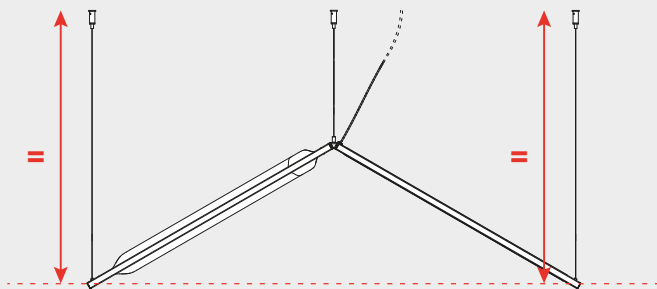
180°



150°



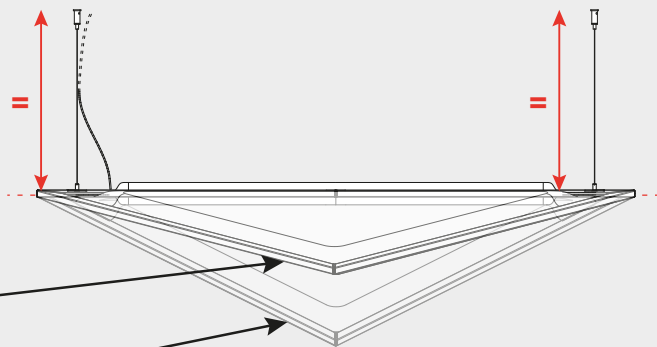
120°

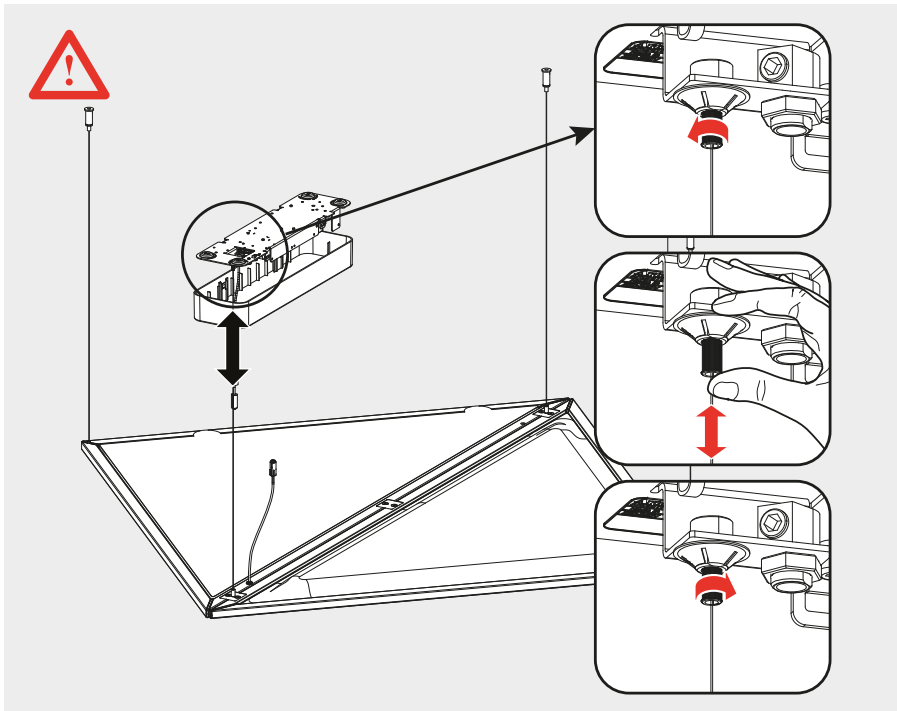
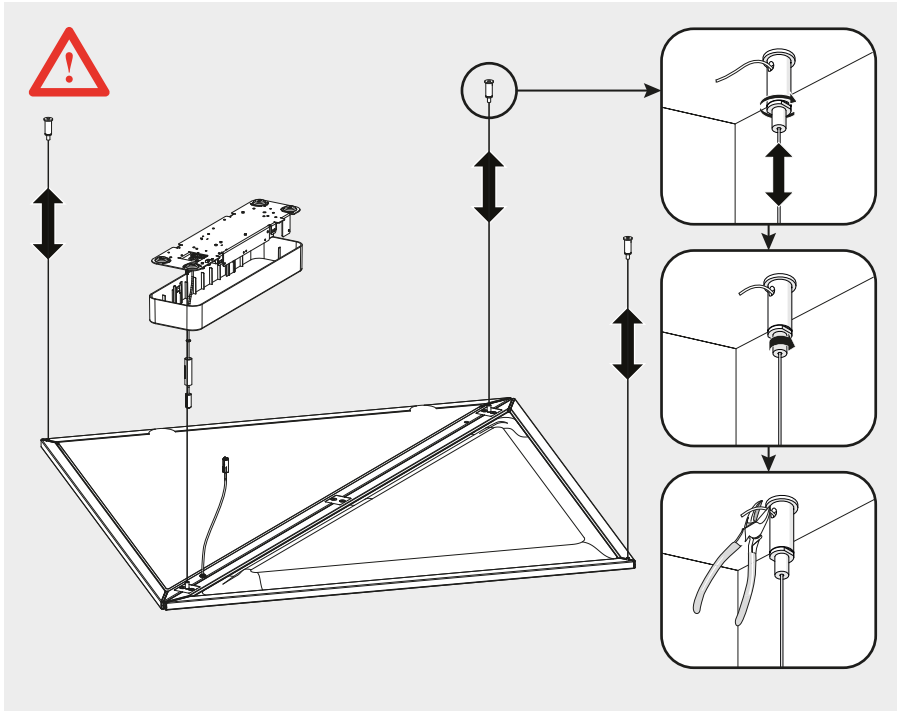


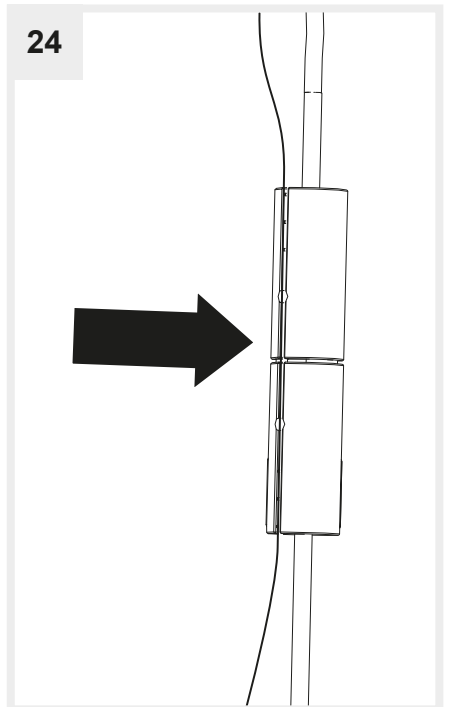
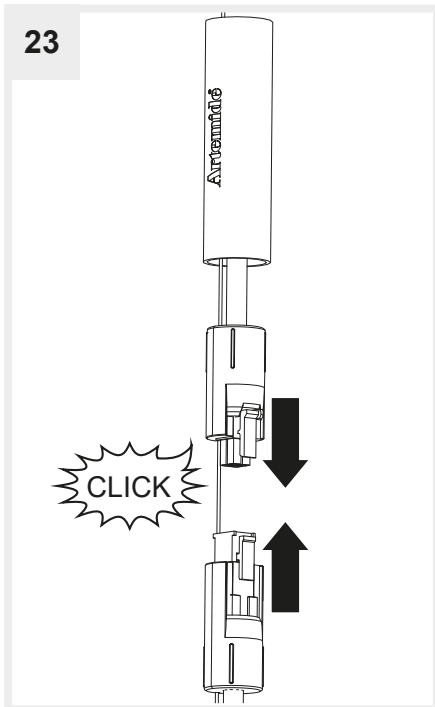
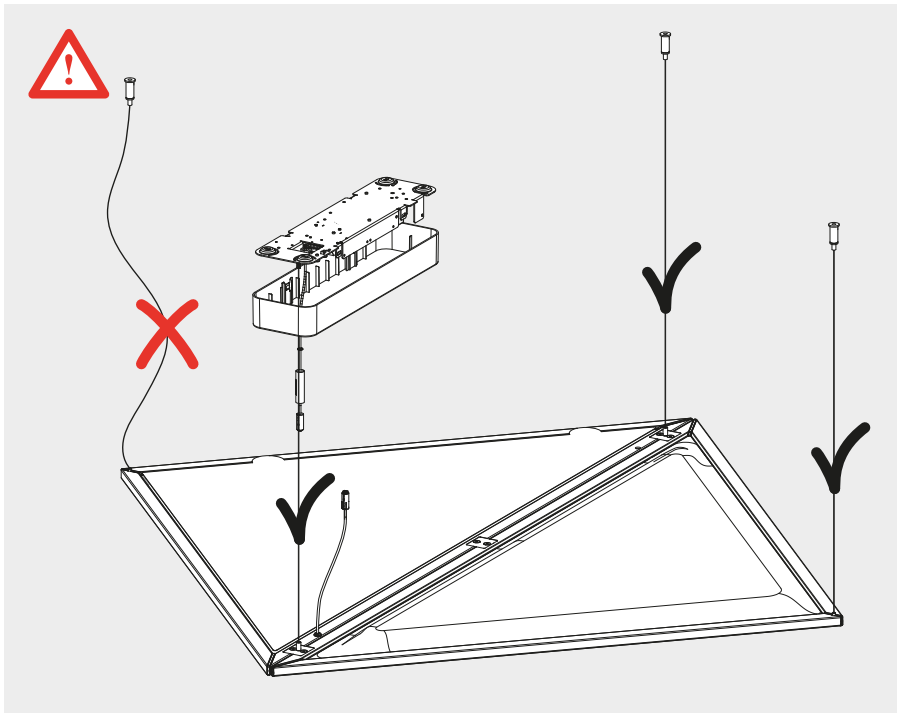
180°

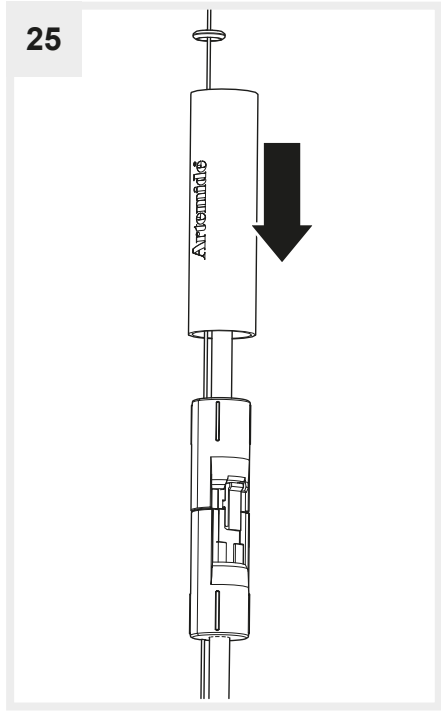
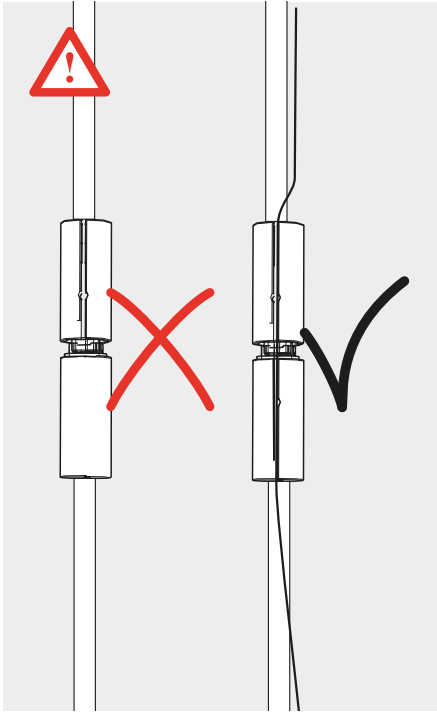
150°

120°

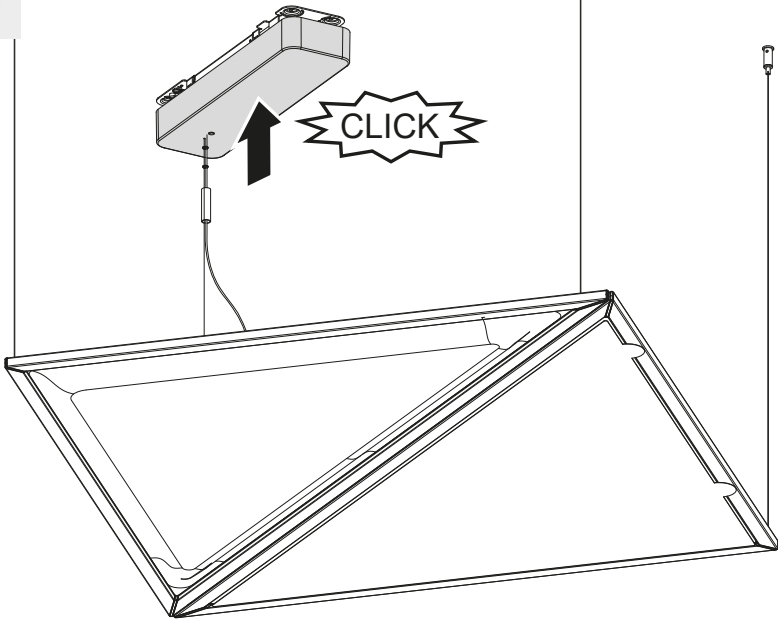




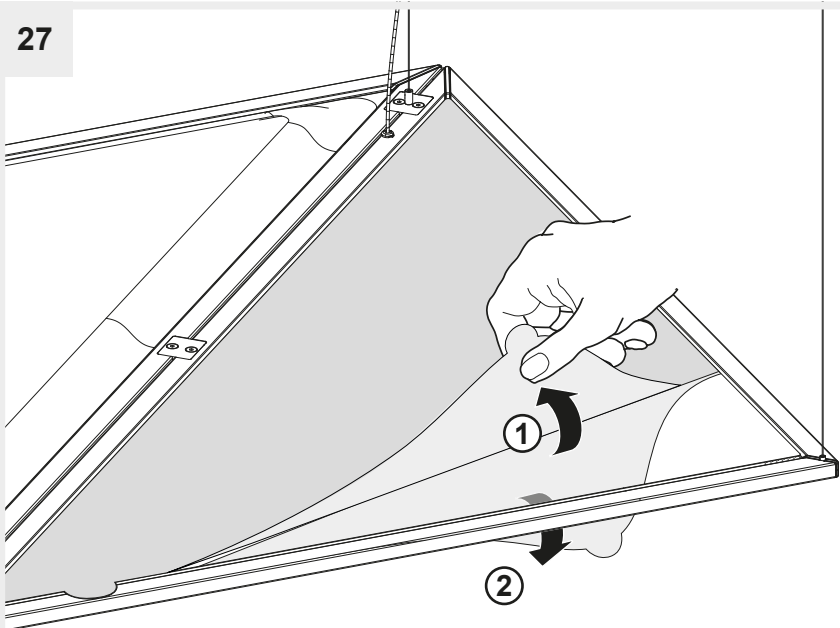




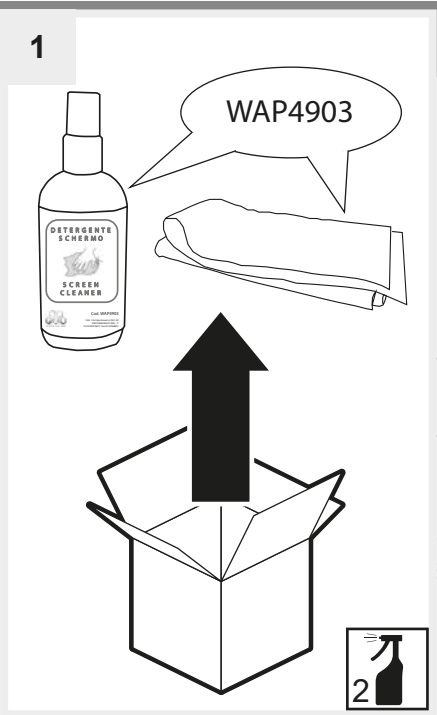
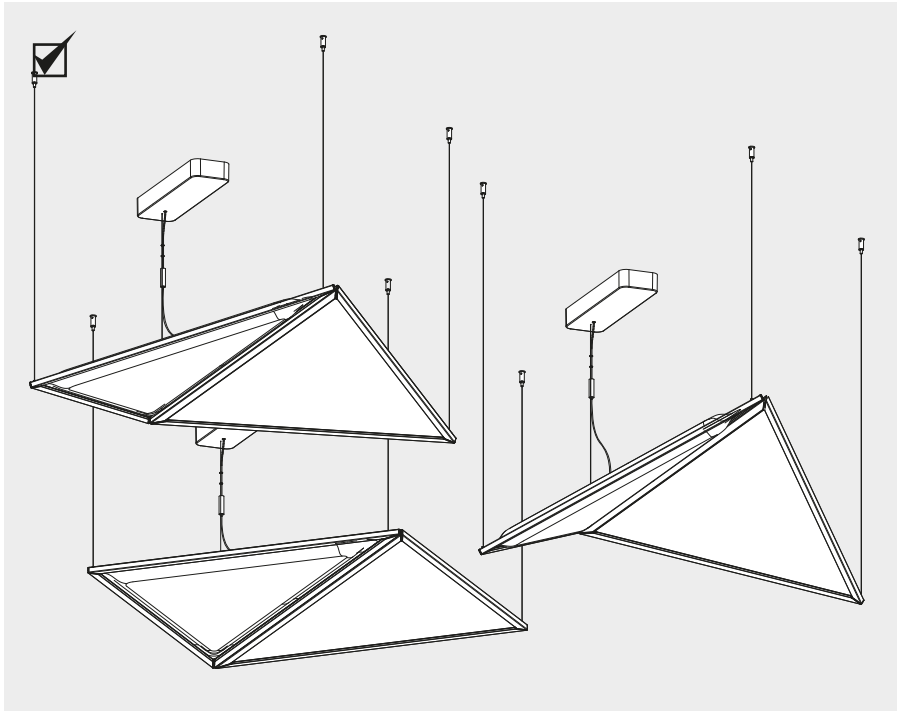
26

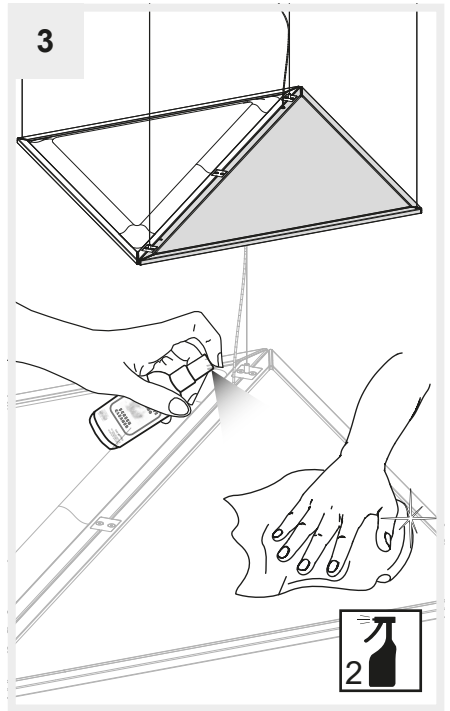
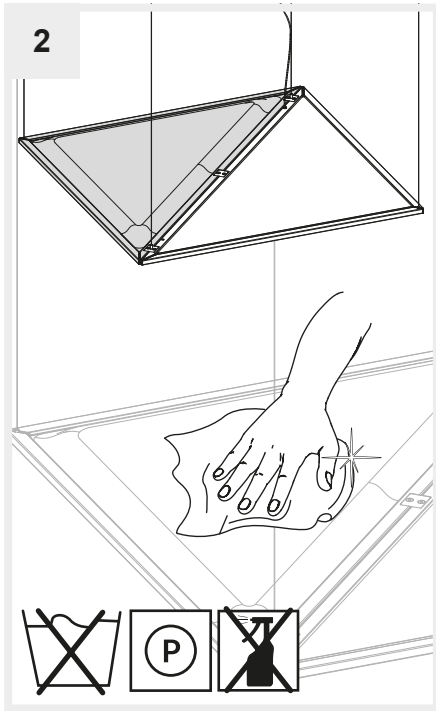


27











# Artemide®



## **Artemide**

via Bergamo, 18  
20006 Pregnana M.se (MI)  
ITALIA

tel. +39 02 935 181  
fax +39 02 935 90 254  
fax +39 02 935 90 496

[www.artemide.com](http://www.artemide.com)

VAT IT00846890150

## **Artemide Inc.**

250 Karin Lane  
Hicksville, NY 11801

tel. 631 694 9292  
Toll Free 1-877-Art-9111  
Fax 631 694 9275

[www.artemide.net](http://www.artemide.net)

## **Artemide Ltée/Ltd.**

11105 rue Renaude Lapointe  
Montréal, Québec H1J 2T4

Tel. 514 323 6537  
Toll Free 888 777 2783  
Fax 514 323 8864

[www.artemide.net](http://www.artemide.net)

cod. Y513001708A