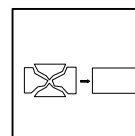
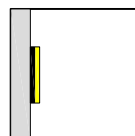
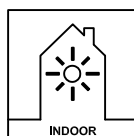
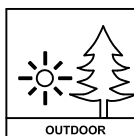
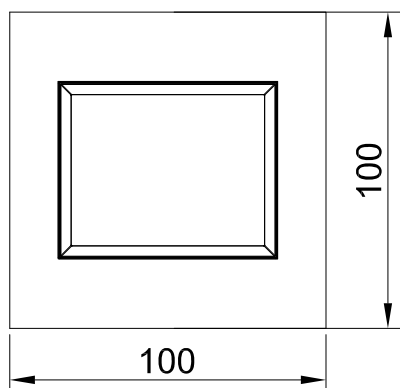
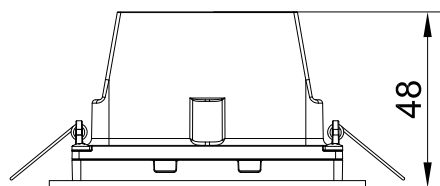


## Aria Mini Incasso wet Location

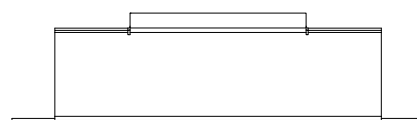
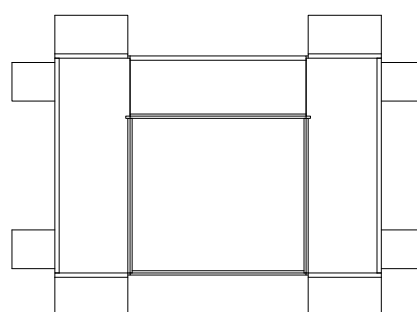
Designer Massimo Sacconi



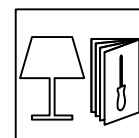
Product

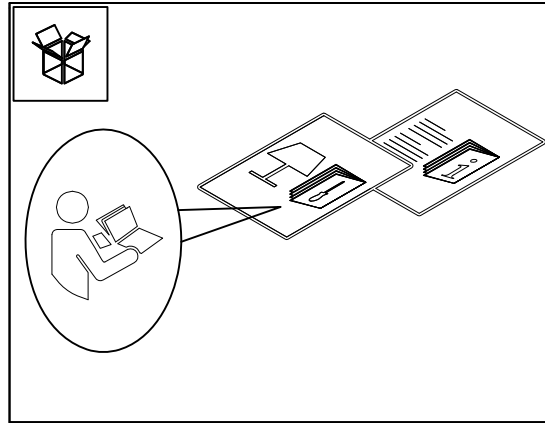
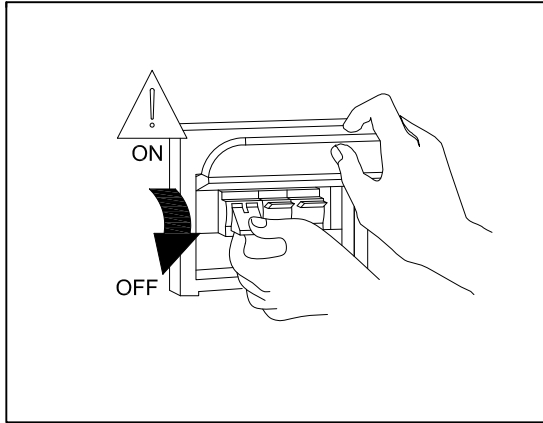


Housing

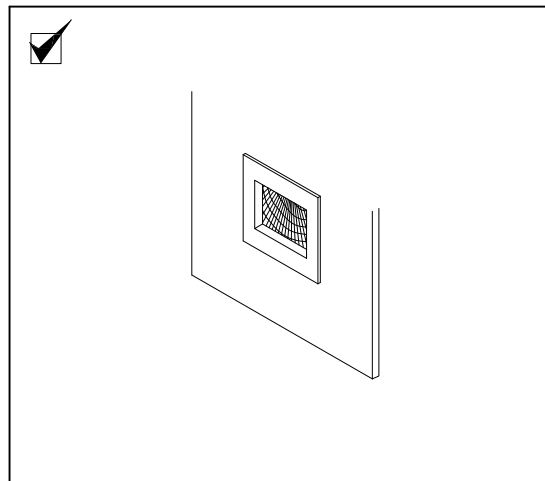
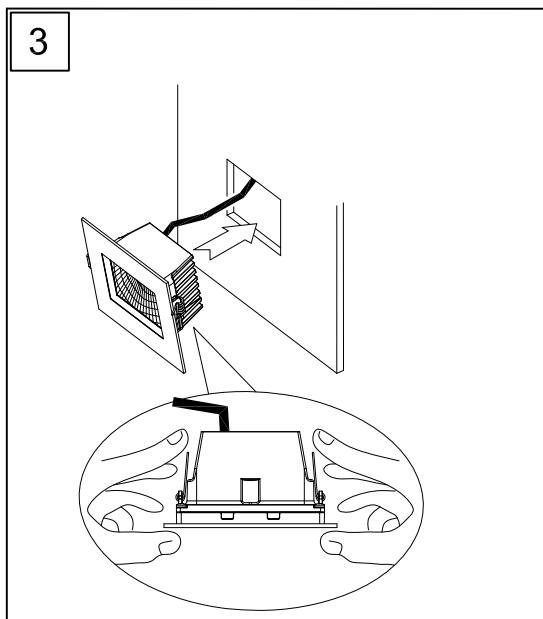
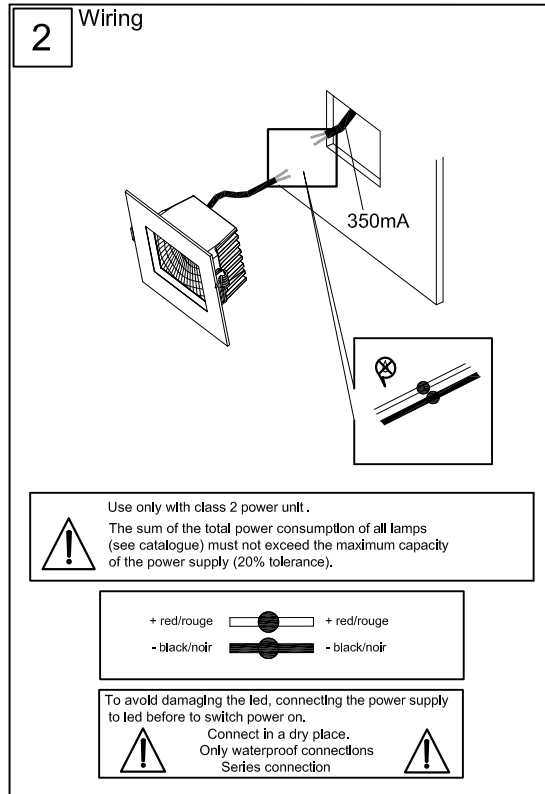
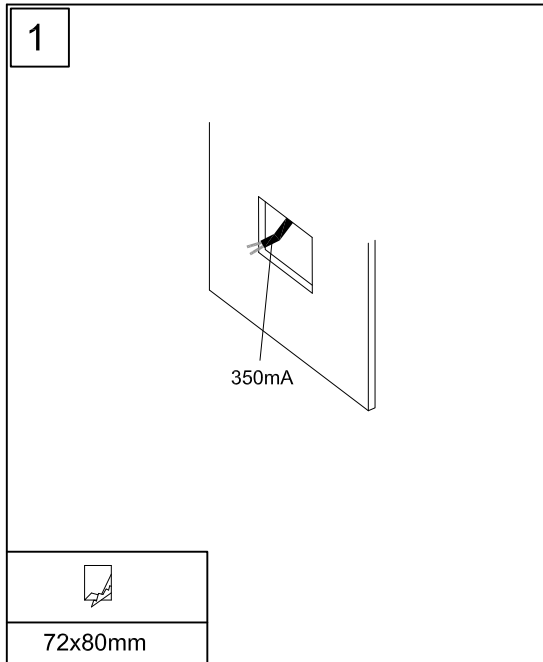


P(W)	Number Led	Constant current supply ( A )	Control gear for single fixture
3,6W	1 LED X 3,6W	350mA	

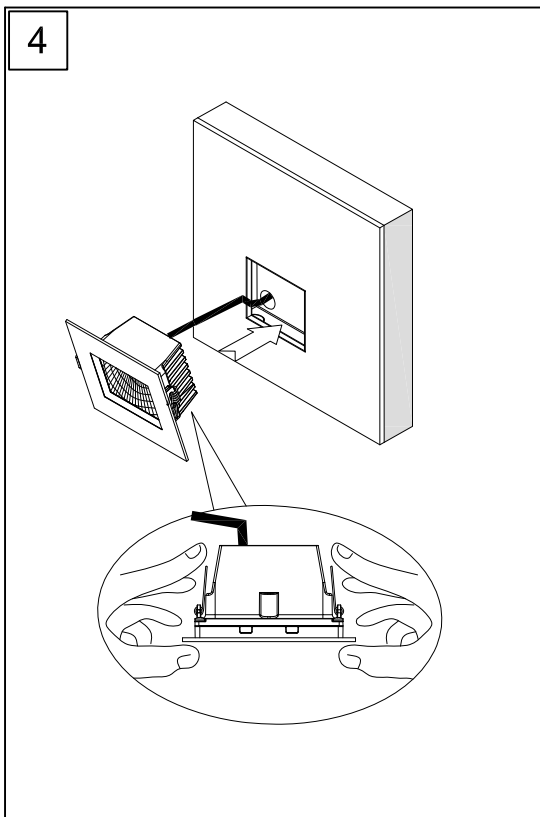
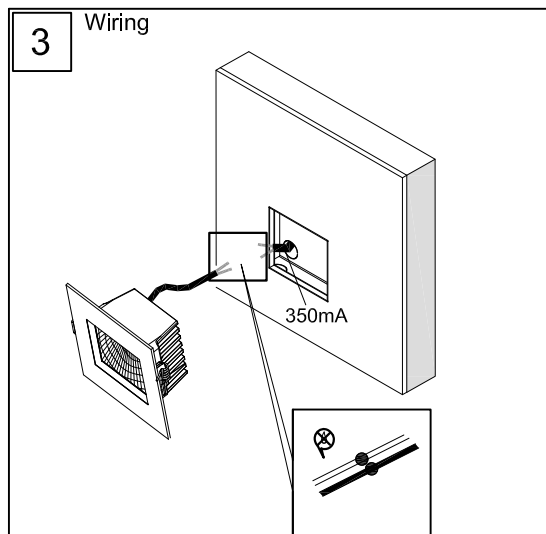
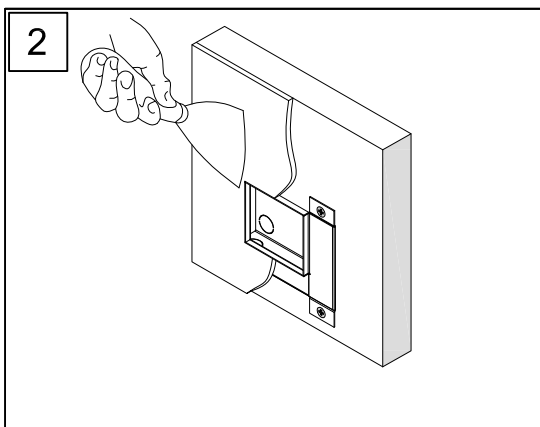
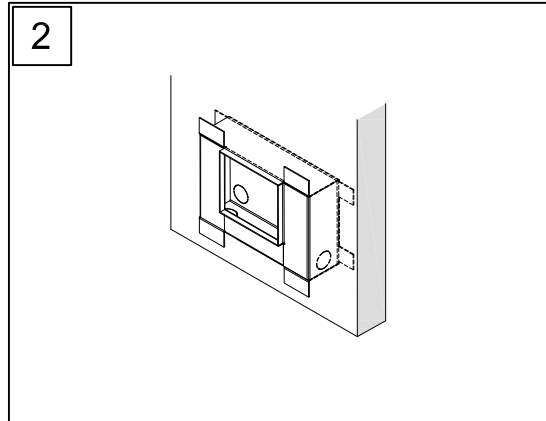
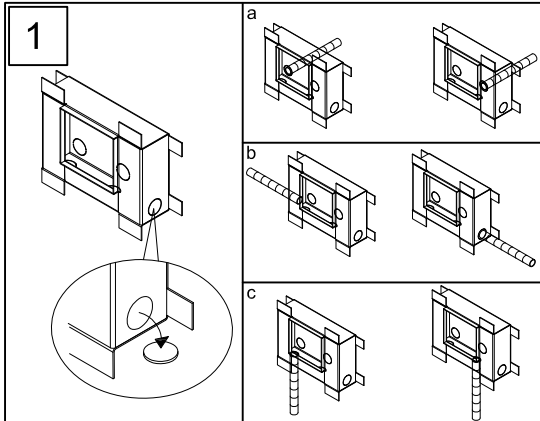






Installation for floating walls application



Installation with build-in housing



Use only with class 2 power unit.  
The sum of the total power consumption of all lamps (see catalogue) must not exceed the maximum capacity of the power supply (20% tolerance).

+ red/rouge  + red/rouge  
- black/noir  - black/noir

To avoid damaging the led, connecting the power supply to led before to switch power on.  
Connect in a dry place.  
Only waterproof connections  
Series connection

