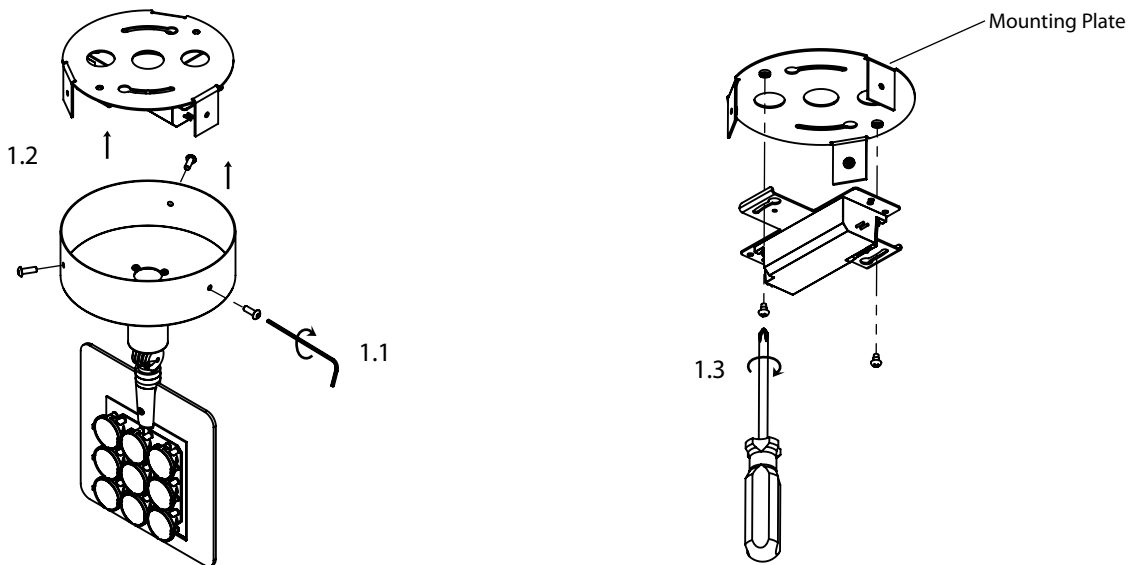




Attention: Read and understand these instructions before installing fixture. This fixture is intended for installation in accordance with the National Electric Code and local regulation. To assure full compliance with local codes and regulations, check with your local electrical inspector before installation. This equipment is guaranteed only when used as indicated in these instructions; therefore they should be kept for future reference. To prevent electrical shock, turn off power supply before carrying out any connection or maintenance operations. During installation, the LED chips may be exposed; please do not touch them to ensure proper long-term operation.

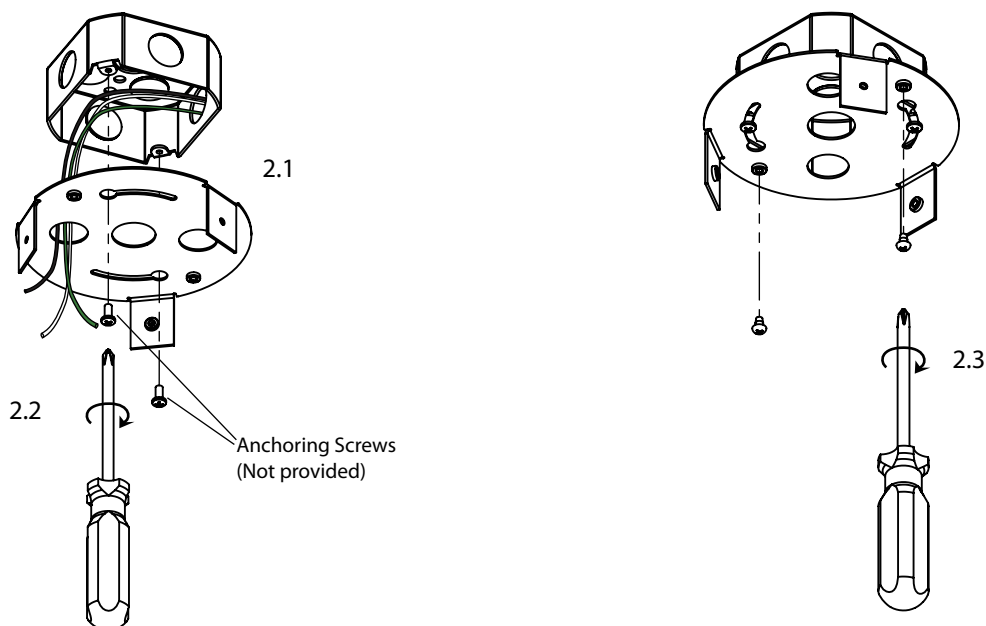
STEP 1

1. Use allen key provided to remove 3 screws from canopy
2. Slide inside components out of canopy
3. Separate mounting plate from driver bracket



STEP 2

1. Pass junction box wires through mounting plate hole
2. Install mounting plate on junction box with anchoring screws (not provided)
3. Fasten driver bracket screws to mounting plate





STEP 3

1. Line up keyholes in driver bracket with screws on mounting plate and rotate driver bracket
2. tighten screws, fastening driver bracket to mounting plate

STEP 4

1. Make appropriate junction box connections
2. Connect the driver to the light engine

FOR 0-10V DIMMABLE VERSION*			
FIXTURE WIRES	CEILING WIRES	FIXTURE WIRES	CEILING WIRES
PURPLE +	0-10VDC +	BLACK	BLACK
GREY -	DC -	WHITE	WHITE



STEP 5

1. Line up canopy with mounting bracket and tighten 3 screws using allen key provided
2. Adjust orientation and lock in place using allen key provided

STEP 6

1. Pull to remove or replace lense and lense holder