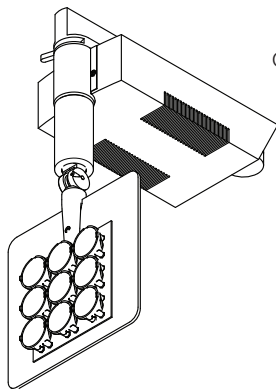




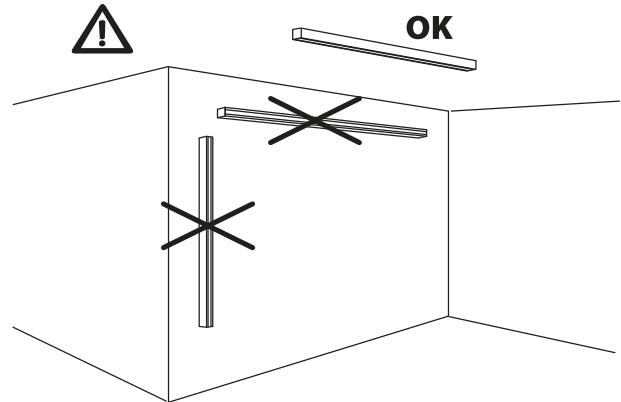
Attention: Read and understand these instructions before installing fixture. This fixture is intended for installation in accordance with National Electric Code and local regulation: To assure full compliance with local codes and regulations, check with your local electrical inspector before installation. This equipment is guaranteed only when used as indicated in these instructions; Therefore they should be kept for future reference. To prevent electrical shock, turn off power supply before carrying out any connection or maintenance operations.

Make sure you have all the elements of the fixture.
 Your box should contain the following parts:



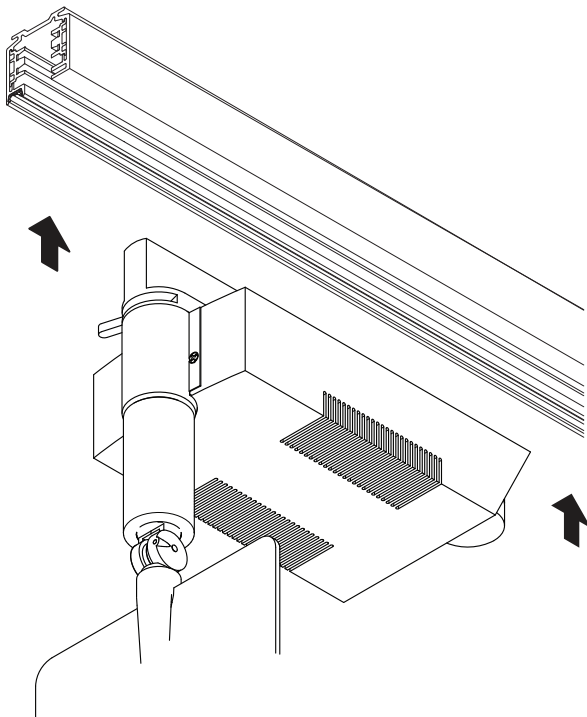
Complete fixture

The track shall be installed on the ceiling.



STEP 1

1.1 Insert the luminaire track adapter inside the track.
 Make sure ridge of adaptor aligns with groove in track.
 Note: This luminaire is only compatible with Eutrac system 230-233 series track only.



STEP 2

2.1 Turn knob 90° clockwise to connect to track.
 2.2 Turn knob 90° clockwise to connect to circuit 1 or 90° anti-clockwise to connect to circuit 2.

