

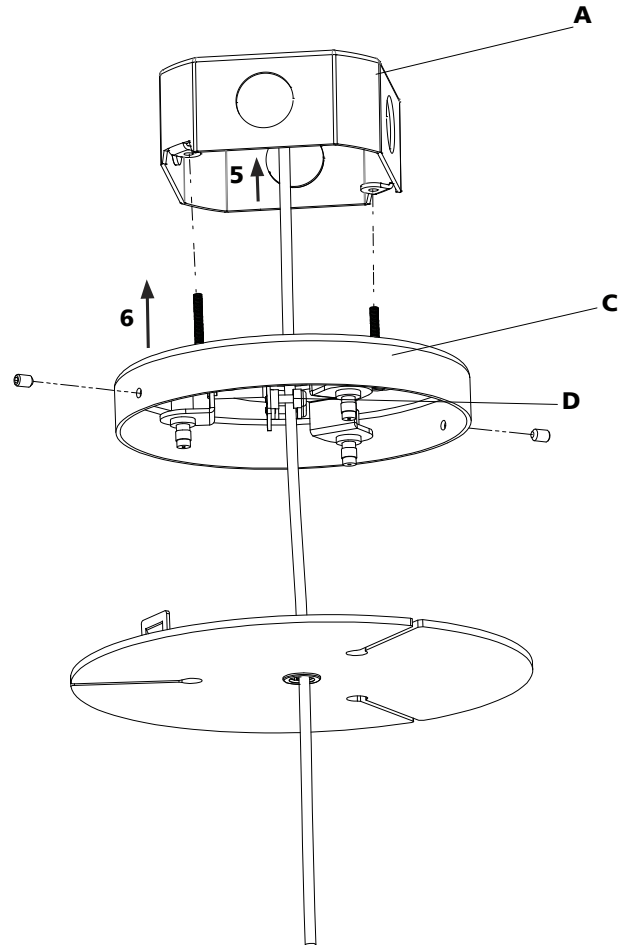
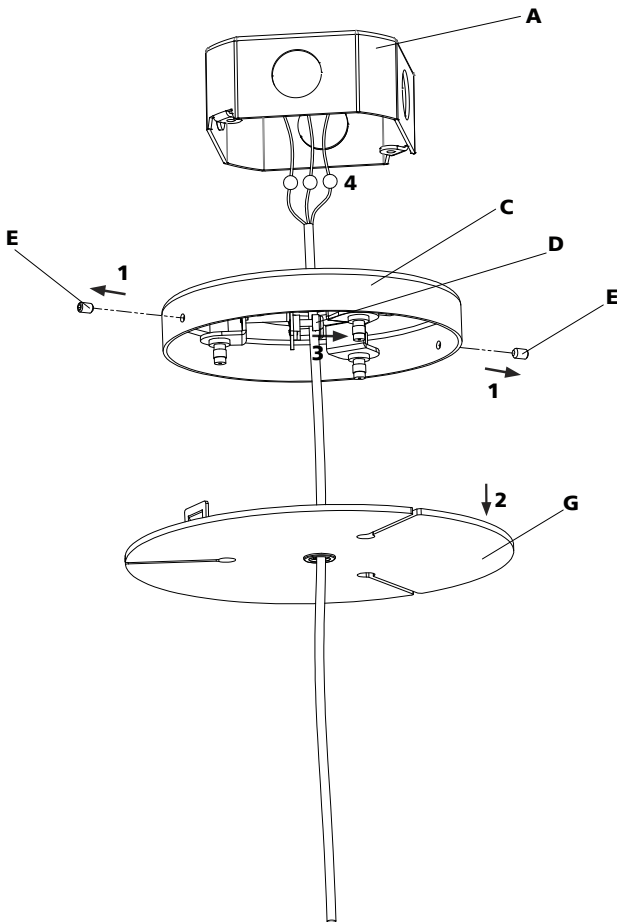


Attention: Read and understand these instructions before installing fixture. This fixture is intended for installation in accordance with National Electric Code and local regulation: To assure full compliance with local codes and regulations, check with your local electrical inspector before installation. This equipment is guaranteed only when used as indicated in these instructions; Therefore they should be kept for future reference. To prevent electrical shock, turn off power supply before carrying out any connection or maintenance operations.

STEP 1

Install canopy to the Junction box

1. Unscrew part E
2. Remove part G
3. Unscrew part D
4. Make the appropriate electrical connections
5. Push the wires inside part A
6. Fix part C to part A with 8-32 screws (not included)
7. Screw part D to hold electrical wire



FIXTURE WIRES	CEILING WIRES	FOR 0-10V DIM VERSION	FOR 3-WIRES VERSION
GREEN	GREEN	PURPLE	PURPLE
BLACK	BLACK	GREY	GREY
WHITE	WHITE		

FIXTURE WIRES	CEILING WIRES	FOR 0-10V DIM VERSION	FOR 3-WIRES VERSION
GREEN	GREEN	PURPLE	PURPLE
BLACK	BLACK	GREY	GREY
WHITE	WHITE		



STEP 2	Steel cables adjustment	
	<p>8. Loosen part H</p> <p>9. Adjust all cables to required height</p> <p>10. Tighten part H</p> <p>11. Cut extra steel cables.</p>	<p>12. Fix part G to C (initial position)</p> <p>13. Screw part E to hold Part G</p>

