

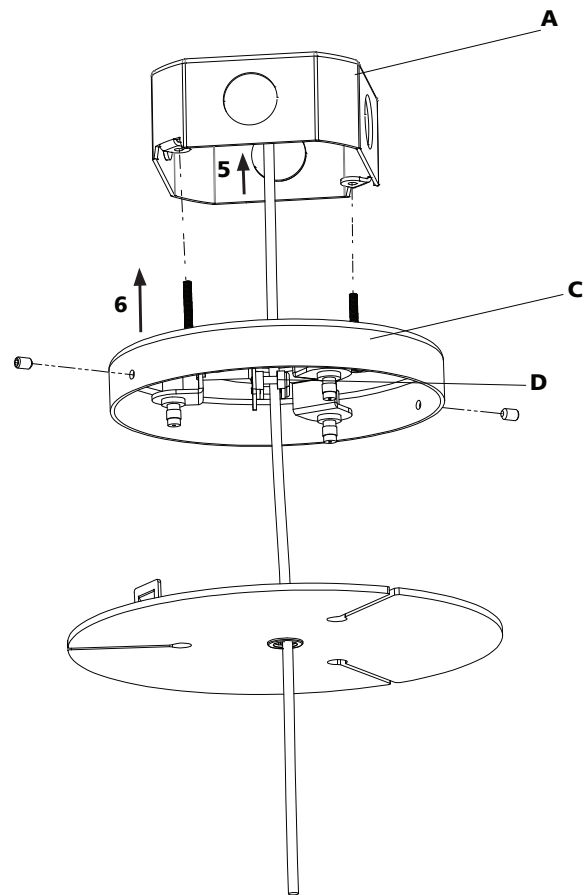
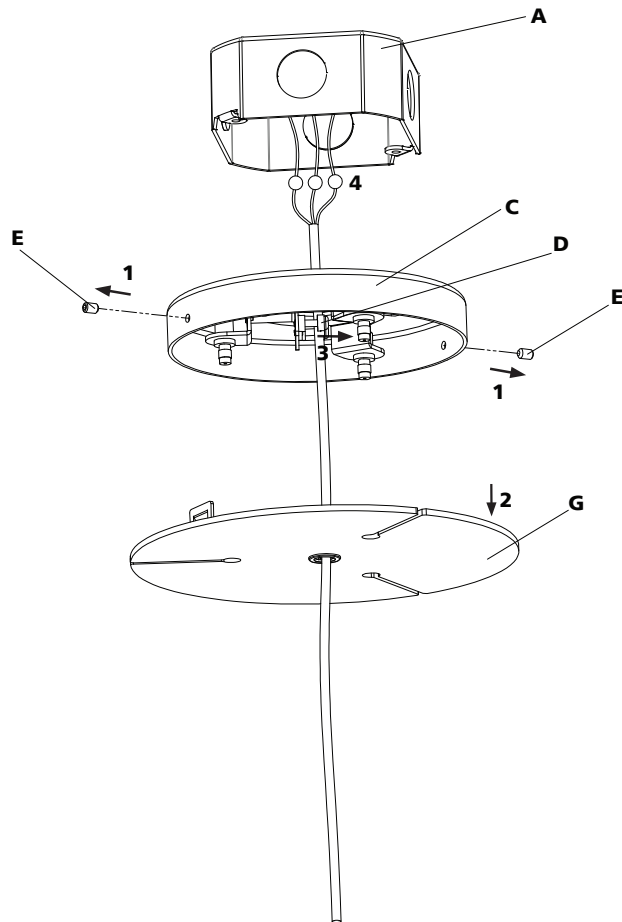


Attention: Read and understand these instructions before installing fixture. This fixture is intended for installation in accordance with National Electric Code and local regulation: To assure full compliance with local codes and regulations, check with your local electrical inspector before installation. This equipment is guaranteed only when used as indicated in these instructions; Therefore they should be kept for future reference. To prevent electrical shock, turn off power supply before carrying out any connection or maintenance operations.

STEP 1

Install canopy to the Junction box

- | | |
|--|---|
| <ol style="list-style-type: none"> 1. Unscrew part E 2. Remove part G 3. Unscrew part D 4. Make the appropriate electrical connections | <ol style="list-style-type: none"> 5. Push the wires inside part A 6. Fix part C to part A with screws 8-32 (not included) 7. Screw part D to hold electrical wire |
|--|---|



FIXTURE WIRES	CEILING WIRES	FOR 0-10V DIM VERSION		FOR 3-WIRES VERSION	
FIXTURE WIRES	CEILING WIRES	FIXTURE WIRES	CEILING WIRES	FIXTURE WIRES	CEILING WIRES
GREEN (G)	GREEN	PURPLE (+)	0-10V +	PURPLE (O)	DIM HOT
BLACK (L)	BLACK	GREY (-)	0-10V +	GREY (O)	
WHITE (N)	WHITE				



STEP 2	Steel cables adjustment	
	<ul style="list-style-type: none"> 8. Loosen part H 9. Adjust all cables to required height 10. Tighten part H 11. Cut extra steel cables 	<ul style="list-style-type: none"> 12. Fix part G to C (initial position) 13. Screw part E to hold Part G

