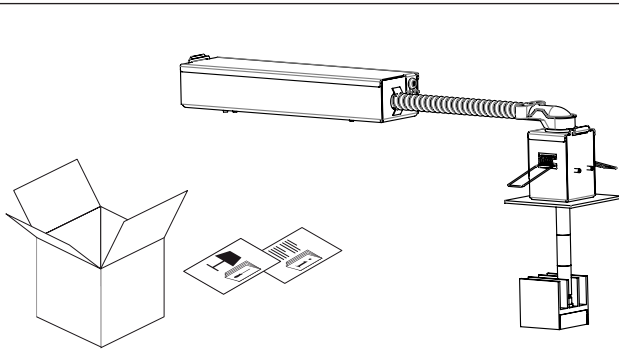




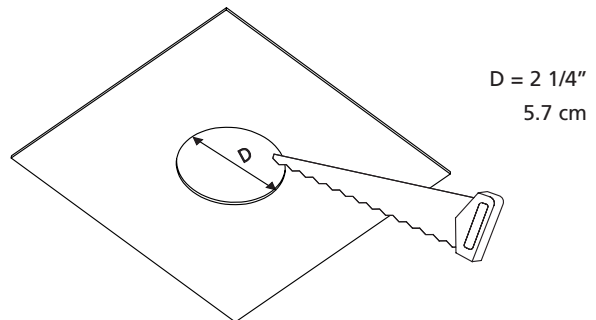
**Attention:** Read and understand these instructions before installing fixture. This fixture is intended for installation in accordance with National Electric Code and local regulation: To assure full compliance with local codes and regulations, check with your local electrical inspector before installation. This equipment is guaranteed only when used as indicated in these instructions; therefore they should be kept for future reference. To prevent electrical shock, turn off power supply before carrying out any connection or maintenance operations.

Your box should contain ;



### STEP 1

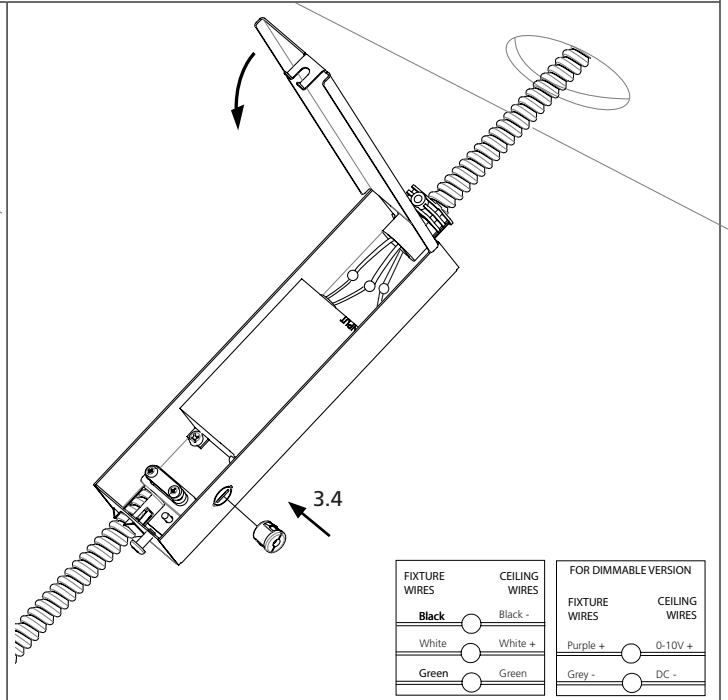
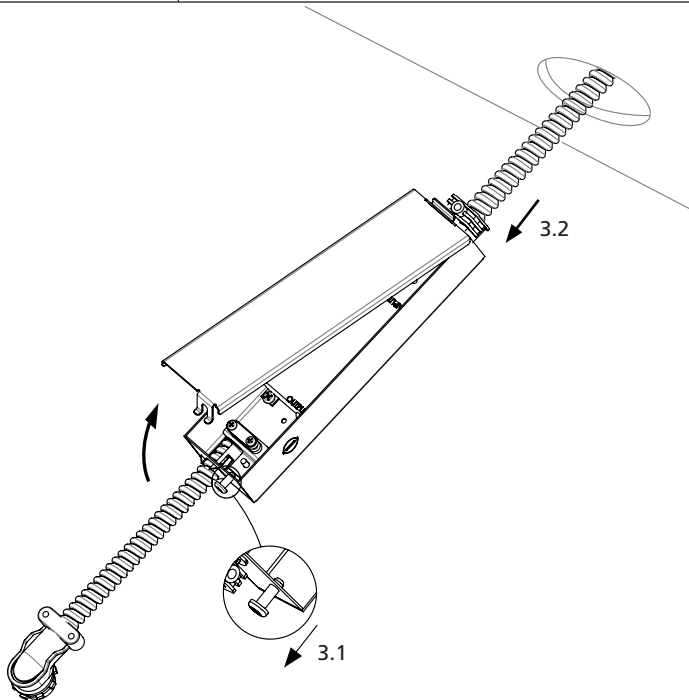
1. Cut a circular opening in the ceiling



### STEP 2

Make the appropriate connections

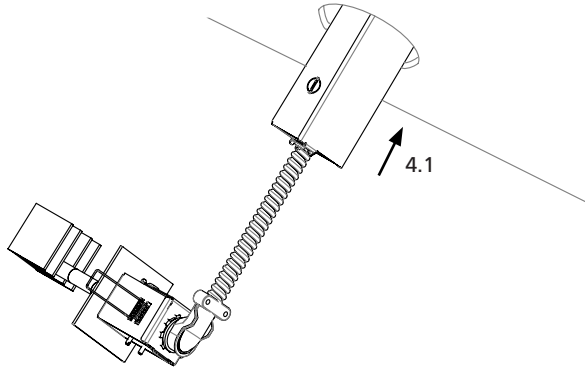
1. Unscrew the driver housing cover and open the box
2. install BX conduit or Loomex cable using appropriate connector (not included)
3. Make appropriate connections and close the box
4. For 0-10V connections, remove the knock-out and push-in the bushing (optional)





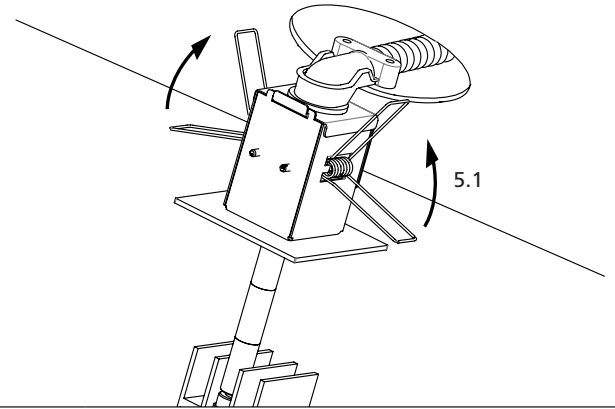
**STEP 3**

1. Insert the driver housing in the ceiling



**STEP 4**

1. Push mounting springs upward and insert the fixture in the ceiling



fixture installed

