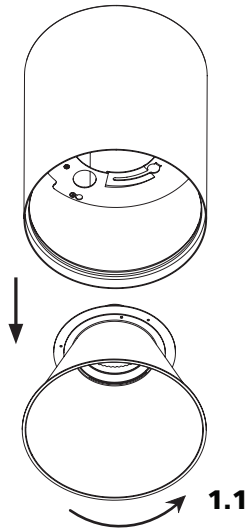




Attention: Read and understand these instructions before installing fixture. This fixture is intended for installation in accordance with National Electric Code and local regulation: To assure full compliance with local codes and regulations, check with your local electrical inspector before installation. This equipment is guaranteed only when used as indicated in these instructions; Therefore they should be kept for future reference. To prevent electrical shock, turn off power supply before carrying out any connection or maintenance operations.

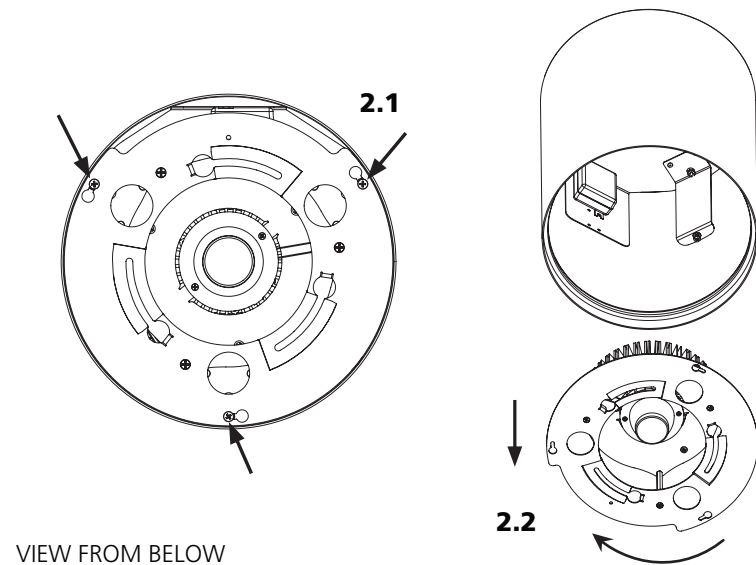
STEP 1

1. Turn and pull the diffuser assembly to remove it from the body



STEP 2

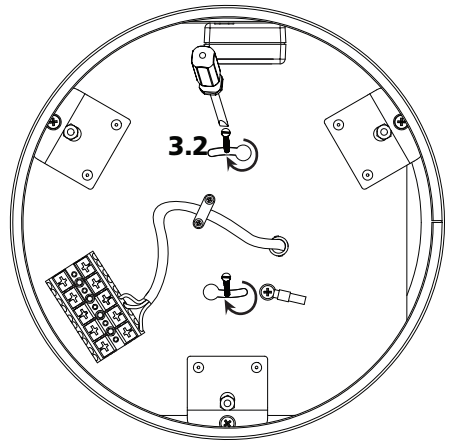
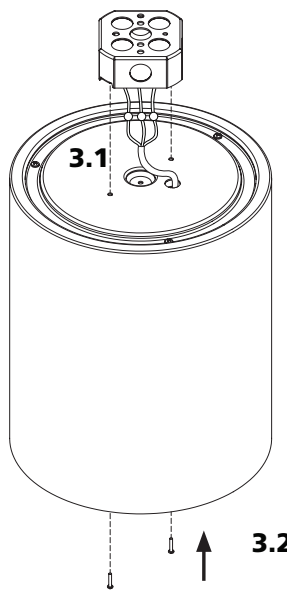
1. Unscrew the three identified screws to release the plate
2. Turn and pull the plate to remove the LED assembly



STEP 3

1. Make the appropriate electrical connections according to wiring diagram

2. Fix body to junction box (screws not included)
3. Replace LED assembly and diffuser assembly



Note: only one dimming method can be use at the same time

FOR 0-10V DIM VERSION	
FIXTURE WIRES	CEILING WIRES
GREEN (G)	GREEN
BLACK (L)	BLACK
WHITE (N)	WHITE
PURPLE (+)	0-10V +
GREY (-)	0-10V -

FOR 3-WIRES VERSION		FOR DIGITAL VERSION	
FIXTURE WIRES	CEILING WIRES	FIXTURE WIRES	CEILING WIRES
ORANGE (O)	DIM HOT	PURPLE	DIGITAL
		PURPLE	DIGITAL

VIEW FROM BELOW



STEP 4	<ol style="list-style-type: none"> 1. Connect LED assembly to driver using connector 2. Push and turn the LED assembly to replace it in the body 3. Screw the three identified screws to fix the plate 	STEP 5	<ol style="list-style-type: none"> 1. Push and turn the diffuser to replace it in the body