

Hoy Family



Artemide[®]

Authors

Foster+Partners

Foster+Partners is an international studio for architecture, engineering and design, led by Founder and Chairman Norman Foster and a Partnership Board. Founded in 1967, the practice is characterised by its integrated approach to design, bringing together the depth of resources required to take on some of the most complex projects in the world. They have always had a strong interest in the making of things as an integral part of the design process, rooted in what they believe is a duty to design well and responsibly, whether that is at the scale of an airport or a door handle.

The practice has never drawn a distinction between architecture and industrial design. The point of contact, the thing that you touch, is as important as the broader vision. The industrial design team established in 1980, has developed a wide range of products from door handles to wind turbines; from a fountain pen to the cabin of an executive jet; from a tap to the fit-out of an ocean yacht. Frequently, products are designed in response to a particular project, but they also work directly with clients on product commissions or with companies to develop new products for commercial manufacture.



Hoy

Foster+Partners
2017



Hoy is a system of adjustable spotlights with a basic shape, yet a rich performance. A simple cylinder protrudes from the surface with varying heights for the different versions (recessed, semi-recessed, surface).

Its volume is divided to direct emission in space, the mobile part hosts to the source and the optical devices required to produce four different beam angles (13°, 24°, 48°, 68°).



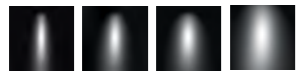
For further information on Hoy
↪ visit artemide.net

Hoy typologies

SPOT RECESSED



TRIM



S 13° FL 24° WF 48° XF 68°

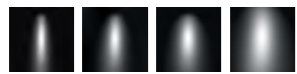


TRIMLESS

SPOT SEMI-RECESSED



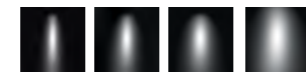
TRIM



S 13° FL 24° WF 48° XF 68°



TRIMLESS



S 13° FL 24° WF 48° XF 68°

SPOT CEILING

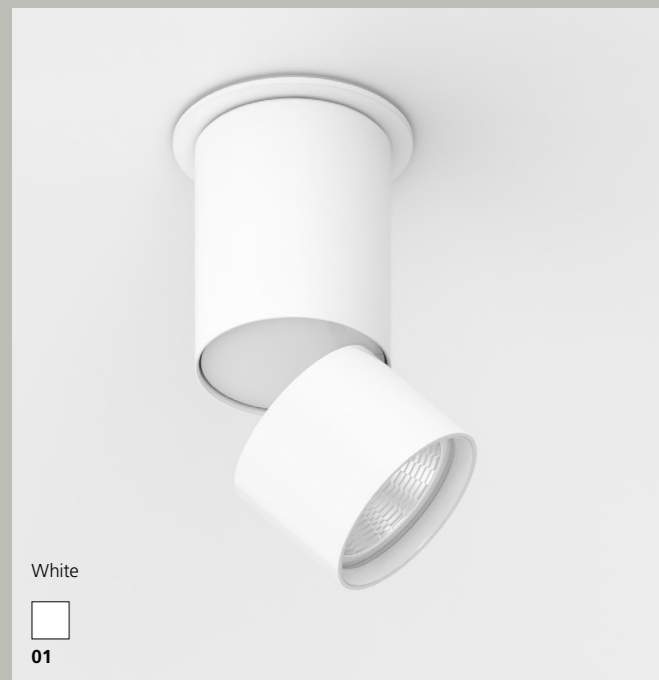


S 13° FL 24° WF 48° XF 68°



Hoy colors

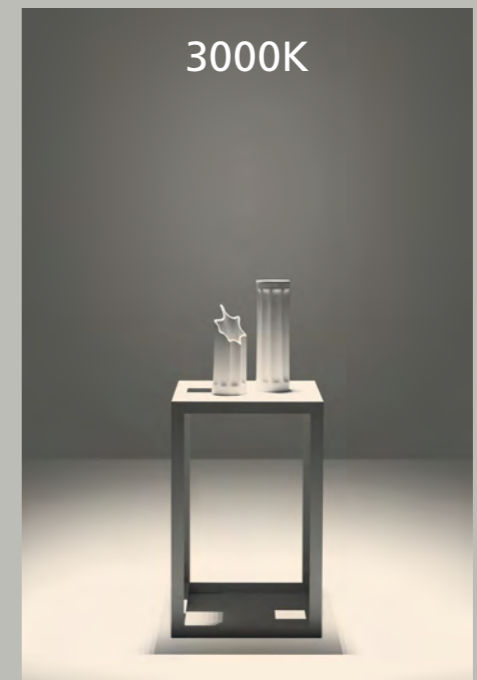
Hoy color temperatures



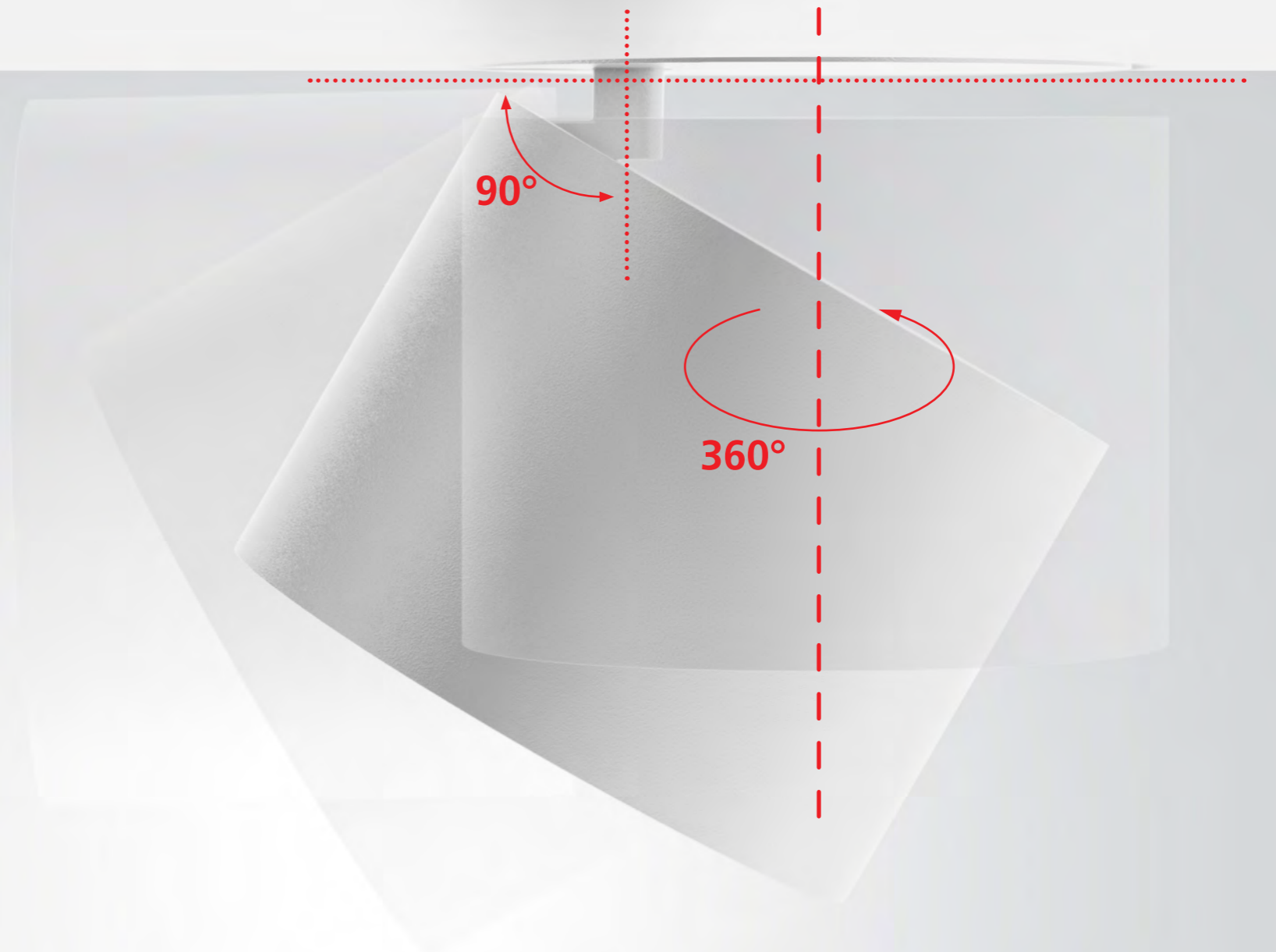
RAL9016

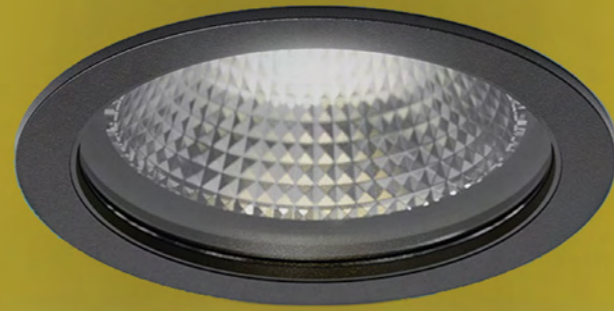


RAL9004



Adjustable Hoy Spot





Hoy Spot Recessed

HOY SPOT RECESSED

Black



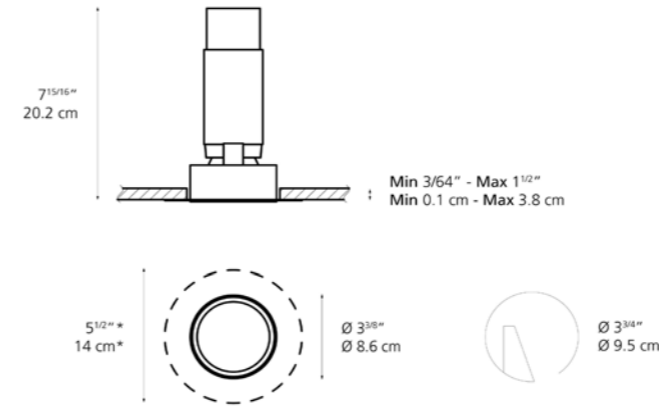
Power supply sold separately
Light engine to be completed
with installation frame

MacAdam 2SDMC
Life L70(6K) 50000h
CRI=90

IP20
cULus
Dry
locations

HOY SPOT RECESSED TRIMLESS

W	Beam	Flux	CCT	Light engine Code	Frame Code
19 W	S 13°	2053 lm	2700K	BM822731000	BM800010000
		2053 lm	3000K	BM823031000	
		2198 lm	3500K	BM823531000	
		2362 lm	4000K	BM824031000	
	FL 24°	1759 lm	2700K	BM822731100	
		1759 lm	3000K	BM823031100	
		1884 lm	3500K	BM823531100	
		2024 lm	4000K	BM824031100	
	WF 48°	1915 lm	2700K	BM822731200	
		1915 lm	3000K	BM823031200	
		2050 lm	3500K	BM823531200	
		2203 lm	4000K	BM824031200	
XF 68°	1784 lm	2700K	BM822731300		
	1784 lm	3000K	BM823031300		
	1910 lm	3500K	BM823531300		
	2053 lm	4000K	BM824031300		



*Not visible after installation

REMOTE POWER SUPPLY

Input Wattage	Width	Height	Depth	Control	Code
23W	8-1/4"	4-3/4"	1-3/4"	0-10V	BMODRV08



HOY SPOT RECESSED

White Black

01 04

S FL WF XF

Mirror Optic White Optic

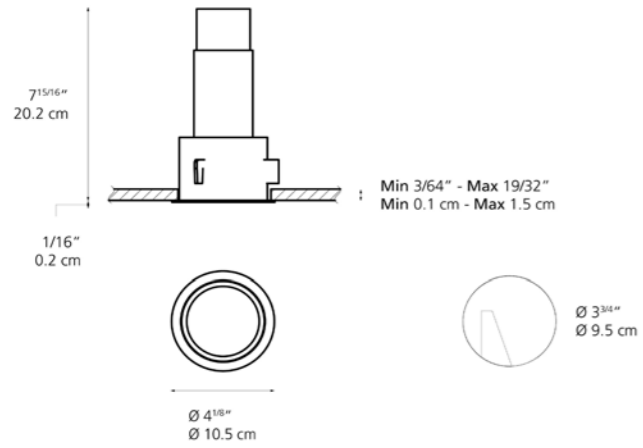
Power supply sold separately
Light engine to be completed
with installation frame

MacAdam 2SDMC
Life L70(6K) 50000h
CRI=90

IP20
cULus
Dry
locations


HOY SPOT RECESSED WITH TRIM

W	Beam	Flux	CCT	Light engine Code	Frame Code
19 W	S 13°	2053 lm	2700K	BM822731000	BM8000100. 01/04
		2053 lm	3000K	BM823031000	
		2198 lm	3500K	BM823531000	
		2362 lm	4000K	BM824031000	
	FL 24°	1759 lm	2700K	BM822731100	
		1759 lm	3000K	BM823031100	
		1884 lm	3500K	BM823531100	
		2024 lm	4000K	BM824031100	
	WF 48°	1915 lm	2700K	BM822731200	
		1915 lm	3000K	BM823031200	
		2050 lm	3500K	BM823531200	
		2203 lm	4000K	BM824031200	
XF 68°	1784 lm	2700K	BM822731300		
	1784 lm	3000K	BM823031300		
	1910 lm	3500K	BM823531300		
	2053 lm	4000K	BM824031300		



REMOTE POWER SUPPLY


Input Wattage	Width	Height	Depth	Control	Code
23W	8-1/4"	4-3/4"	1-3/4"	0-10V	BM0DRV08


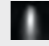
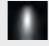






Hoy Spot Semi Recessed

↪ HOY SPOT SEMI RECESSED


Black 

S FL WF XF
   

Mirror Optic White Optic

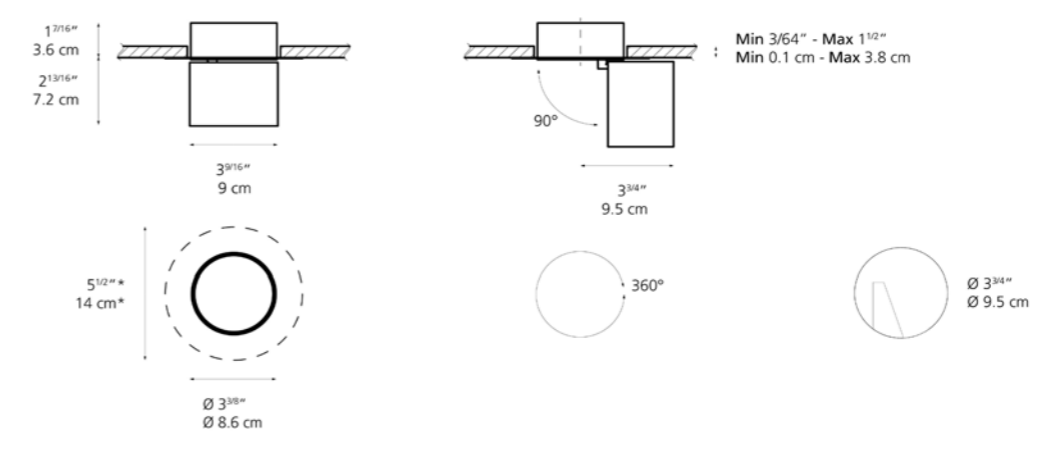
Power supply sold separately
Light engine to be completed with installation frame

MacAdam 2SDMC
Life L70(6K) 50000h
CRI=90

IP20

 Dry locations

HOY SPOT SEMI RECESSED TRIMLESS

W	Beam	Flux	CCT	Light engine Code	Frame Code
19 W	S 13°	2053 lm	2700K	BM8027310. 01/04	BM800010000
		2053 lm	3000K	BM8030310. 01/04	
		2198 lm	3500K	BM8035310. 01/04	
		2362 lm	4000K	BM8040310. 01/04	
	FL 24°	1759 lm	2700K	BM8027311. 01/04	
		1759 lm	3000K	BM8030311. 01/04	
		1884 lm	3500K	BM8035311. 01/04	
		2024 lm	4000K	BM8040311. 01/04	
	WF 48°	1915 lm	2700K	BM8027312. 01/04	
		1915 lm	3000K	BM8030312. 01/04	
		2050 lm	3500K	BM8035312. 01/04	
		2203 lm	4000K	BM8040312. 01/04	
XF 68°	1784 lm	2700K	BM8027313. 01/04		
	1784 lm	3000K	BM8030313. 01/04		
	1910 lm	3500K	BM8035313. 01/04		
	2053 lm	4000K	BM8040313. 01/04		



*Not visible after installation

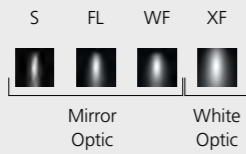
REMOTE POWER SUPPLY

Input Wattage	Width	Height	Depth	Control	Code
23W	8-1/4"	4-3/4"	1-3/4"	0-10V	BMODRV08



HOY SPOT SEMI RECESSED

White 01 Black 04



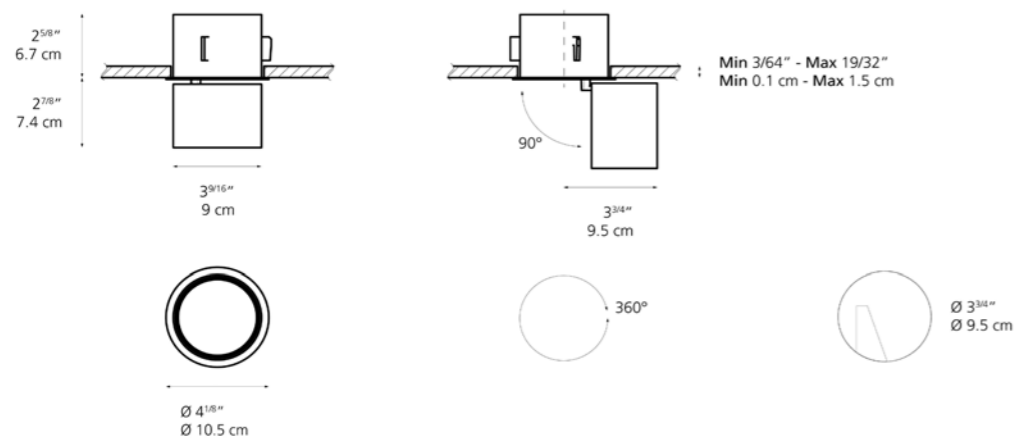
Power supply sold separately
Light engine to be completed
with installation frame

MacAdam 2SDMC
Life L70(6K) 50000h
CRI=90

IP20
UL US
Dry
locations

HOY SPOT SEMI RECESSED WITH TRIM

W	Beam	Flux	CCT	Light engine Code	Frame Code
19 W	S 13°	2053 lm	2700K	BM8027310. 01/04	BM8000100. 01/04
		2053 lm	3000K	BM8030310. 01/04	
		2198 lm	3500K	BM8035310. 01/04	
		2362 lm	4000K	BM8040310. 01/04	
	FL 24°	1759 lm	2700K	BM8027311. 01/04	
		1759 lm	3000K	BM8030311. 01/04	
		1884 lm	3500K	BM8035311. 01/04	
		2024 lm	4000K	BM8040311. 01/04	
	WF 48°	1915 lm	2700K	BM8027312. 01/04	
		1915 lm	3000K	BM8030312. 01/04	
		2050 lm	3500K	BM8035312. 01/04	
		2203 lm	4000K	BM8040312. 01/04	
XF 68°	1784 lm	2700K	BM8027313. 01/04		
	1784 lm	3000K	BM8030313. 01/04		
	1910 lm	3500K	BM8035313. 01/04		
	2053 lm	4000K	BM8040313. 01/04		



REMOTE POWER SUPPLY




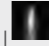
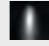
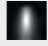

Input Wattage	Width	Height	Depth	Control	Code
23W	8-1/4"	4-3/4"	1-3/4"	0-10V	BM0DRV08



Hoy Spot ceiling

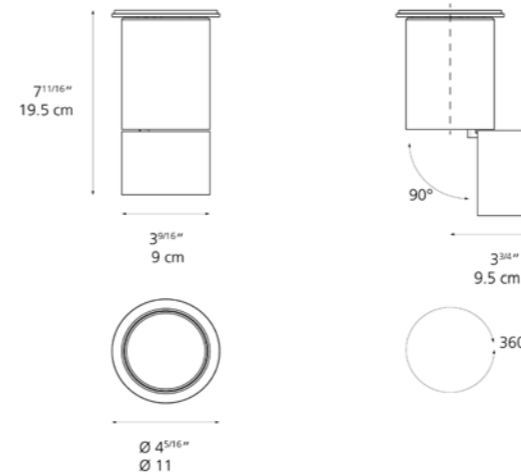
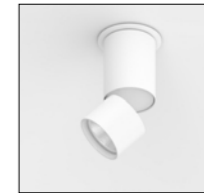


↪ HOY SPOT CEILING

White	Black	S	FL	WF	XF	120/277Vac 50/60Hz built-in electronic driver	MacAdam 2SDMC Life L70(6K) 50000h CRI=90	IP20  Dry locations
								
01	04	Mirror Optic		White Optic				

HOY SPOT SURFACE

W	Beam	Flux	CCT	Dimmable 2-wire/0-10V Code
20 W	S 13°	1934 lm	2700K	BM8327310. 01/04
		1934 lm	3000K	BM8330310. 01/04
		2071 lm	3500K	BM8335310. 01/04
		2225 lm	4000K	BM8340310. 01/04
	FL 24°	1657 lm	2700K	BM8327311. 01/04
		1657 lm	3000K	BM8330311. 01/04
		1774 lm	3500K	BM8335311. 01/04
		1906 lm	4000K	BM8340311. 01/04
	WF 48°	1804 lm	2700K	BM8327312. 01/04
		1804 lm	3000K	BM8330312. 01/04
		1931 lm	3500K	BM8335312. 01/04
		2075 lm	4000K	BM8340312. 01/04
XF 68°	1681 lm	2700K	BM8327313. 01/04	
	1681 lm	3000K	BM8330313. 01/04	
	1799 lm	3500K	BM8335313. 01/04	
	1933 lm	4000K	BM8340313. 01/04	





Artemide INC

250 Karin Lane
Hicksville, NY 11801
Tel. 631-694-9292
artemide.net

Artemide Ltd

11105 rue Renaude Lapointe
Montréal, Québec, H1J 2T4
Tel. 514-323-6537
artemide.net



ISO 9001:2015



ISO 14001:2015



ISO 45001:2018

Artemide INC - Artemide Ltd

Reserves right to change, at any time and without prior warning, the technical specifications of any product illustrated in this catalogue.

Artemide INC - Artemide Ltd

Se réserve le droit de modifier, à n'importe quel moment et sans préavis, les caractéristiques techniques des éléments illustrés dans ce catalogue.

Artemide INC - Artemide Ltd

Se reserva la facultad de modificar, en cualquier y sin aviso previo, las características técnicas de los elementos ilustrados en el presente catálogo.