

# Flexia

by  
Mario Cucinella



Artemide®

# Flexia

## Mario Cucinella 2020

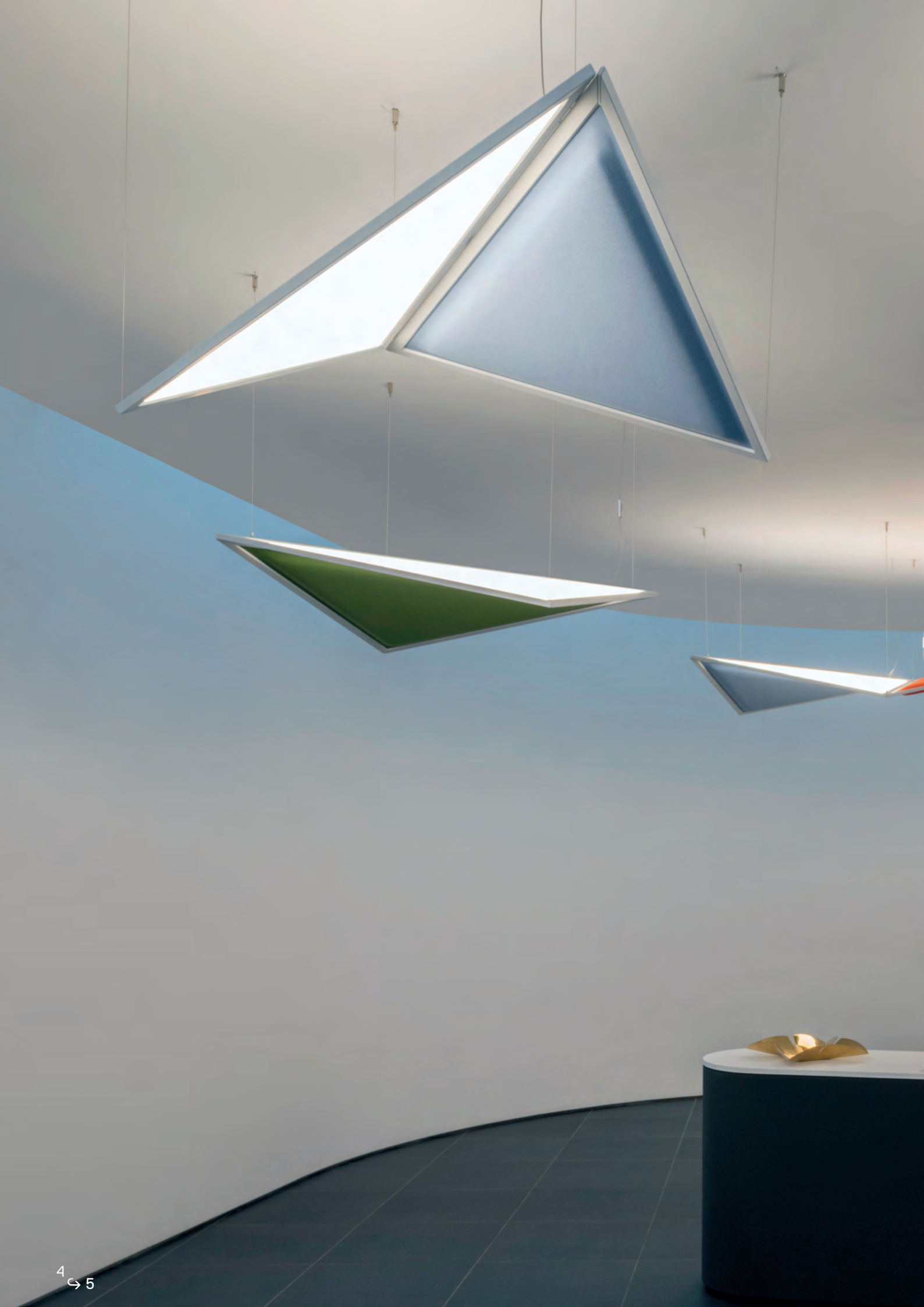
Mario Cucinella is the founder of Mario Cucinella Architects. With over 20 years of professional practice, MC-A has developed a great experience in architectural design, with particular attention to the issues of sustainability and the environmental impact of buildings. Its production has generated numerous recognized projects from product design, to buildings, to urban masterplans.

In 2015 he established in Bologna S.O.S. - School of Sustainability, a post-master program aimed at training new professionals in the field of sustainable design.

The impact and importance of his work, both from an environmental and social point of view, as an architect and educator, has been recognized with the Honorary Fellowship of the American Institute of Architects (2017) and with the International Fellowship del Royal Institute of British Architects (2016).

→ PATENT OF INVENTION: OPTICS

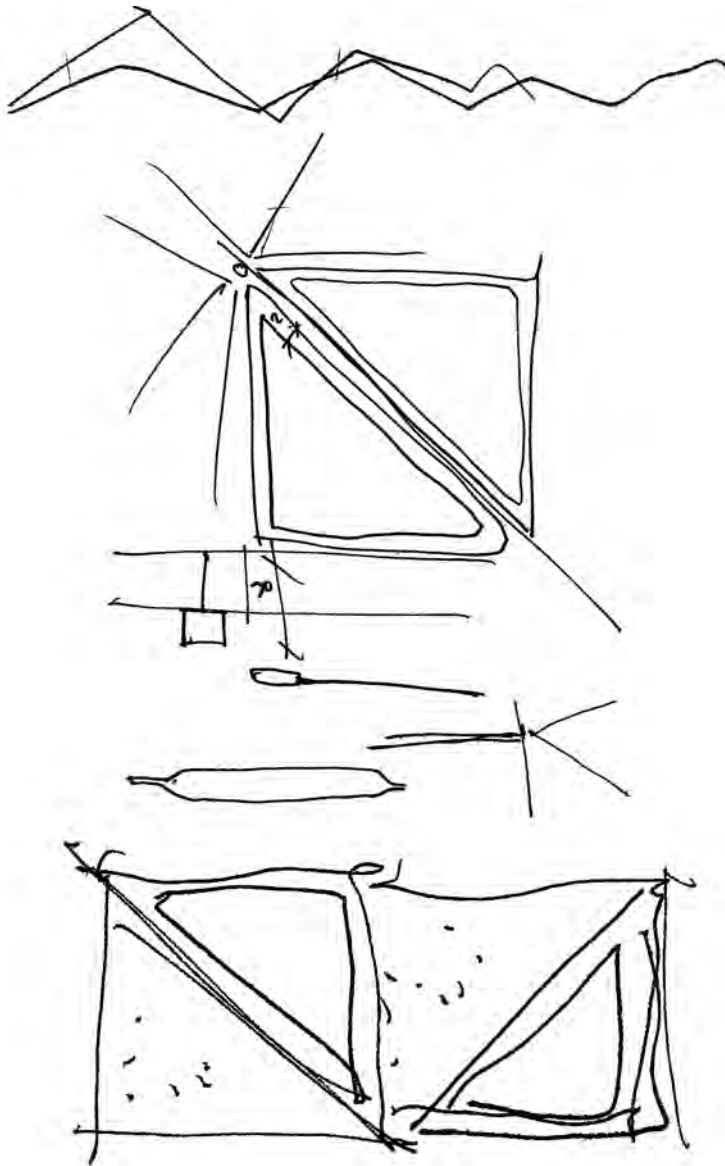






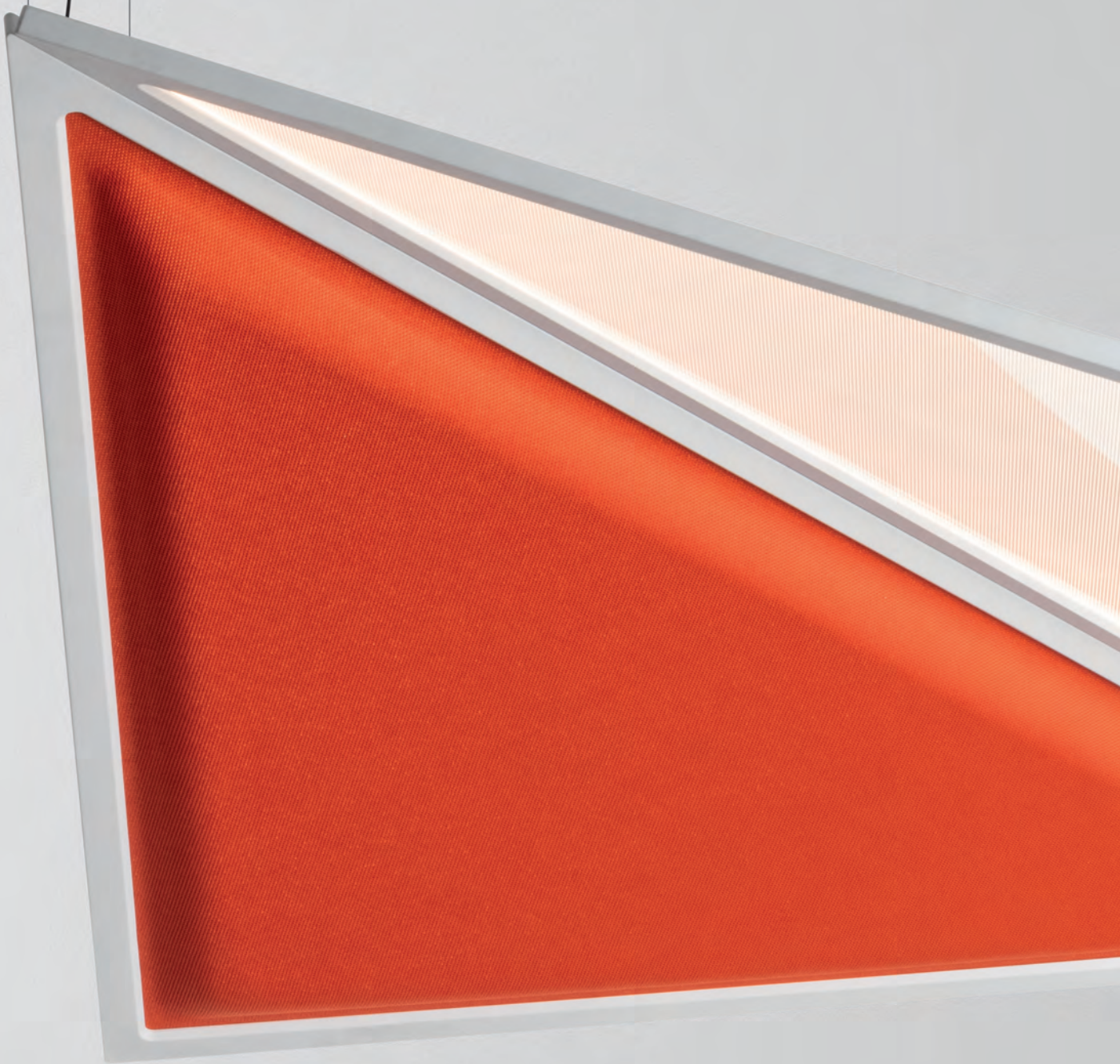
“Flexia is a play on perceptions between the visible, which is material and colour, and the invisible which becomes light.”

Mario Cucinella





Mario Cucinella in his studio, ph. by Giovanni de Sandre | 2020





# Controlled light performance

The Discovery patented technology applied in Flexia produces a diffused, uniform, comfortable emission that also respects UGR standards for use in workspaces in any installation position. It is a technical performance expressed through emotional perception and the magical quality of transparency. Artemide's ability looks beyond traditional concepts and interprets technology in a way that is beneficial to our well-being.



## **High-end and innovative technology**

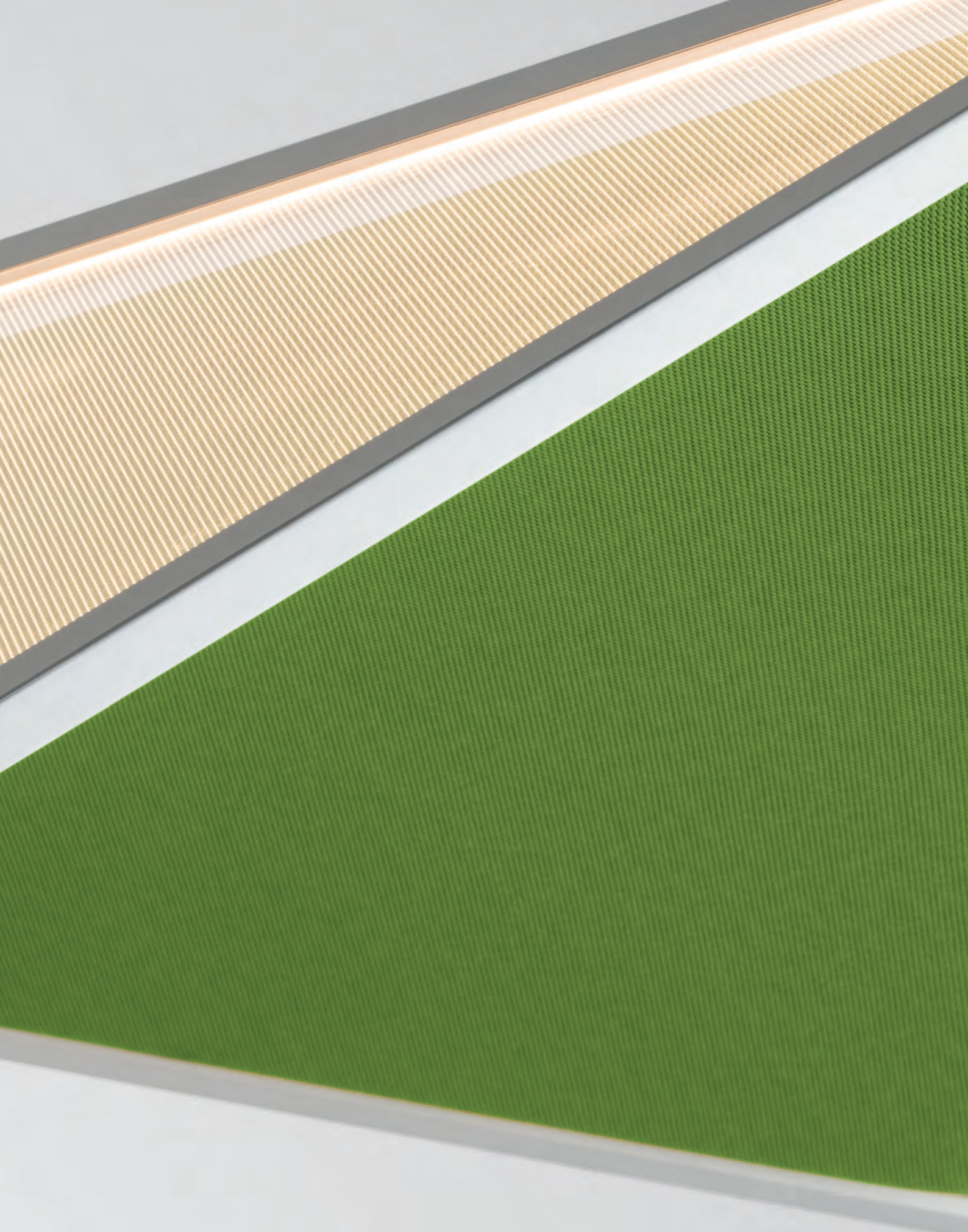
Perfectly transparent extracting light surface

## **UGR < 19**

Optimal glare control in any different position

## **Maximum efficiency and uniformity**

Uniform and diffuse light suitable for workplaces

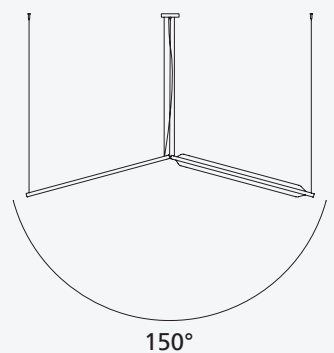
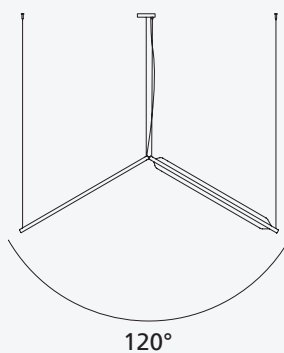
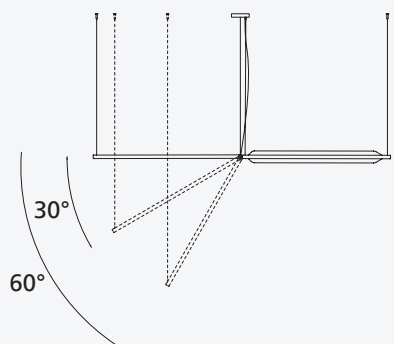
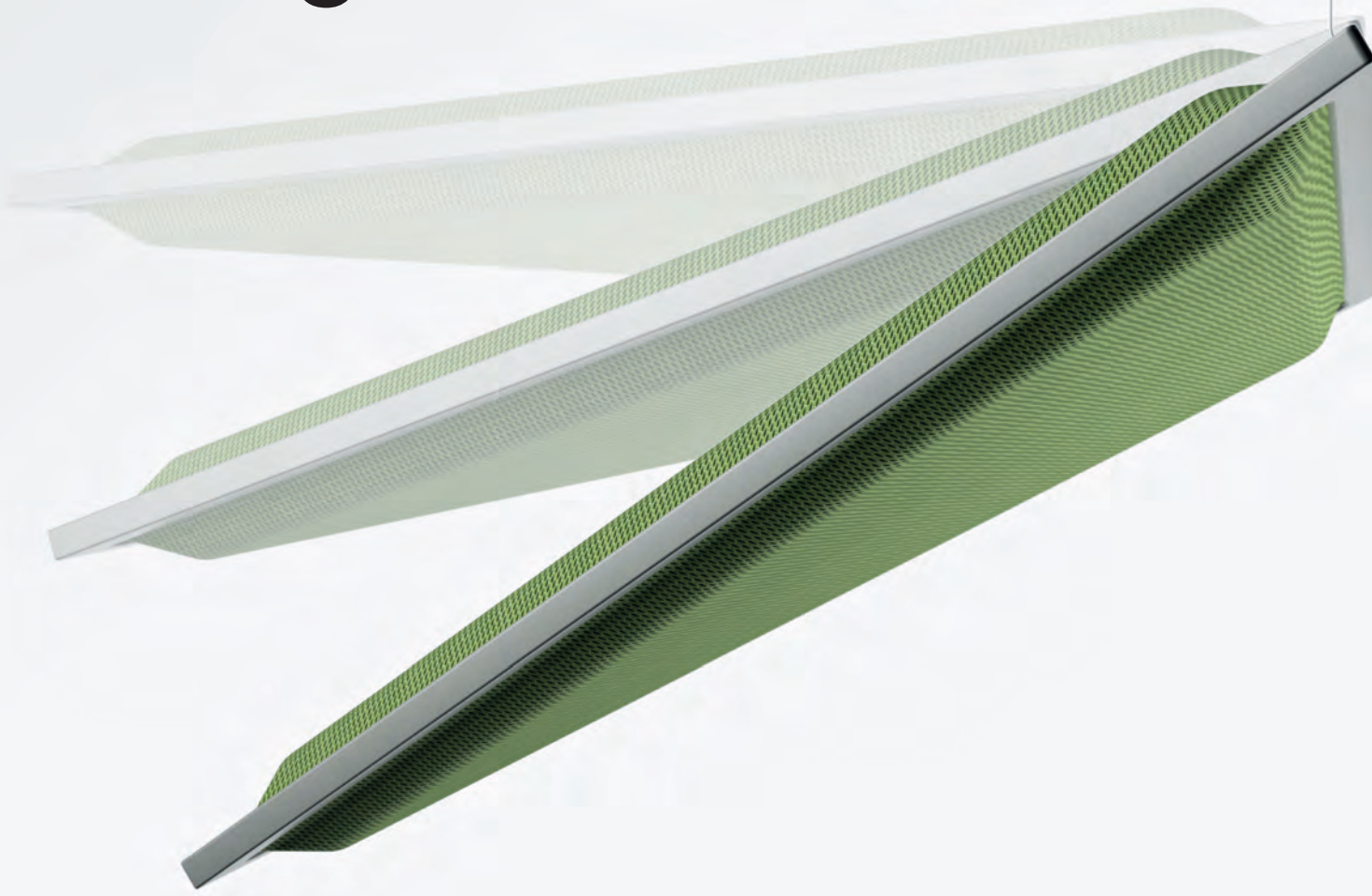


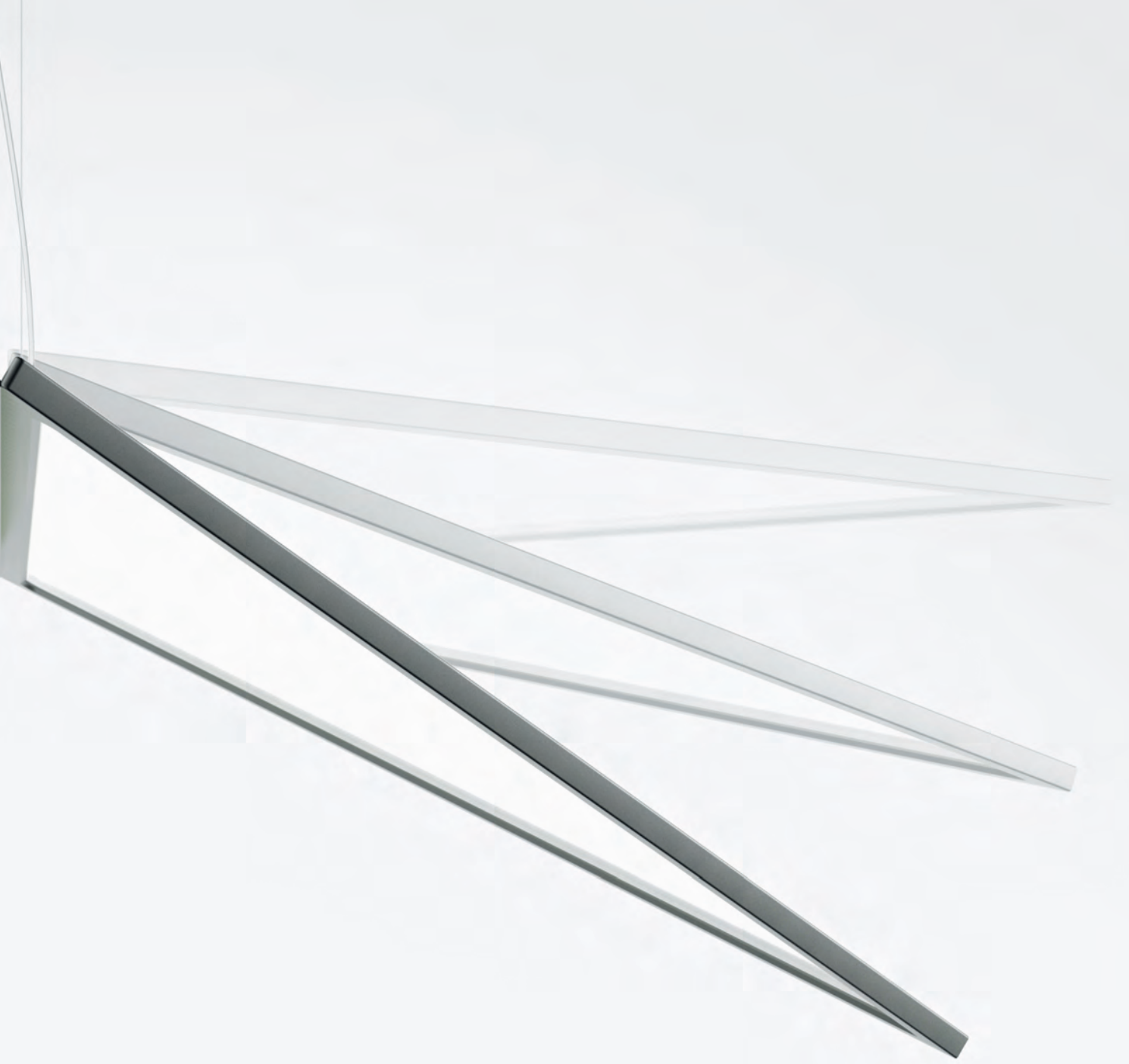


# Acoustic Quality

The acoustic panel section controls reverberation, absorbing the sound waves reflected in the environment. Shape, materials and density are selected to work mainly on the frequencies of human speech. The result is beauty that derives from a parametric and functional intelligence.

# Flexible wings



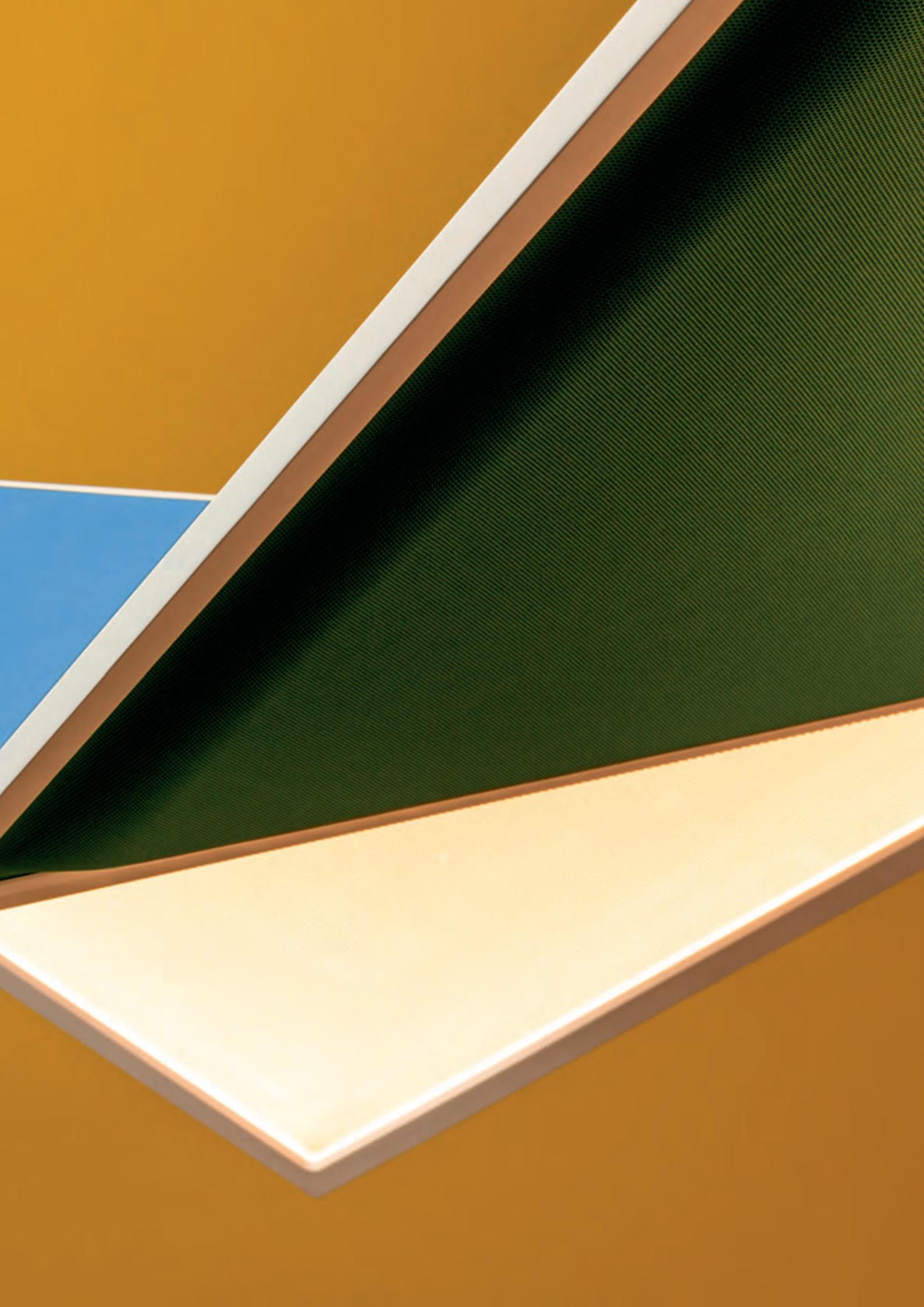


Flexia's flexible wings are equipped with a rotation mechanism that goes from 0 to 30° and 60°. The many possible inclinations and positions can help in calibrating light and acoustic interaction with the environment.



# Sustainable Innovation

Flexia has a reduced energy footprint, high efficiency and flexible control for environmentally friendly use. Flexia shows how the sustainability of a building can also be achieved starting from the elements that animate the spaces.



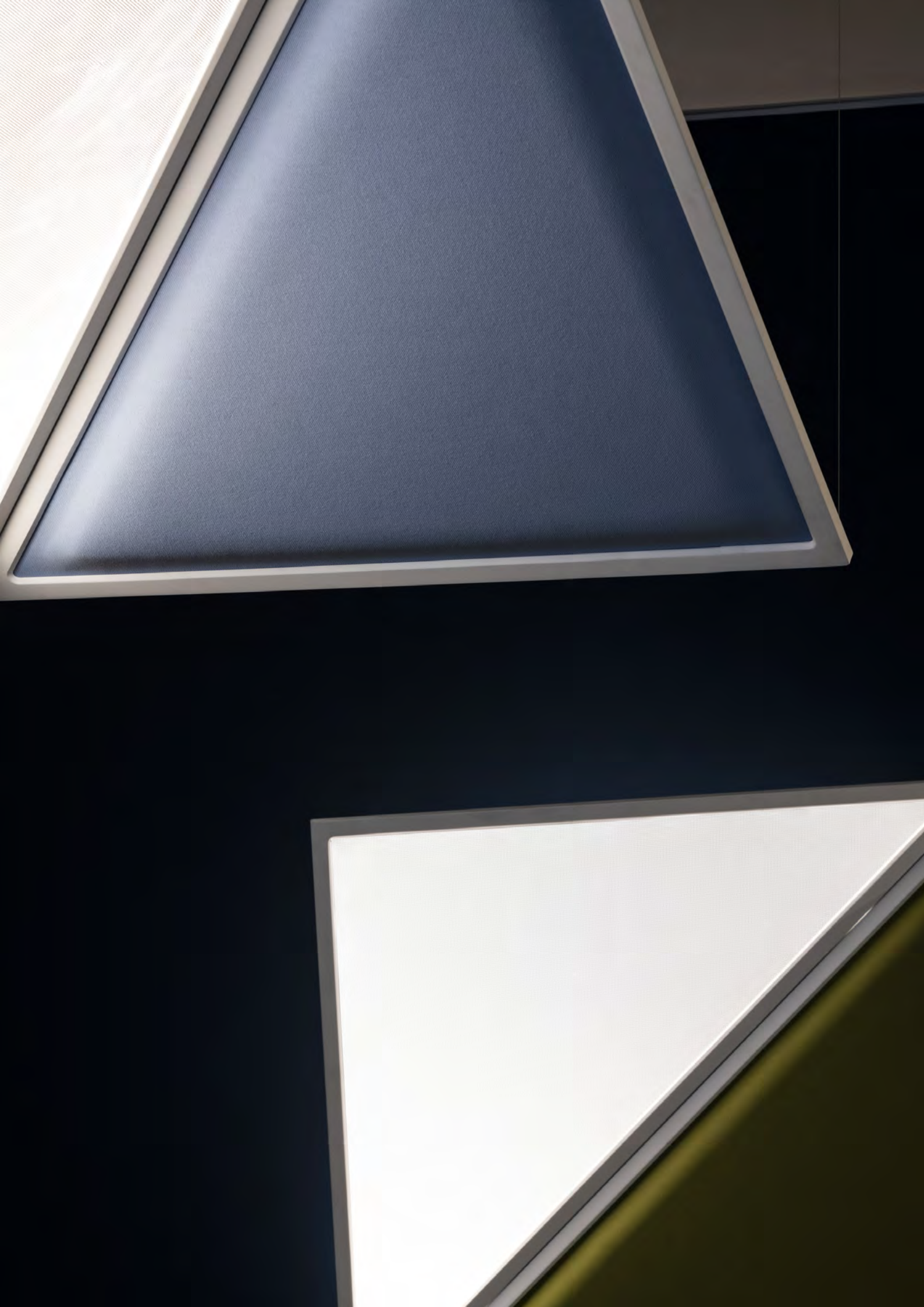






# Intelligent Flexibility

Flexia versatile design fits transversally into all contexts in which acoustic and visual well-being needs to be assured. The juxtaposition of multiple modules can create Flexia System configuration to shape environments based on the principles of perfectly balanced light and sound.



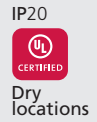
# ↪ FLEXIA SUSPENSION

Green Blue Orange



120/277Vac 50/60Hz  
built-in electronic driver in canopy

MacAdam 3SDMC  
Life L70(6K) 50000h  
CRI=90



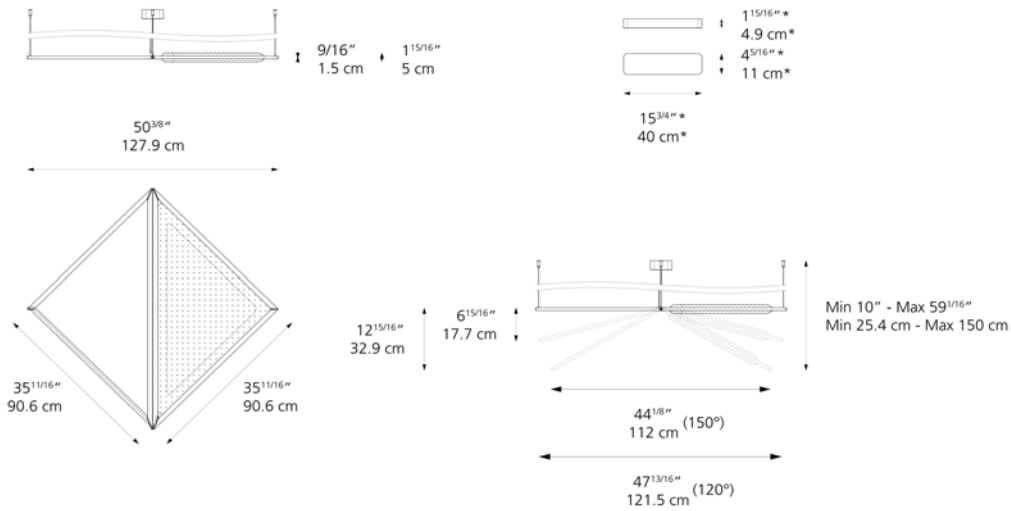
## HIGH EFFICACY

W	Flux	CCT	COLOR	Dimmable 2-wire/0-10V Code
42 W	5005 lm	3000K	●	<a href="#">CC100008</a>
			●	<a href="#">CC103008</a>
			●	<a href="#">CC104008</a>



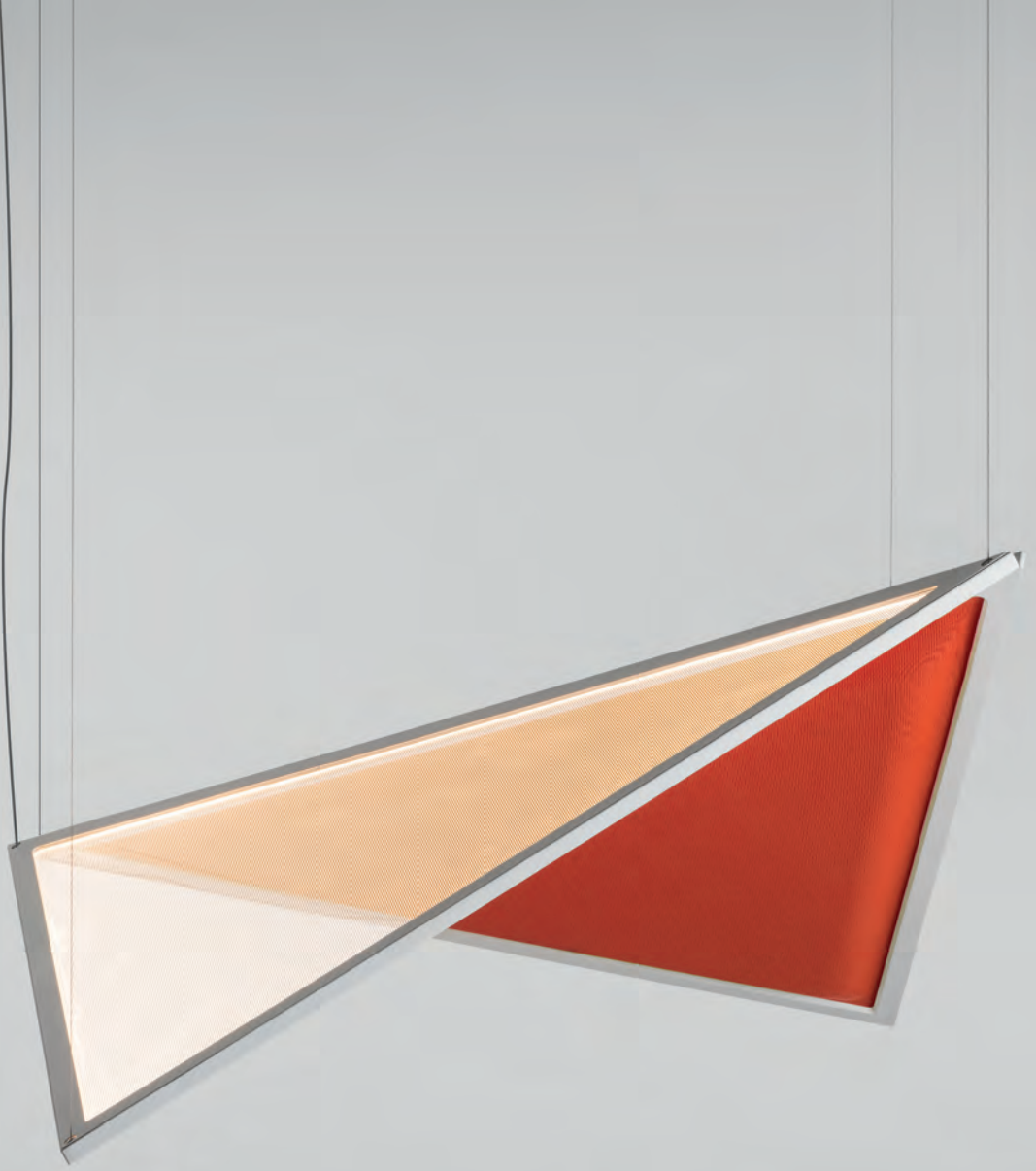
## HIGH OUTPUT

W	Flux	CCT	COLOR	Dimmable 0-10V Code
65 W	6475 lm	3000K	●	<a href="#">CC130008</a>
			●	<a href="#">CC131008</a>
			●	<a href="#">CC132008</a>



\*Canopy






# ↪ FLEXIA WALL/CEILING

Green Blue Orange



120/277Vac 50/60Hz  
built-in electronic driver in canopy

MacAdam 3SDMC  
Life L70(6K) 50000h  
CRI=90

IP20  
  
Dry  
locations

## HIGH EFFICACY

W	Flux	CCT	COLOR
42 W	5005 lm	3000K	● ● ●

### Dimmable 2-wire/0-10V

Code
<a href="#">CC600008</a>
<a href="#">CC603008</a>
<a href="#">CC604008</a>

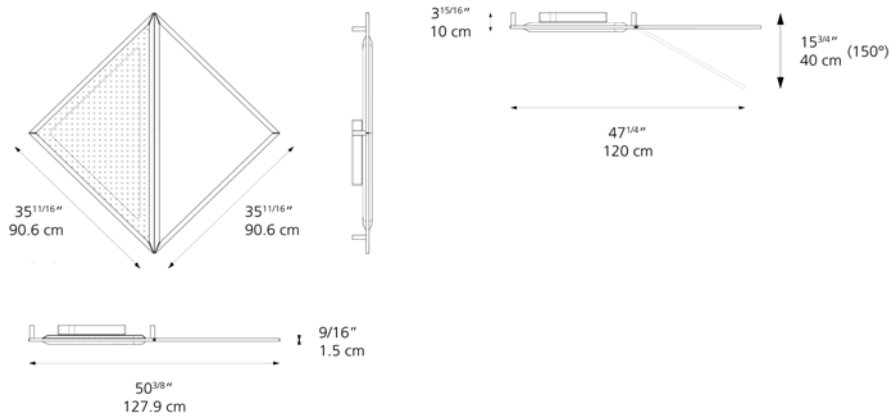


## HIGH OUTPUT

W	Flux	CCT	COLOR
65 W	6475 lm	3000K	● ● ●

### Dimmable 0-10V

Code
<a href="#">CC630008</a>
<a href="#">CC631008</a>
<a href="#">CC632008</a>















## Artemide INC

250 Karin Lane  
Hicksville, NY 11801  
Tel. 631-694-9292  
[artemide.net](http://artemide.net)

## Artemide Ltd

11105 rue Renaude Lapointe  
Montréal, Québec, H1J 2T4  
Tel. 514-323-6537  
[artemide.net](http://artemide.net)



ISO 9001:2015



ISO 14001:2015



ISO 45001:2018

### Artemide INC - Artemide Ltd

Reserves right to change, at any time and without prior warning, the technical specifications of any product illustrated in this catalogue.

### Artemide INC - Artemide Ltd

Se réserve le droit de modifier, à n'importe quel moment et sans préavis, les caractéristiques techniques des éléments illustrés dans ce catalogue.

### Artemide INC - Artemide Ltd

Se reserva la facultad de modificar, en cualquier y sin aviso previo, las características técnicas de los elementos ilustrados en el presente catálogo.