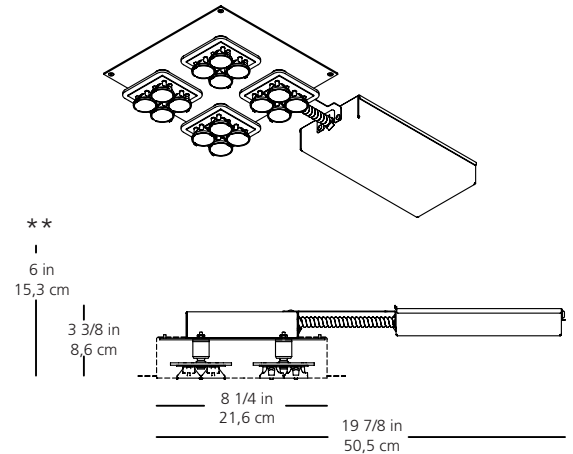


Project:	Type:
Notes:	

UNA PRO 75 RECESSED SQUARE (NON-IC)

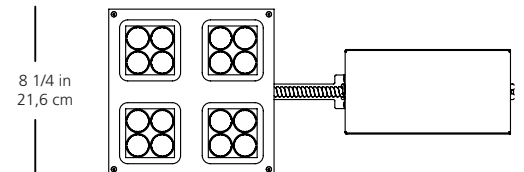
Design Carlotta de Bevilacqua



* Complete installation requires a mounting frame, sold separately (see page 2)
 ** 6" clearance requires for installation

#CAT	LED COLOR	OPTIC	LENS HOLDER	DRIVER	FINISH
USC-DPU75HS	_____	_____	_____	_____	_____
LED color	30 = 3000K, 80CRI				
Optic	NB = Narrow beam 6° MB = Medium beam 20° WB = Wide beam 38°				
Lens holder color	C = Clear				
Driver	06 = DIM 2 wires - Phase dimming (120V only) 08 = DIM 0-10V (UNV)				
Finish	W = White/White (powder coat top plate and heatsink)				

QUANTITY



For different CCT, CRI or driver options, please contact your local Artemide Sales Representative

TECHNICAL DATA:

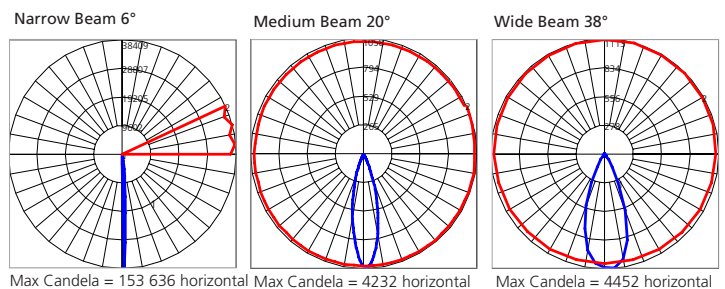
	80CRI		
	3000K		
Beam angle:	6°	20°	38°
Power consumption:	30W		
Lumen Nominal:	1704lm		
Lumen Delivered:	1280	1252	1188
Efficacy lm/W :	42.7	41.7	39.6
Efficiency (%):	75%	73%	70%

FEATURES:

- The led board is mounted on a rotating aluminum heatsink allowing a 360° orientation horizontally with a 30° tilt angle.
- Lens holders are available in white and clear upon request.
- The galvanized steel driver housing is mounted on a flexible arm.
- Note: for other finishes, please contact your local Artemide sales representative.

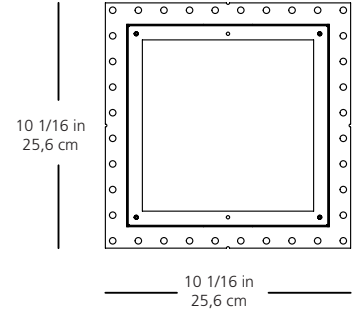
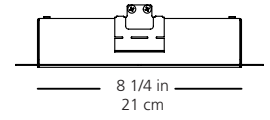
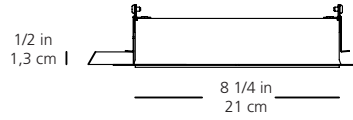
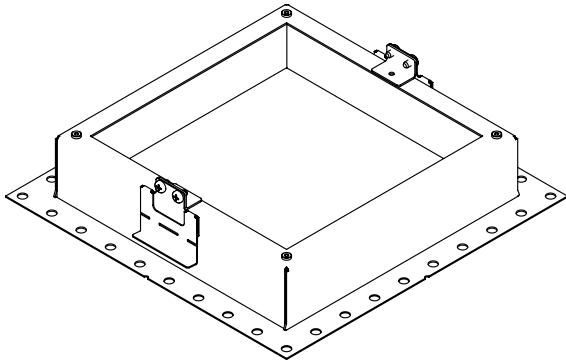
- suitable for dry location

PHOTOMETRIC DATA: per head

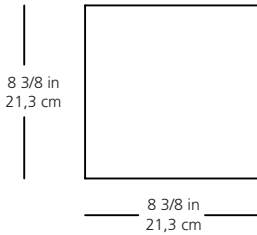


Project:	Type:
Notes:	

MOUNTING FRAME - UNA PRO 75 RECESSED SQUARE (NON-IC)
Design Carlotta de Bevilacqua



CEILING CUT-OUT:



#CAT	FINISH	TEXTURE	QUANTITY
<input type="checkbox"/> USC-DPU75FSW	WHITE	FINE TEXTURE POWDER COAT	

FEATURES:

- Cold rolled steel housing with powder coat finish.
- Alignment details available on each sides of the frame for precise alignment.
- Ceiling mounting brackets hold the frame in place without the need of holding it for final adjustment.
- Ceiling brackets can accept ceiling thickness up to 1" (25mm).
- Note: for other finishes, please contact your local Artemide sale representative.

Project:	Type:
Notes:	

UNA PRO ACCESSORIES
Design Carlotta de Bevilacqua

Note : Lens kit and Lens Holder Kit are sold separately



Standard



Optional

Lens Holder Kit:

#CAT	type	kit	color	Quantity
USC-DPU	LH	___	___	___

Type	LH = Lens holder
Kit	4 = for 4 LED 16 = for 16 LED
Color	B = Black W = White C = Clear

Lens Kit:

#CAT	type	kit	color	Quantity
USC-DPU	L	___	___	___

Type	L = Lens
Kit	4 = for 4 LED 16 = for 16 LED
Color	NB = Narrow Beam 6° MB = Medium Beam 20° WB = Wide Beam 38°