

Project:	Type:
Notes:	

## UNA PRO 75 RECESSED SINGLE (NON-IC)

Design Carlotta de Bevilacqua



\* Complete installation requires a mounting frame, sold separately (see page 2)

\*\* 8" clearance requires for installation with 90 degree BX conduit connector.

#CAT	LED COLOR	OPTIC	LENS HOLDER	DRIVER	FINISH
<b>USC-DPU75H1</b>					

LED color	<b>30</b> = 3000K, 80CRI
Optic	<b>NB</b> = Narrow beam 6° <b>MB</b> = Medium beam 20° <b>WB</b> = Wide beam 38°
Lens holder color	<b>C</b> = Clear
Driver	<b>06</b> = DIM 2 wires - Phase dimming (120V only) <b>08</b> = DIM 0-10V (UNV)
Finish	<b>W</b> = White/White (powder coat top plate and heatsink)


For different CCT, CRI or driver options,  
please contact your local Artemide Sales Representative

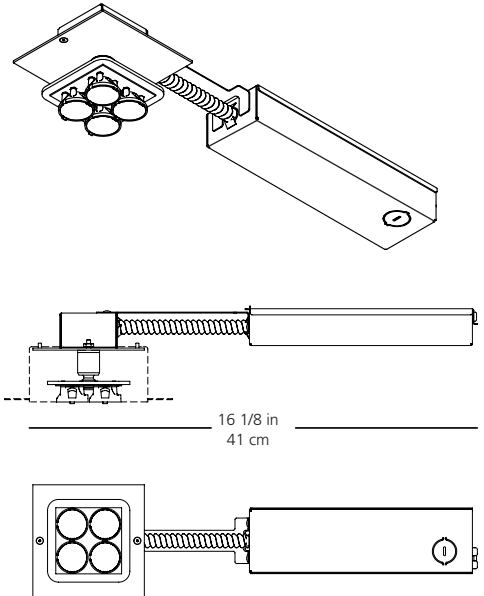
### TECHNICAL DATA: Data per head

	80CRI		
	3000K		
Beam angle:	6°	20°	38°
Power consumption:	7.5W		
Lumen Nominal:	426lm		
Lumen Delivered:	320	313	297
Efficacy lm/W :	42.7	41.7	39.6
Efficiency (%):	75%	73%	70%

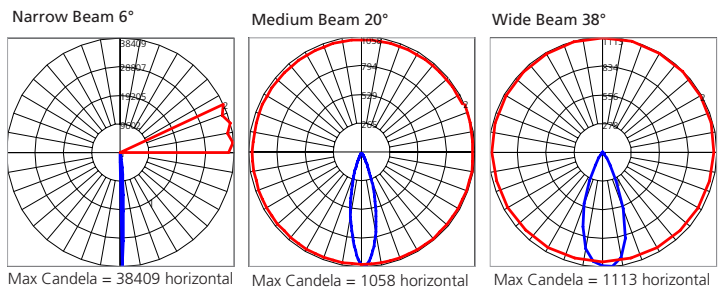
### FEATURES:

- The led board is mounted on a rotating aluminum heatsink allowing a 360° orientation horizontally with a 30° tilt angle.
- Lens holders are also available in white and clear upon request.
- The galvanized steel driver housing is mounted on a flexible arm.
- Note: for other finishes, please contact your local Artemide sale representative.

-  suitable for dry location

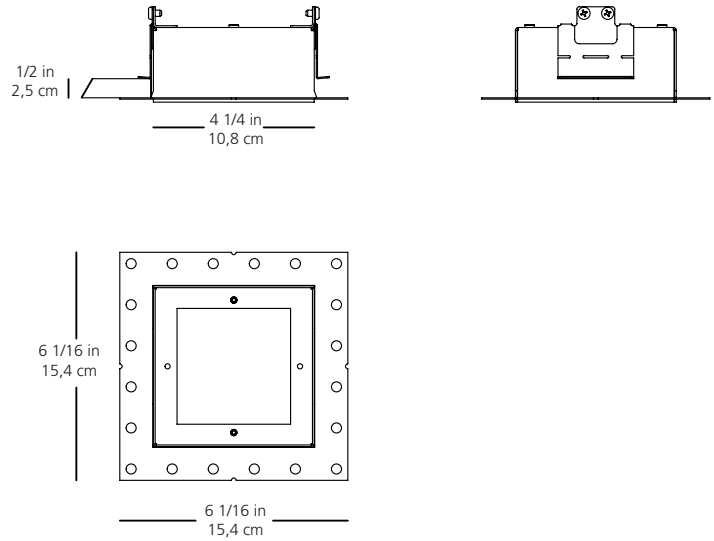
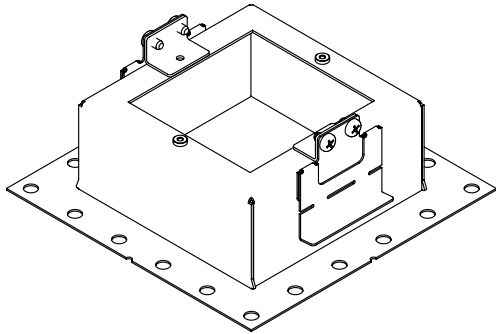


### PHOTOMETRIC DATA:

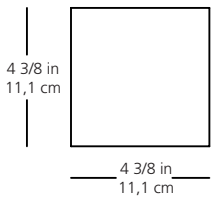


Project:	Type:
Notes:	

**MOUNTING FRAME - UNA PRO 75 RECESSED SINGLE (NON-IC)**  
Design Carlotta de Bevilacqua



**CEILING CUT-OUT:**



#CAT	FINISH	TEXTURE	QUANTITY
<input type="checkbox"/> USC-DPU75F1W	WHITE	FINE TEXTURE POWDER COAT	

**FEATURES:**

- Cold rolled steel housing with powder coat finish.
- Alignment details available on each sides of the frame for precise alignment.
- Ceiling mounting brackets hold the frame in place without the need of holding it for final adjustment.
- Ceiling brackets can accept ceiling thickness up to 1" (25mm).
- Note: for other finishes, please contact your local Artemide sale representative.

Project:	Type:
Notes:	

UNA PRO ACCESSORIES  
Design Carlotta de Bevilacqua

**Note : Lens kit and Lens Holder Kit are sold separately**



Standard



Optional

**Lens Holder Kit:**

#CAT	type	kit	color	Quantity
USC-DPU	LH	___	___	___

Type	LH = Lens holder
Kit	4 = for 4 LED 16 = for 16 LED
Color	B = Black W = White C = Clear

**Lens Kit:**

#CAT	type	kit	color	Quantity
USC-DPU	L	___	___	___

Type	L = Lens
Kit	4 = for 4 LED 16 = for 16 LED
Color	NB = Narrow Beam 6° MB = Medium Beam 20° WB = Wide Beam 38°