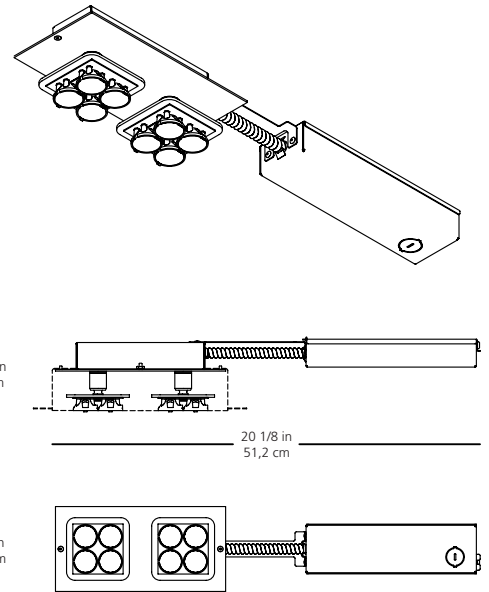
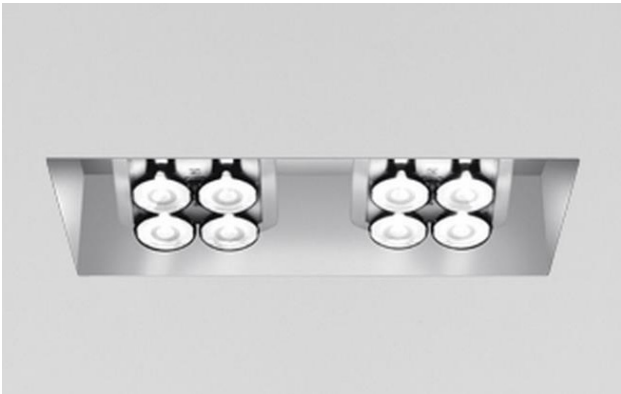


| | |
|----------|-------|
| Project: | Type: |
| Notes: | |

UNA PRO 75 RECESSED DOUBLE (NON-IC)

Design Carlotta de Bevilacqua



* Complete installation requires a mounting frame, sold separately (see page 2)
** 6" clearance requires for installation

| #CAT | LED COLOR | OPTIC | LENS HOLDER | DRIVER | FINISH |
|--------------------|-----------|-------|-------------|--------|--------|
| USC-DPU75H2 | _____ | _____ | _____ | _____ | _____ |

| QUANTITY |
|----------|
| |

| | |
|-------------------|--|
| LED color | 30 = 3000K, 80CRI |
| Optic | NB = Narrow beam 6° MB = Medium beam 20° WB = Wide beam 38° |
| Lens holder color | C = Clear |
| Driver | 06 = DIM 2 wires - Phase dimming (120V only) 08 = DIM 0-10V (UNV) |
| Finish | W = White/White (powder coat top plate and heatsink) |

For different CCT, CRI or driver options,
please contact your local Artemide Sales Representative

TECHNICAL DATA:

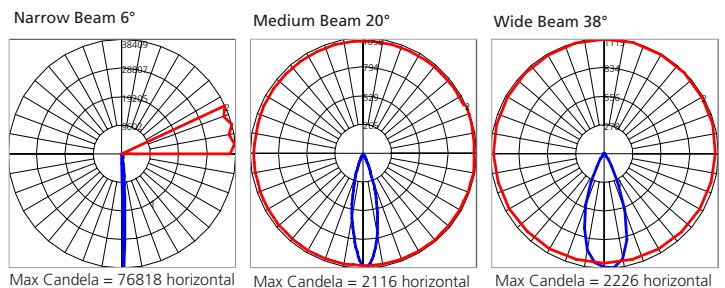
| | 80CRI | | |
|--------------------|-------|------|------|
| | 3000K | | |
| Beam angle: | 6° | 20° | 38° |
| Power consumption: | 15W | | |
| Lumen Nominal: | 852lm | | |
| Lumen Delivered: | 640 | 626 | 594 |
| Efficacy lm/W : | 42.7 | 41.7 | 39.6 |
| Efficiency (%): | 75% | 73% | 70% |

FEATURES:

- The led board is mounted on a rotating aluminum heatsink allowing a 360° orientation horizontally with a 30° tilt angle.
- Lens holders are available in white and black upon request.
- The galvanized steel driver housing is mounted on a flexible arm.
- Note: for other finishes, please contact your local Artemide sale representative.

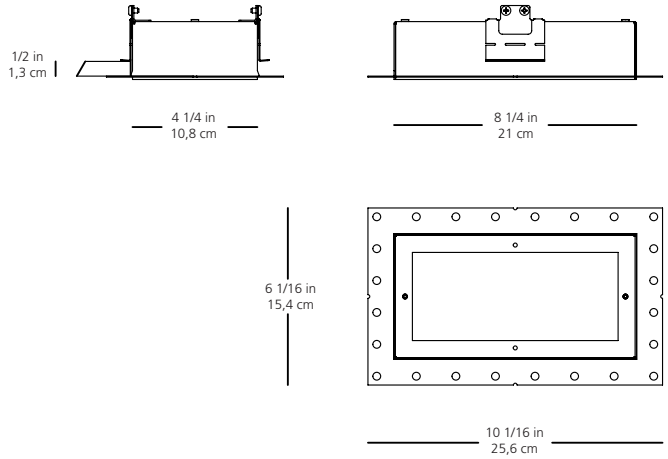
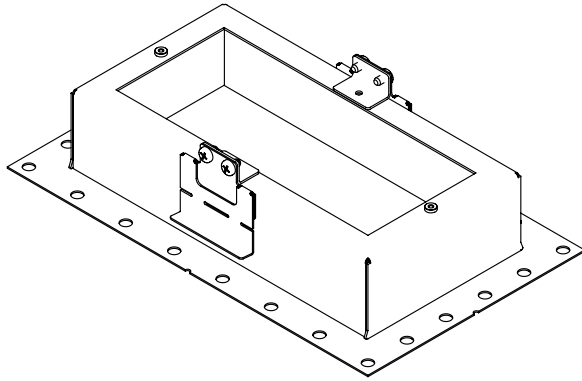
- suitable for dry location

PHOTOMETRIC DATA: per head

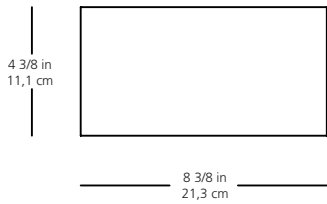


| | |
|----------|-------|
| Project: | Type: |
| Notes: | |

MOUNTING FRAME - UNA PRO 75 RECESSED DOUBLE (NON-IC)
Design Carlotta de Bevilacqua



CEILING CUT-OUT:



| #CAT | FINISH | TEXTURE | QUANTITY |
|---------------------------------------|--------|--------------------------|----------|
| <input type="checkbox"/> USC-DPU75F2W | WHITE | FINE TEXTURE POWDER COAT | |

FEATURES:

- Cold rolled steel housing with powder coat finish.
- Alignment details available on each sides of the frame for precise alignment.
- Ceiling mounting brackets hold the frame in place without the need of holding it for final adjustment.
- Ceiling brackets can accept ceiling thickness up to 1" (25mm).
- Note: for other finishes, please contact your local Artemide sale representative.

| | |
|----------|-------|
| Project: | Type: |
| Notes: | |

UNA PRO ACCESSORIES
Design Carlotta de Bevilacqua

Note : Lens kit and Lens Holder Kit are sold separately



Standard



Optional

Lens Holder Kit:

| #CAT | type | kit | color |
|---------|-----------|-----|-------|
| USC-DPU | LH | ___ | ___ |

| Quantity |
|----------|
| ___ |

| | |
|-------|--|
| Type | LH = Lens holder |
| Kit | 4 = for 4 LED 16 = for 16 LED |
| Color | B = Black W = White C = Clear |

Lens Kit:

| #CAT | type | kit | color |
|---------|----------|-----|-------|
| USC-DPU | L | ___ | ___ |

| Quantity |
|----------|
| ___ |

| | |
|-------|--|
| Type | L = Lens |
| Kit | 4 = for 4 LED 16 = for 16 LED |
| Color | NB = Narrow Beam 6° MB = Medium Beam 20° WB = Wide Beam 38° |