

Code:	Project:	Type:
	Notes:	

PICTO 125 LED

Design Artemide

#CAT	source	typology	circuit	led color	beam angle	driver	finish
USC-MP12	L	T	—	—	—	06	—

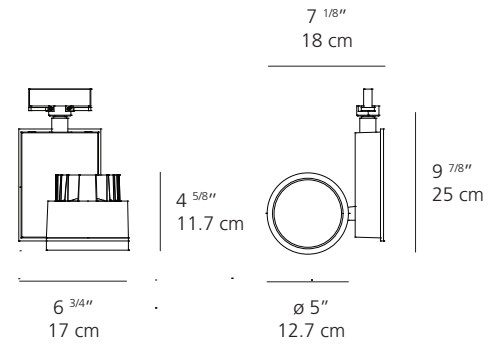
Quantity



source	L = LED
typology	T = Track
Circuit	C2 = 2 circuit
LED color	30 = 3000K, 80CRI 35 = 3500K, 80CRI
beam angle	NB = Narrow beam 16° MB = Medium beam 36°
driver	06 = DIM 2 wires phase dimming (120V only)
finish	B = Black with white decorative ring W = White with black decorative ring A = Silver with black decorative ring

TECHNICAL DATA :

	80CRI			
	3000K		3500K	
Beam angle:	16°	36°	16°	36°
Power consumption:	38W			
Lumen Nominal:	3454lm			
Lumen Delivered:	2072	1899	2134	1956
Efficacy lm/W :	55	50	56	51
Efficiency (%) :	60%	55%	62%	57%



FEATURES:

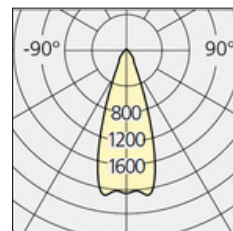
Construction : Tilt angle from +90° to -90° and rotation 355°. Die-cast aluminum body. Wide range of accessories (see page 2).

Notes: for all other finishes, please contact your local Artemide sale representative.

Label:   - suitable for dry locations
Class: IP20

PHOTOMETRIC DATA:

Photometric curve (cd) :



Code:	Project:	Type:
	Notes:	

PICTO 125 LED

Design Artemide

ACCESSORIES:

UV Filter : ø 4 3/8" (11 cm)



Code	Color	Quantity
USC-M080535	standard	

Accessory-holder + filter : ø 5" (12,6 cm)



Code	Description	Color		Quantity
USC-M0835_7	IR Filter			
USC-M0836_7	Chromatic filter "warmtone"	1	black	
USC-M0837_7	Chromatic filter "coldtone"	2	white	
USC-M0834_7	Lens for elliptical light distribution			

Accessory-holder + adj. dowser : ø 5" (12,6 cm)



Code	Color		Quantity
USC-M0829_7	1	black	
	2	white	

Accessory-holder + wall washer screen : ø 5" (12,6 cm)



Code	Color		Quantity
USC-M0831_7	1	black	
	2	white	

Accessory-holder + louvre : ø 5" (12,6 cm)



Code	Color		Quantity
USC-M0833_7	1	black	
	2	white	