

Code:	Project:	Type:
	Notes:	

LoT RGBW track 2 circuit

Design Tapio Rosenius

#CAT	TYPE	CODE	COLOR	MARKET
USC-AA	4	00	—	5

QUANTITY
—

Type	4 = Track 2 circuit 120V
Series	00 = RGBW DMX 90CRI
Color	01 = White powder coat 04 = Black powder coat
Market	5 = cULus



Note:

For a complete installation the Track Adaptor End of Line Resistor is required. Refer to page 2.

TECHNICAL DATA

Max power input : 85W , 0.70A (120V) , 0.30A (277V)
 Continuous power : 60W , 0.50A (120V) , 0.22A (277V)
 Adjustable Beam angle : 5° to 60° through DMX control
 Lumen per Beam angle : 64lm to 3820lm

Lumen output by total beam angle

reference white 27K:

5° = 1166.78 lm
 21° = 2090.40 lm
 28° = 2239.59 lm
 34° = 3750.43 lm
 38° = 3788.02 lm
 42° = 3820.89m
 56° = 1987.42lm

Efficacy:

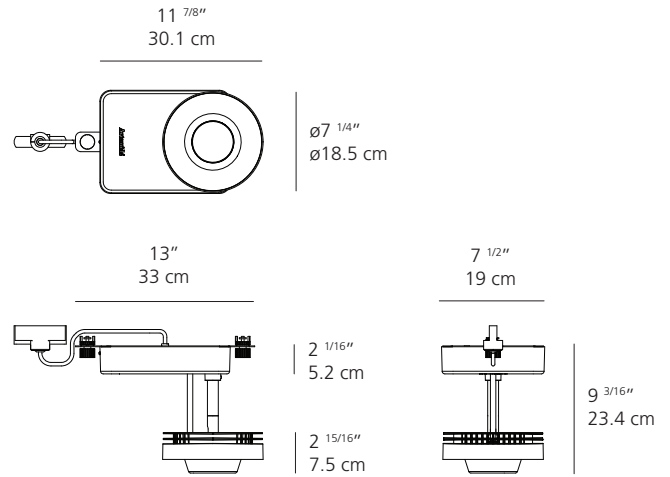
5° = 19.45 lm/W
 21° = 34.84 lm/W
 28° = 37.33 lm/W
 34° = 62.51 lm/W
 38° = 63.13 lm/W
 42° = 63.68 lm/W
 56° = 33.12 lm/W

Lumen output by color:

RED = 224.88 lm
 GREEN = 388.67 lm
 BLUE = 64.05 lm
 WHITE (30K) = 266.88 lm

Efficacy:

RED = 3.75 lm/W
 GREEN = 6.48 lm/W
 BLUE = 1.07 lm/W
 WHITE (30K) = 4.45 lm/W



FEATURES

Construction : Lot beam distribution from 5 degrees to 60 in single unit. Heat sink,arm and driver housing in die-cast aluminium, powder coating in white or black. Lens in transparent polycarbonate. Compatible with Eutrac products. (Refer to Eutrac specification sheet)
 To be used in conjunction with DALI 2 circuit tracks 120V.

Weight : 13.2lbs (6kg)

Labels: suitable for damp location **IP20**



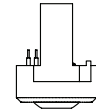
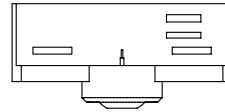
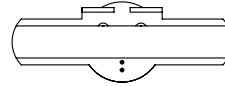
Code:	Project:	Type:
	Notes:	

TRACK ADAPTOR: END OF LINE RESISTOR

#CAT	QUANTITY
USC-L172221 (white)	—
USC-L172231 (black)	—

Note:

The End of Line Resistor is required at the end of each circuit of LOT to a maximum of 32 luminaires per circuits.



3-3/4"
(95mm)

1-3/8"
(35mm)

3/4"
(19mm)

Code:	Project:
	Notes:

LoT DMX CONTROL

DMX is a lighting control protocol which allows users to have ultimate control over their lighting needs

DMX CONTROL USB & ETHERNET

#CAT	QUANTITY
USC-AD0300001	—



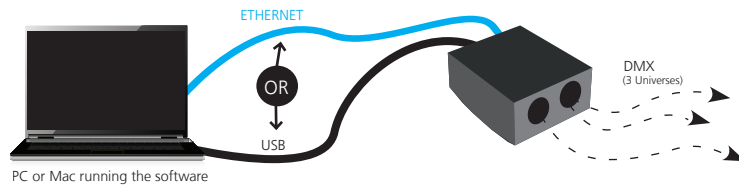
TECHNICAL DATA

Power input : 5-5.5VDC , 0.6A (power supply included)
 Output protocol : DMX 512 chanel (x2)
 Programmability : PC, MAC, Tablet, Smart-phone
 Connections : Mini USB, XLR3, XLR5, Ethernet, 2x HE10, battery (included)
 Memory : microSD card 4GB max (inlcuded)
 Buttons : 2 buttons to change scene + 1 button to change area
 OS Requirements : Windows 7/8/10, Mac OS X 10.8-10.12
 Software : ESA Pro or ESA Stand Alone 2 / App Esay remote

- Standard USB & Ethernet DMX
- 3 DMX 512 universes in live mode with a computer.
 - 2 DMX 512 universes in stand alone mode
 - 250 scenes across 5 areas
 - 8 dry contact trigger ports via HE10 connector
 - USB & Ethernet connectivity for programming/control
 - Multy-zone microSD memory
 - Clock and calendar with Sunrise/Sunset triggering
 - Network communication (Control lighting remotly)
 - Windows/Mac software to set dynamic colors/effects
 - iPhone/iPad/Android remote and programming apps

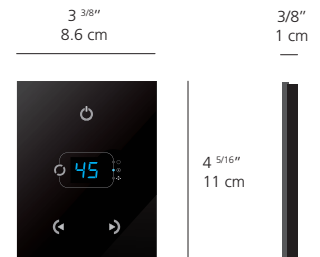
CONNECTIVITY

Live use with a computer



DMX CONTROL WALL MOUNTED USB

#CAT	QUANTITY
USC-AD0300002	—



TECHNICAL DATA

Power input : 5-12VDC (power supply included)
 Output protocol : DMX 512 chanel
 Programmability : 32 bit ARM
 Connections : Micro USB cable (included)
 Memory : 140
 Buttons : 4 touch sensitive buttons
 OS Requirements : Windows XP/VISTA/7/8, Mac OSx 10.6/10.7/10.8
 Software : ESA2

- Touch-sensitive control keypad USB DMX "Stand alone"
- DMX 512 universes in stand alone mode
 - 99 scenes across 1 area
 - Ready to use (pre-loaded with 8 scenes and 170 RGB fixtures)
 - 8 dry contact trigger ports on PCB & 2 on RJ45
 - USB connectivity for programming/control
 - Windows/Mac software to set dynamic colors/effects