

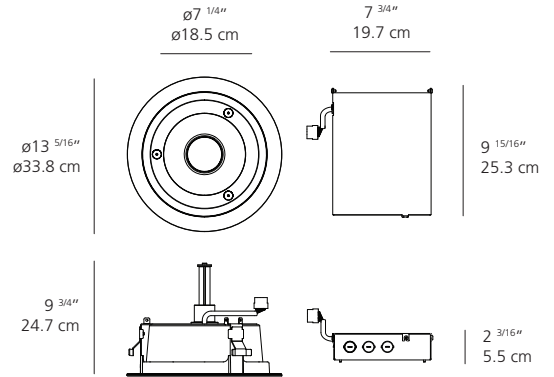
Code:	Project:	Type:
	Notes:	

LoT RGBW Recessed

Design Tapio Rosenius

#CAT	TYPE	CODE	COLOR	MARKET	QUANTITY
USC-AA	—	00	—	5	—

Type	1 = Recessed Trimless 2 = Recessed Trim
Code	00 = RGBW DMX 90CRI
Color	01 = White powder coat frame + White engine 04 = Black powder coat frame + Black engine 54 = White powder coat frame + Black engine
Market	5 = cULus



TECHNICAL DATA

Max power input : 85W , 0.70A (120V) , 0.30A (277V)
 Continuous power : 60W , 0.50A (120V) , 0.22A (277V)
 Adjustable Beam angle : 5° to 60° through DMX control
 Lumen per Beam angle : 64lm to 3820lm

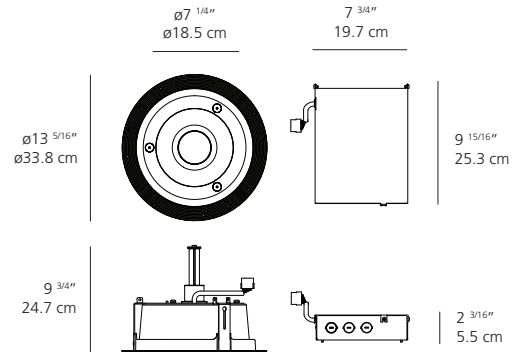
Lumen output by total beam angle

reference white 27K:

5° = 1166.78 lm	Efficacy: 5° = 19.45 lm/W
21° = 2090.40 lm	21° = 34.84 lm/W
28° = 2239.59 lm	28° = 37.33 lm/W
34° = 3750.43 lm	34° = 62.51 lm/W
38° = 3788.02 lm	38° = 63.13 lm/W
42° = 3820.89m	42° = 63.68 lm/W
56° = 1987.42lm	56° = 33.12 lm/W

Lumen output by color:

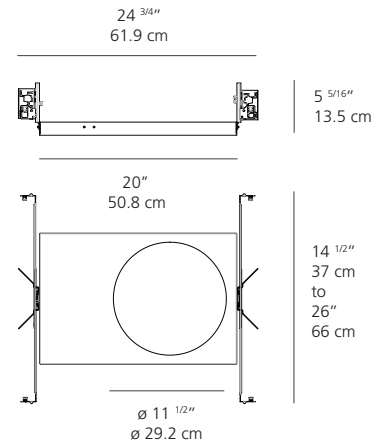
RED = 224.88 lm	Efficacy: RED = 3.75 lm/W
GREEN = 388.67 lm	GREEN = 6.48 lm/W
BLUE = 64.05 lm	BLUE = 1.07 lm/W
WHITE (30K) = 266.88 lm	WHITE = 4.45 lm/W



NEW CONSTRUCTION FRAME

#CAT	QUANTITY
USC-MLTN	—


Construction : Galvanized steel frame. For wood joist and grid ceilings.
 Mounting bar extends from 14 3/8" to 26" (360- 660mm). Mounting bars can be positioned on both sides of the mounting frame.



FEATURES

Construction : Lot beam distribution from 5 degrees to 60 in single unit. Heat sink,arm and driver housing in die-cast aluminium, powder coating in white or black. Lens in transparent polycarbonate. Recessed is inherently protected (suitable for Type IC or NON-IC) Driver housing in Galvanized steel. Cable with connectors of 2ft provided.

Weight : 13.2lbs (6kg)

Labels: suitable for damp location IP20 

Code:	Project:	Type:
	Notes:	

LoT DMX CONTROL

DMX is a lighting control protocol which allows users to have ultimate control over their lighting needs

DMX CONTROL USB & ETHERNET

#CAT	QUANTITY
USC-AD0300001	—



TECHNICAL DATA

Power input : 5-5.5VDC , 0.6A (power supply included)
 Output protocol : DMX 512 chanel (x2)
 Programmability : PC, MAC, Tablet, Smart-phone
 Connections : Mini USB, XLR3, XLR5, Ethernet, 2x HE10, battery (included)
 Memory : microSD card 4GB max (inlcuded)
 Buttons : 2 buttons to change scene + 1 button to change area
 OS Requirements : Windows 7/8/10, Mac OS X 10.8-10.12
 Software : ESA Pro or ESA Stand Alone 2 / App Esay remote

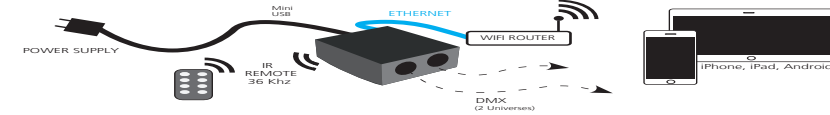
- Standard USB & Ethernet DMX
- 3 DMX 512 universes in live mode with a computer.
 - 2 DMX 512 universes in stand alone mode
 - 250 scenes across 5 areas
 - 8 dry contact trigger ports via HE10 connector
 - USB & Ethernet connectivity for programming/control
 - Multy-zone microSD memory
 - Clock and calendar with Sunrise/Sunset triggering
 - Network communication (Control lighting remotly)
 - Windows/Mac software to set dynamic colors/effects
 - iPhone/iPad/Android remote and programming apps

CONNECTIVITY

Live use with a computer

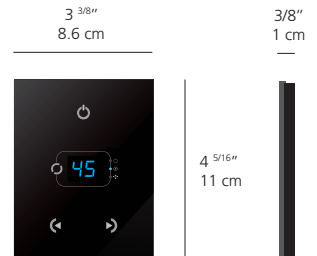


Stand Alone use



DMX CONTROL WALL MOUNTED USB

#CAT	QUANTITY
USC-AD0300002	—



TECHNICAL DATA

Power input : 5-12VDC (power supply included)
 Output protocol : DMX 512 chanel
 Programmability : 32 bit ARM
 Connections : Micro USB cable (included)
 Memory : 140
 Buttons : 4 touch sensitive buttons
 OS Requirements : Windows XP/VISTA/7/8, Mac OSx 10.6/10.7/10.8
 Software : ESA2

- Touch-sensitive control keypad USB DMX "Stand alone"
- DMX 512 universes in stand alone mode
 - 99 scenes across 1 area
 - Ready to use (pre-loaded with 8 scenes and 170 RGB fixtures)
 - 8 dry contact trigger ports on PCB & 2 on RJ45
 - USB connectivity for programming/control
 - Windows/Mac software to set dynamic colors/effects