

## EVERYTHING 150 ROUND TRIMLESS

Ernesto Gismondi

## SUBMITTAL FORM

#CAT	SERIE	TYPE	SHAPE	MOUNTIG	CCT	BEAM	COLOR
USC-AEVH	15	---	R	TL	---	---	C

QUANTITY

Serie	<b>15</b> = Everything 150
Type	<b>A</b> = Adjustable <b>D</b> = Downlight
Mounting	<b>TL</b> = Trimless
CCT	<b>27</b> = 2700K / 90CRI <b>30</b> = 3000K / 90CRI <b>35</b> = 3500K / 90CRI
Beam angle	<b>SP</b> = 18 deg <b>NF</b> = 28 deg
Cone color	<b>C</b> = Chrome reflector

MODEL 150 IS ONLY AVAILABLE WITH SPOT AND NARROW FLOOD OPTICS

### TECHNICAL DATA:

Everything 150 Round / Square	90CRI					
	2700K		3000K		3500K	
Beam angle:	18°	28°	18°	28°	18°	28°
Power consumption:	30W					
Lumen Nominal:	2645lm		2763lm		2817lm	
Lumen Delivered:	2327	1812	2431	1892	2479	1930
Efficacy lm/W:	78	60	81	63	83	64
Efficiency (%):	88%	69%	88%	69%	88%	69%


### FEATURES:

#### Construction :

Light module: plaster frame. Thermoplastic housing. Provide with quick connector for easy connection with new construction frame.

Frame: NON-IC New construction mounting frame. (see page 2)

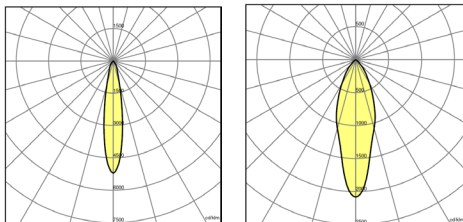
Weight: 0.56lbs (0.25Kg)

Label:  **us** - suitable for dry locations

Class: **IP20** 

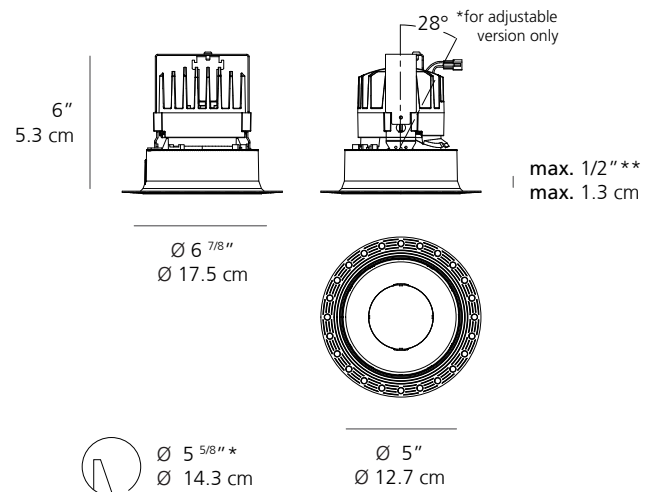
### PHOTOMETRIC DATA:

3000K SHOWN DATA



Max Candela: 5208 cd/klm  
Everything 150 30K 18° CH  
V = 0° H = 0°

Max Candela: 2083 cd/klm  
Everything 150 30K 28° CH  
V = 0° H = 0°



Project Name	
Floorplan Ref. Type	
Quantity	
Notes	
Date	
Signature & Stamp	

## EVERYTHING 150 ROUND INSTALLATION

Ernesto Gismondi

### NEW CONSTRUCTION FRAME:

#CAT	SERIE	SHAPE	MOUNTING	DRIVER	QUANTITY
USC-AEVF	15	R	N	—	

Serie	15 = Everything 150
Shape	R = Round
mounting	N = New construction frame (NON-IC)
Driver	11 = 0-10V (120V only) 12 = 0-10V (277V only)

#### Construction :

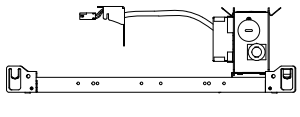
Galvanized steel frame.

Alignment details available on each side of the frame for precision.

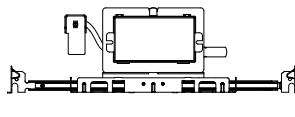
For wood joist and grid ceilings.

Mounting bar extends from 14 3/8" to 26" (360- 660mm).

Easy driver replacement from ceiling aperture.

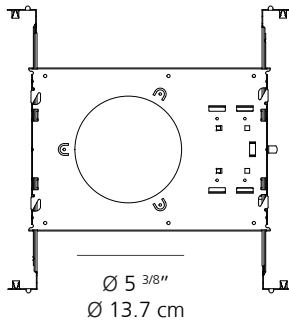


15"  
38.1 cm



4 1/2"  
11.4 cm

14 1/2"  
37 cm  
to  
26"  
66 cm



Ø 5 3/8"  
Ø 13.7 cm