



Attention: Read and understand these instructions before installing fixture. This fixture is intended for installation in accordance with National Electric Code and local regulation: To assure full compliance with local codes and regulations, check with your local electrical inspector before installation. This equipment is guaranteed only when used as indicated in these instructions; Therefore they should be kept for future reference. To prevent electrical shock, turn off power supply before carrying out any connection or maintenance operations.

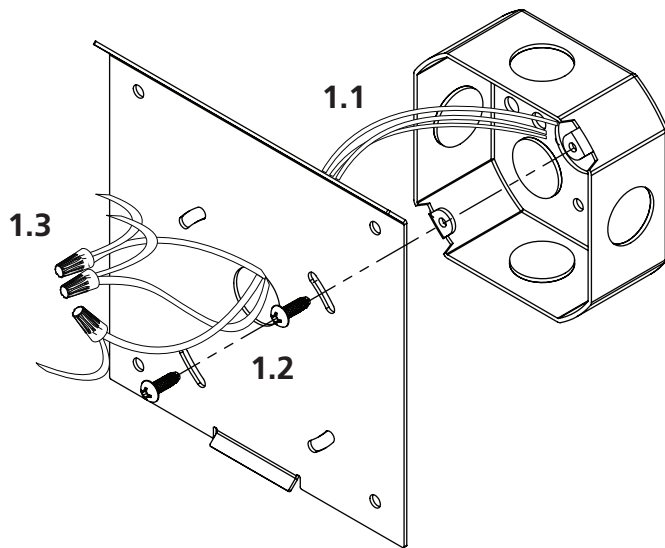
STEP 1

Mounting

1. Pass wire through mounting plate

2. Install mounting plate

3. Make appropriate connections



FOR 0-10V DIM VERSION			
FIXTURE WIRES	CEILING WIRES	FIXTURE WIRES	CEILING WIRES
GREEN	GREEN	PURPLE	0-10V +
BLACK	BLACK	GREY	0-10V +
WHITE	WHITE		

STEP 2

1. Engage fixture body on mounting plate tab

2. Rotate flat to wall

3. Fix the fixture using set screw provided

