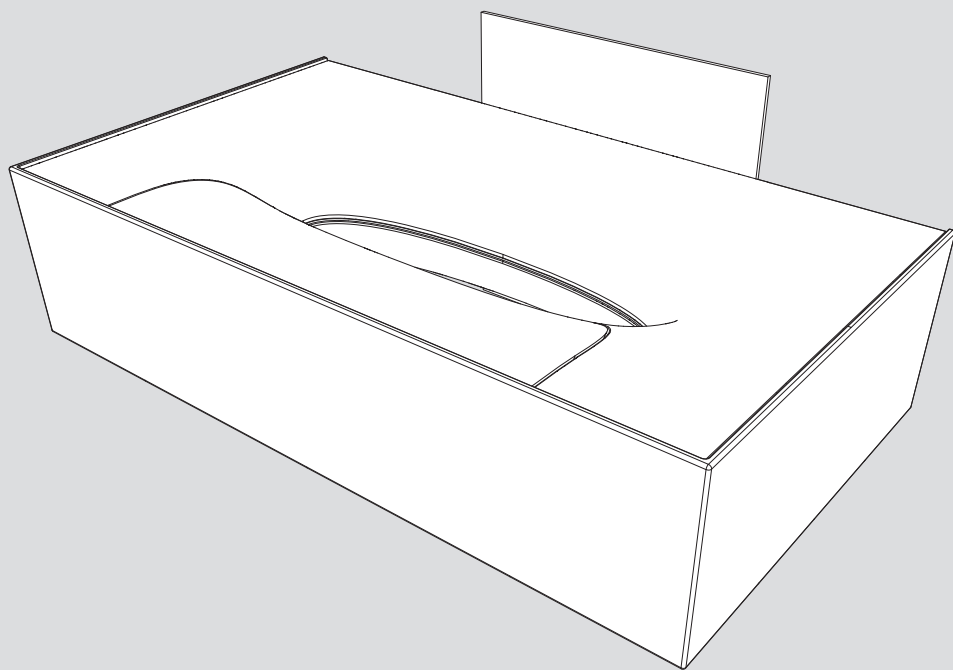


Artemide®

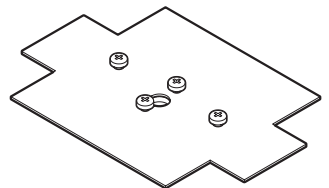
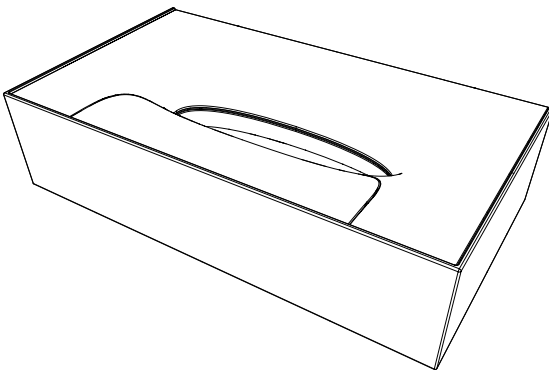
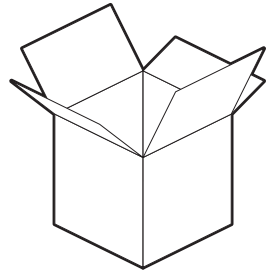
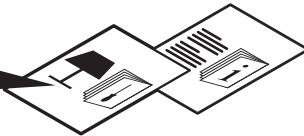
Melete

design
Pio & Tito Toso

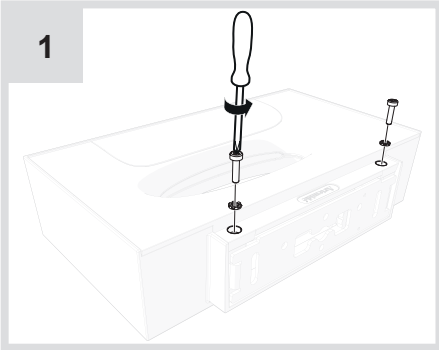




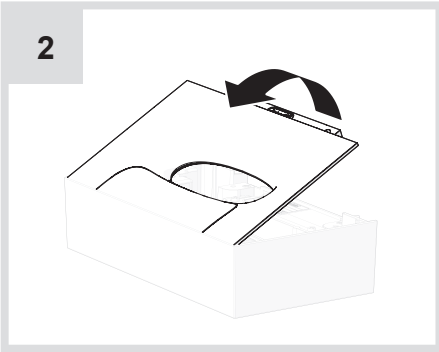
i



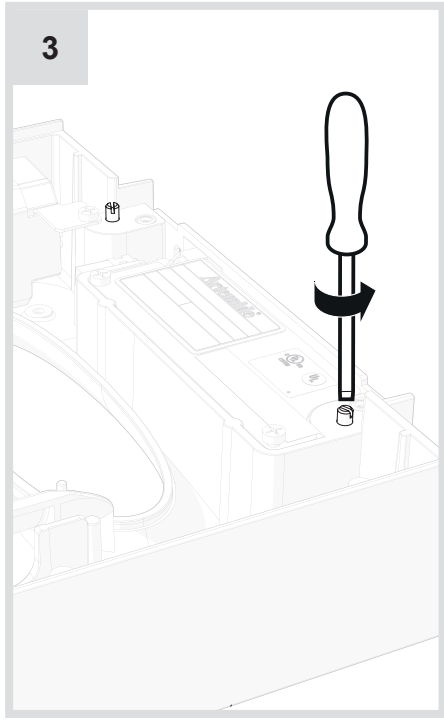
1



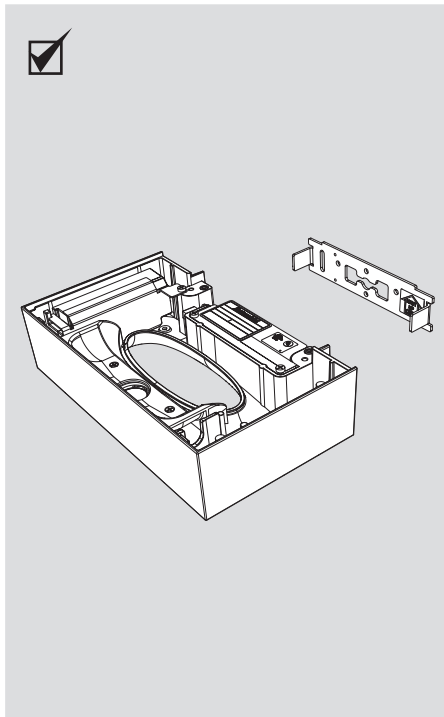
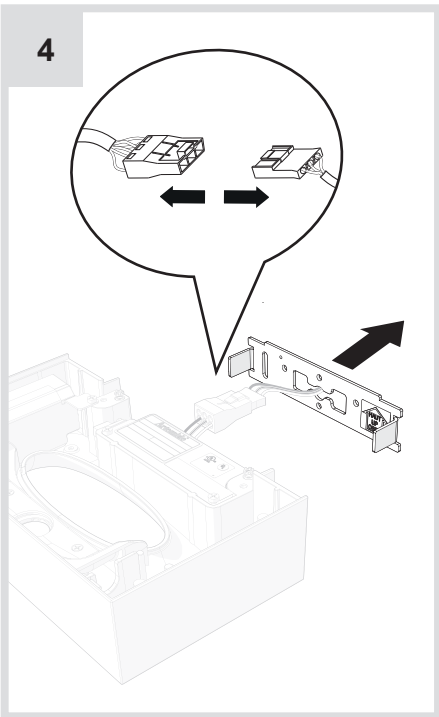
2

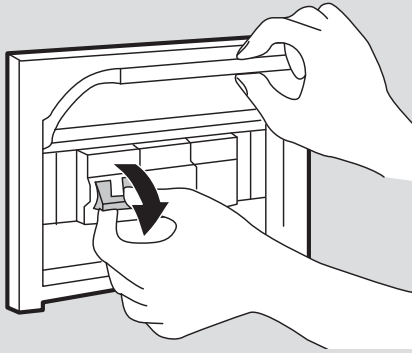


3

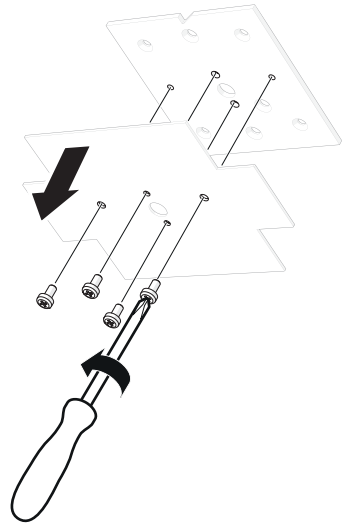


4

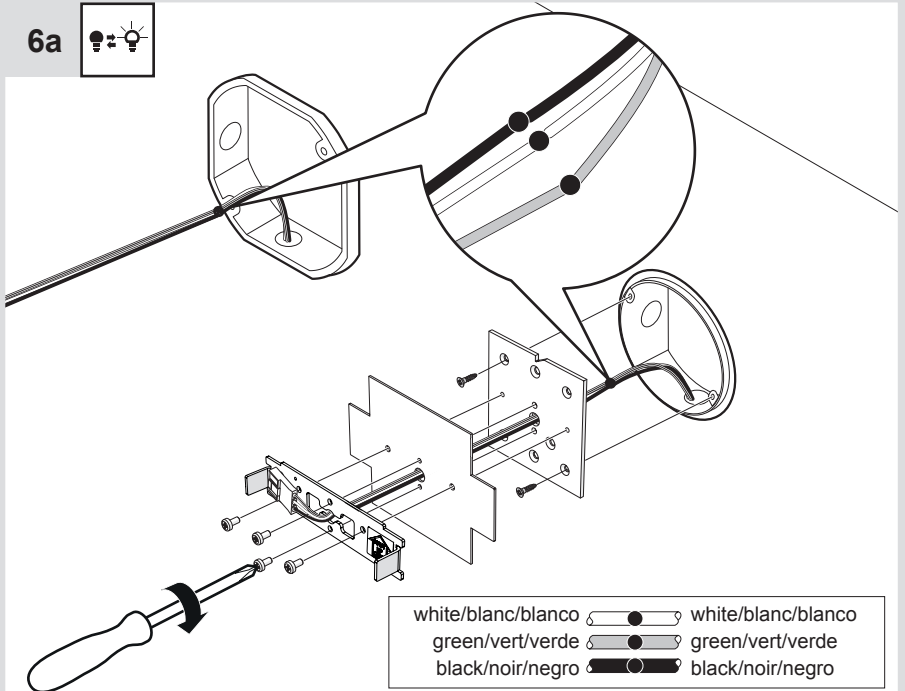




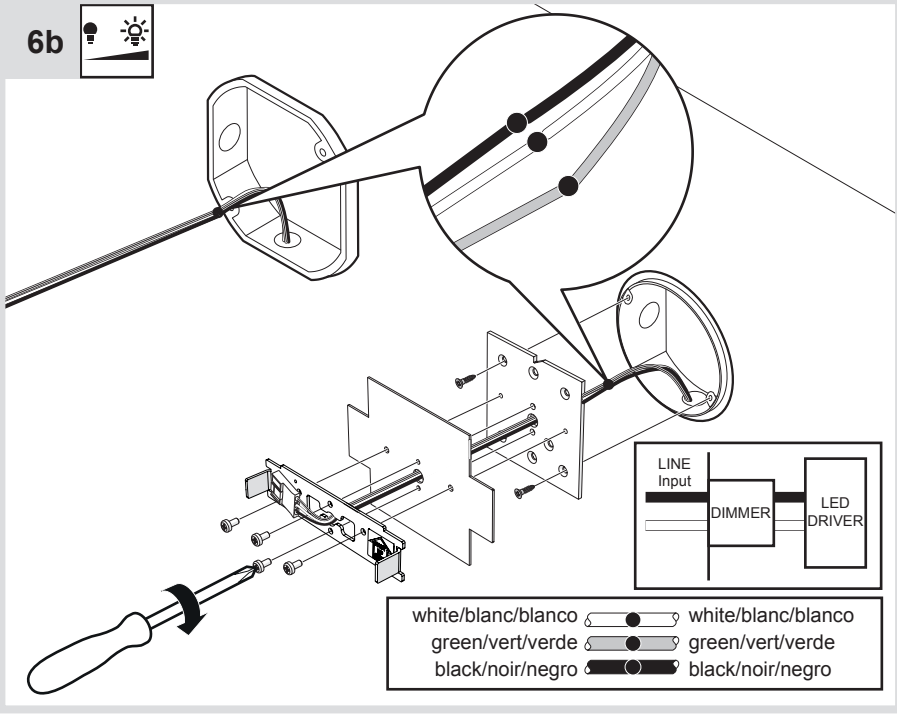
5



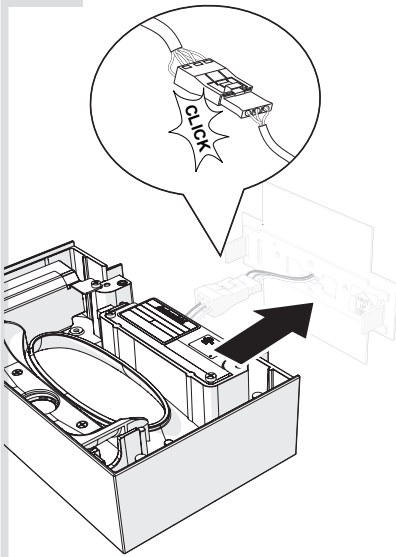
6a



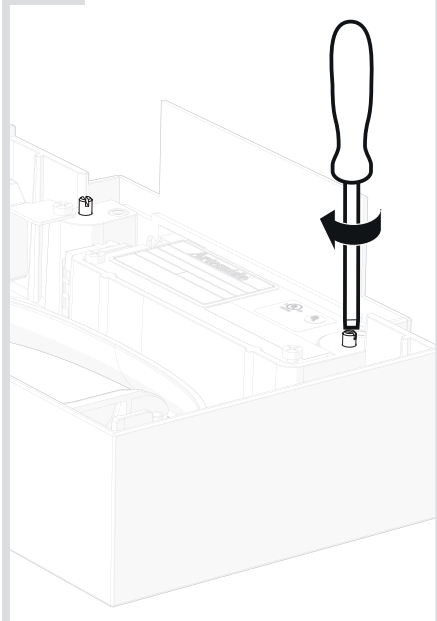
6b



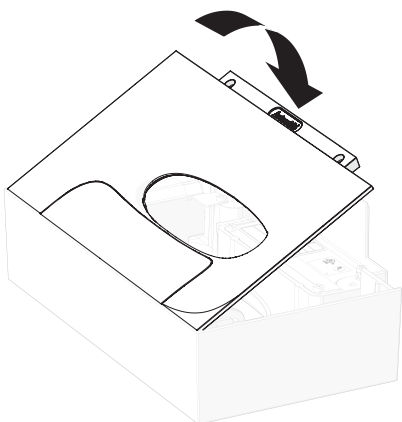
7



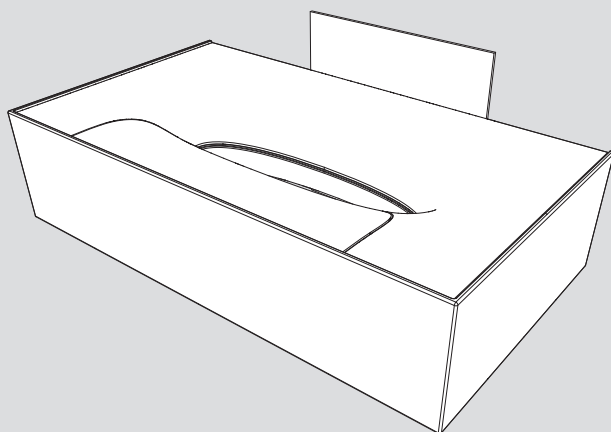
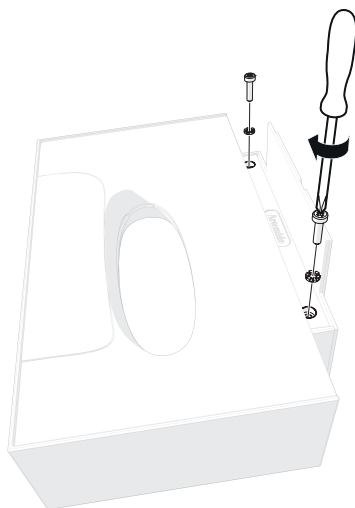
8

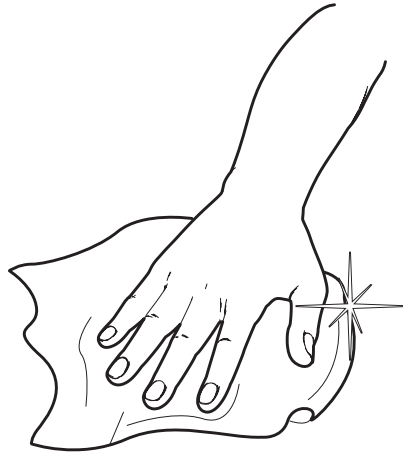
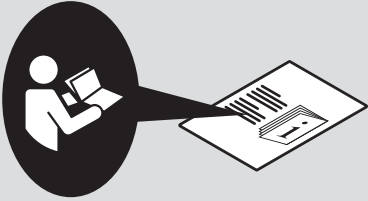


9



10





Artemide®



Artemide

via Bergamo, 18
20010 Pregnana M.se (MI)
ITALIA

tel. +39 02 935 181
fax +39 02 935 90 254
fax +39 02 935 90 496

www.artemide.com

VAT IT00846890150

Artemide Inc.

1980 New Highway
Farmingdale NY 11735

tel. 631 694 9292
toll free 1-877-Art-9111
fax 631 694 9275

www.artemide.us

Artemide Ltée/Ltd.

11105 rue Renaude Lapointe
Montréal, Québec H1J 2T4

tel. 514 323 6537
toll free 888 777 2783
fax 514 323 8864

www.artemide.ca

Artemide Japan K.K.

#1104 Showamachi 2-1-16
Kita ku Tokyo
114-0011 Japan

tel. 03-5692-4677
fax 03-5692-4678

www.artemide.com

cod. Y513000360