

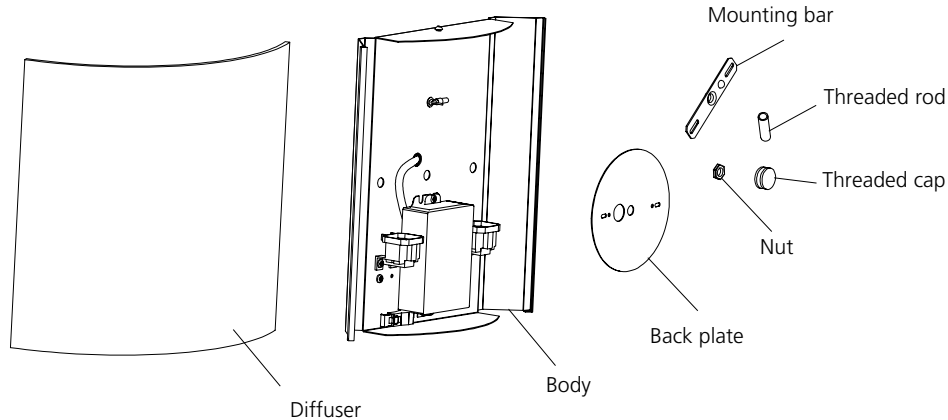


Attention: Read and understand these instructions before installing fixture. This fixture is intended for installation in accordance with National Electric Code and local regulation: To assure full compliance with local codes and regulations, check with your local electrical inspector before installation. This equipment is guaranteed only when used as indicated in these instructions; Therefore they should be kept for future reference. To prevent electrical shock, turn off power supply before carrying out any connection or maintenance operations.

STEP 1

Make sure you have all the elements of the fixture

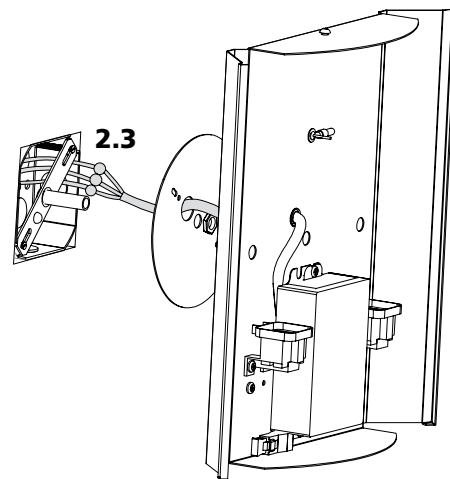
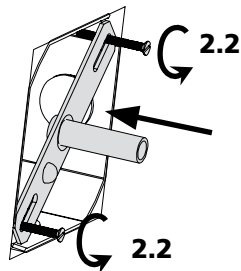
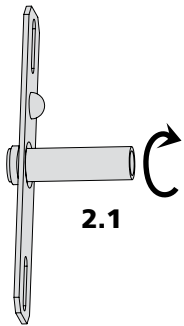
Your box should contain the following parts



STEP 2

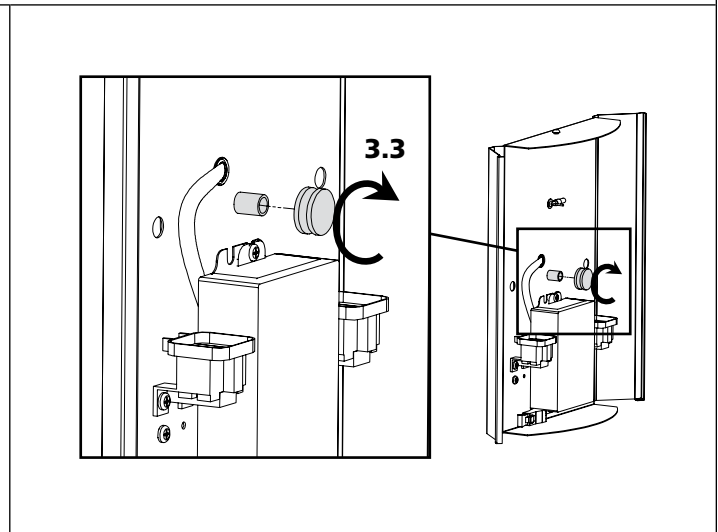
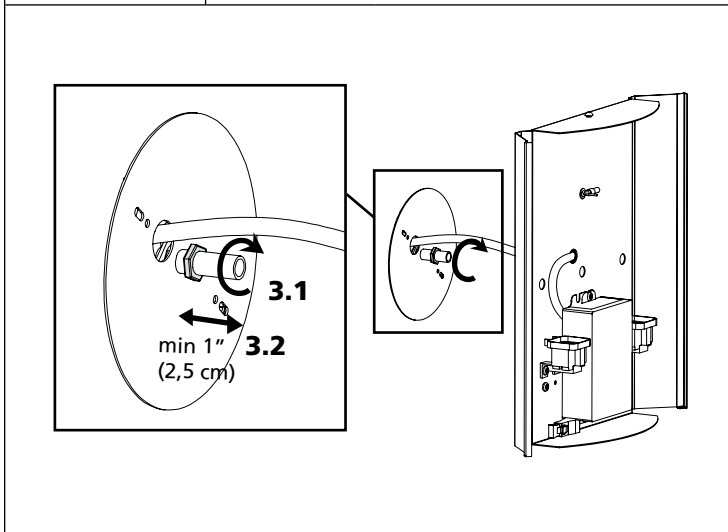
1. Fix the threaded rod to the mounting bar
2. Fix the mounting bar to the J-Box

3. Pass the wire through the backplate and make the appropriate electrical connection





| | | |
|---------------|---|--|
| STEP 3 | Mount the fixture on the wall/ceiling | |
| | <ol style="list-style-type: none"> 1. Fix the backplate to the mounting bar by fastening the nut to the threaded rod 2. Leave only enough threaded rod exposed min 1" (2,5cm) to ensure threaded cap can be screwed down tightly. Adjust exposed threaded rod length if needed. | <ol style="list-style-type: none"> 3. Mount the fixture to the wall by fastening the threaded cap to the threaded rod |



| | | |
|---------------|----------------------|-------------------------|
| STEP 4 | 1. Install the lamps | 2. Install the diffuser |
|---------------|----------------------|-------------------------|

