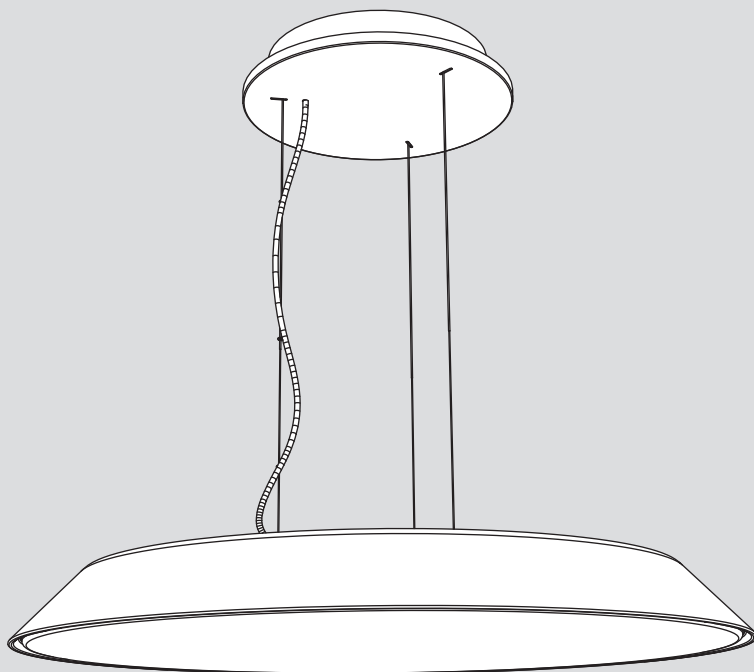


Artemide®

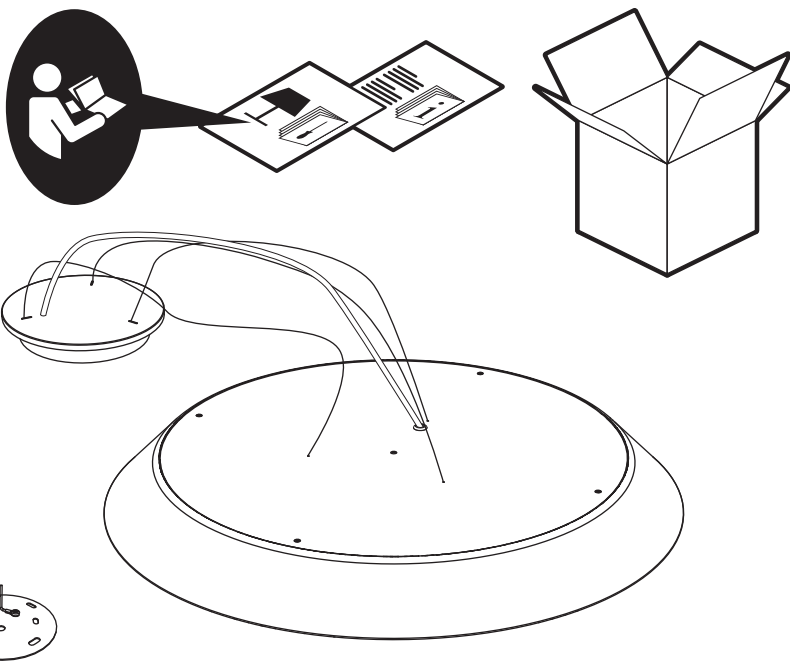
Febe

design
E. Gismondi - D. Moioli

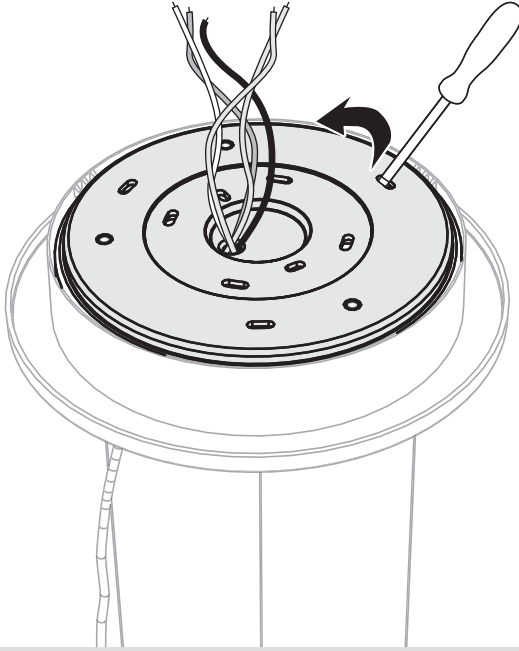




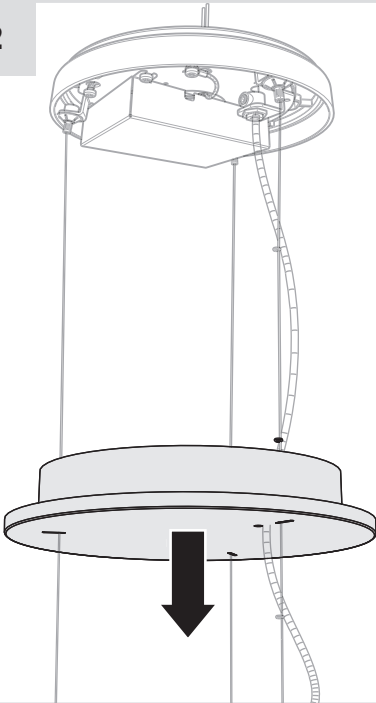
i



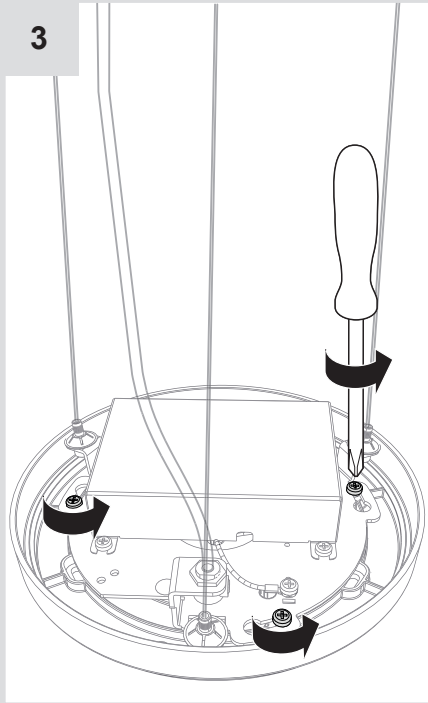
1



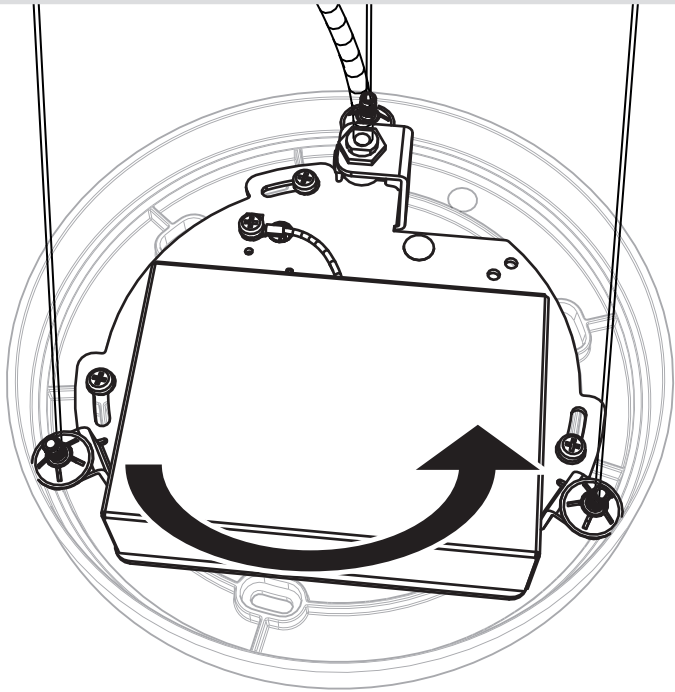
2



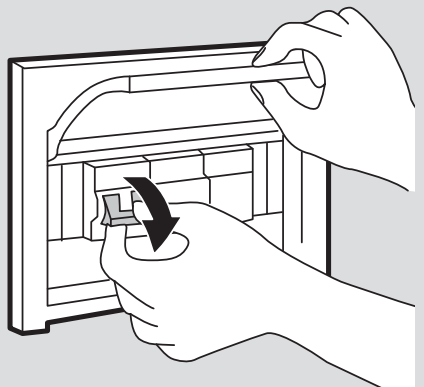
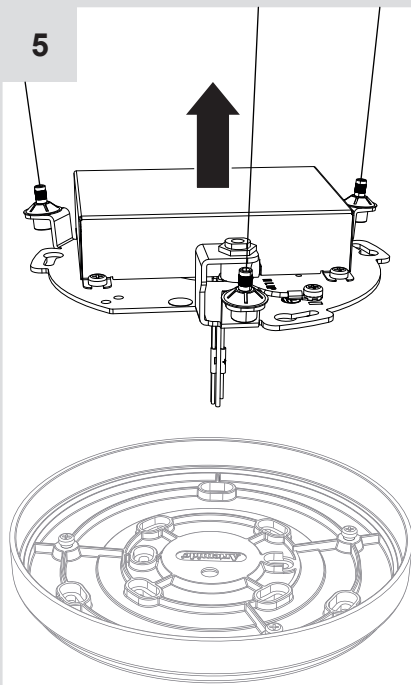
3



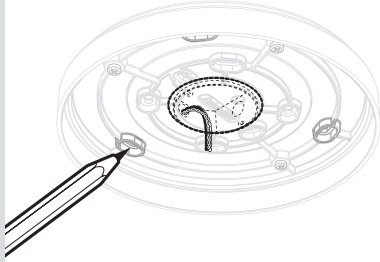
4



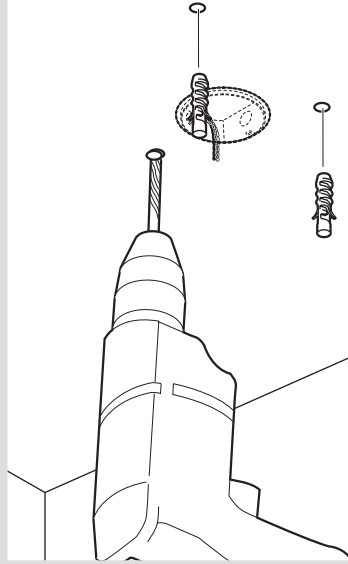
5



6



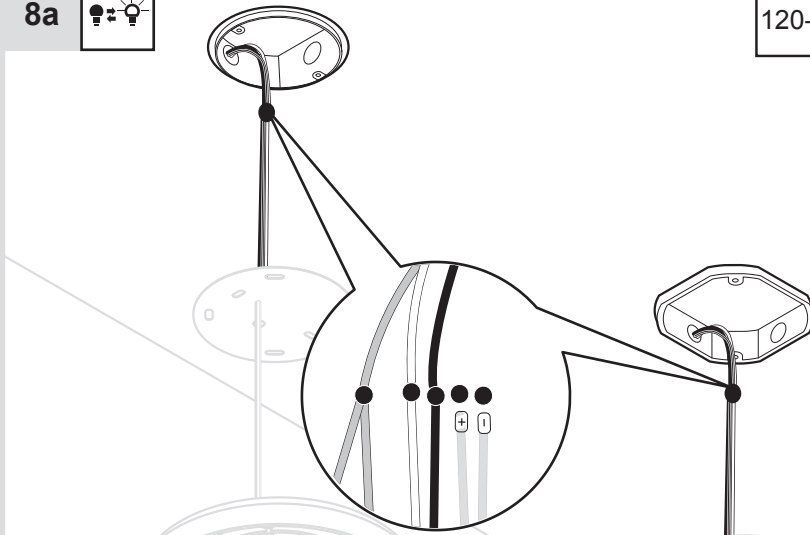
7



8a



120-277 V



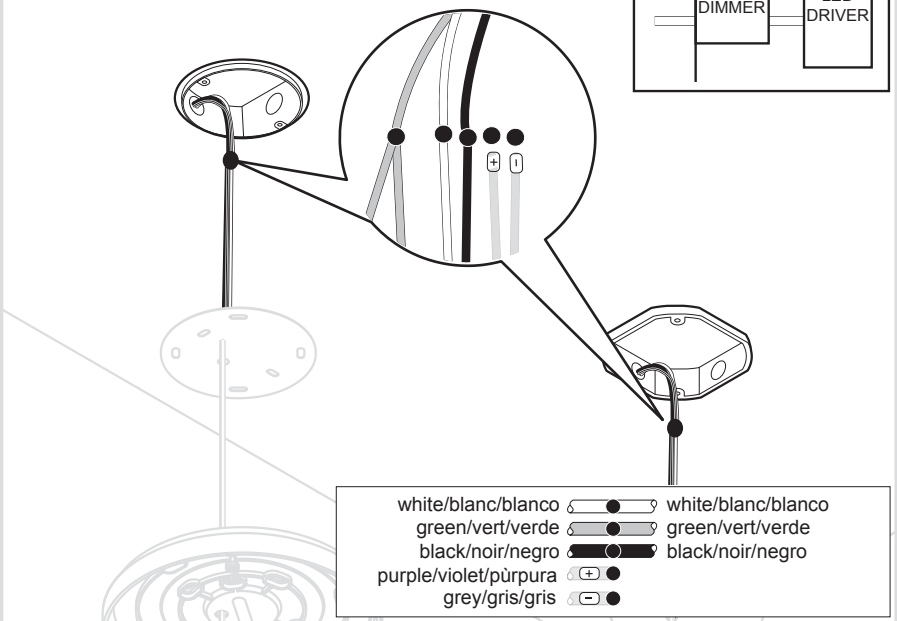
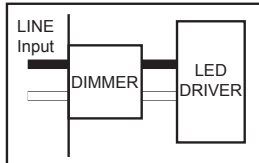
white/blanc/blanco	○ ●	white/blanc/blanco
green/vert/verde	○ ●	green/vert/verde
black/noir/negro	○ ●	black/noir/negro
purple/violet/pùrpura	⊕ ●	
grey/gris/gris	⊖ ●	

8b



120 V

Phase cut
Coupure de phase
Corte de fase



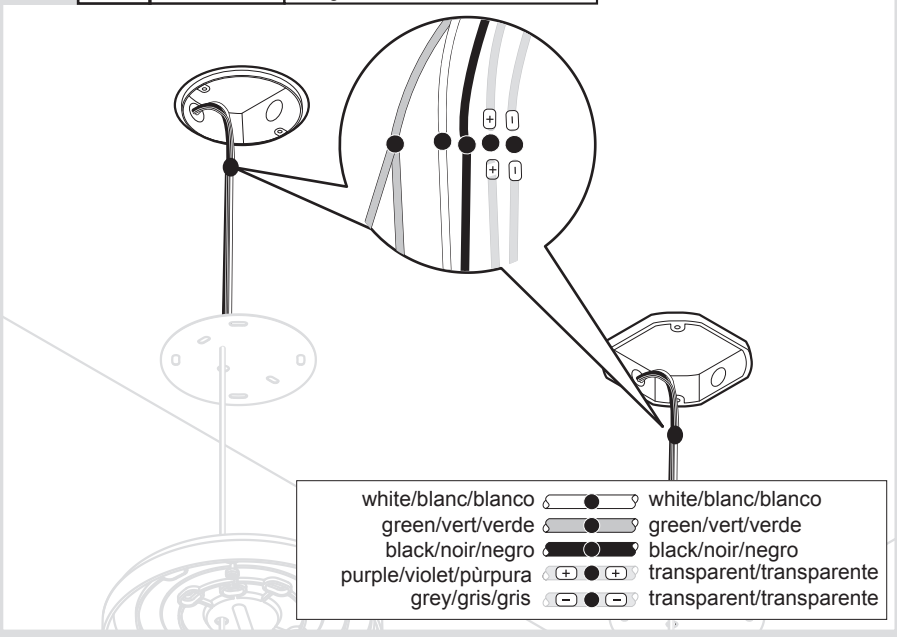
- | | | |
|-----------------------|-------|--------------------|
| white/blanc/blanco | ○ ● ○ | white/blanc/blanco |
| green/vert/verde | △ ● ▽ | green/vert/verde |
| black/noir/negro | ● ○ ● | black/noir/negro |
| purple/violet/pùrpura | ⊕ ● ⊖ | |
| grey/gris/gris | ⊖ ● ⊕ | |

8c



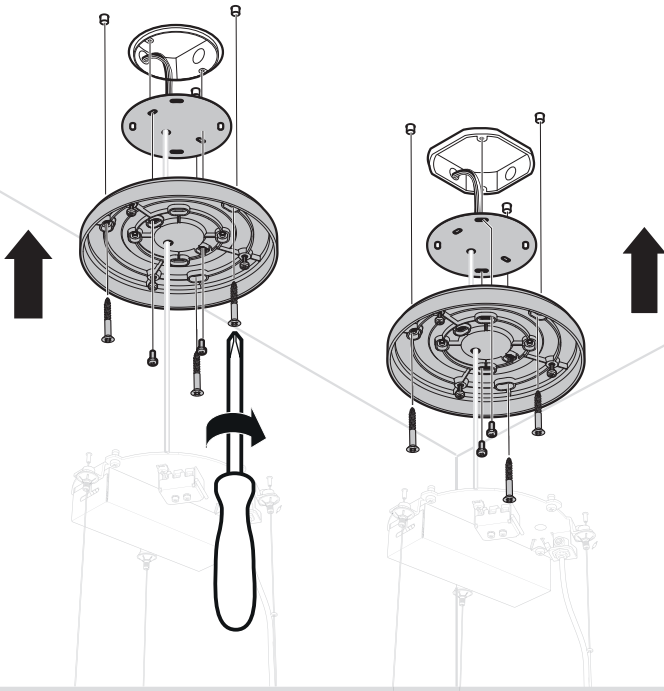
120-277 V

1-10 V dimming control
Dimmable 1-10 V
Regulable mediante control 1-10 V

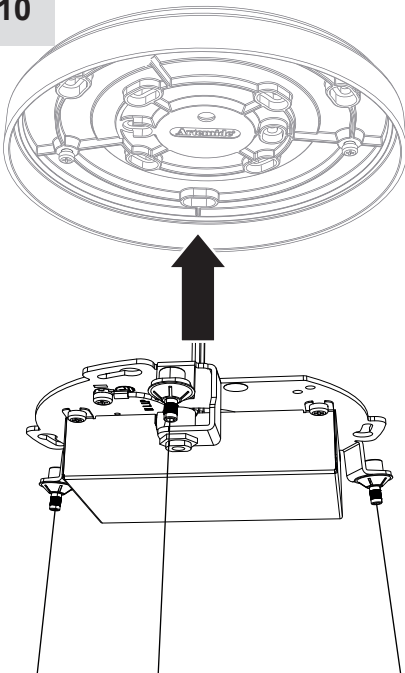


- | | | |
|-----------------------|-------|--------------------------|
| white/blanc/blanco | ○ ● ○ | white/blanc/blanco |
| green/vert/verde | △ ● ▽ | green/vert/verde |
| black/noir/negro | ● ○ ● | black/noir/negro |
| purple/violet/pùrpura | ⊕ ● ⊖ | transparent/transparente |
| grey/gris/gris | ⊖ ● ⊕ | transparent/transparente |

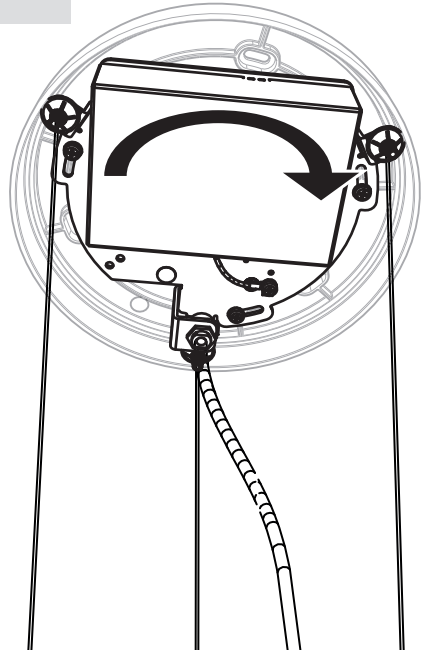
9

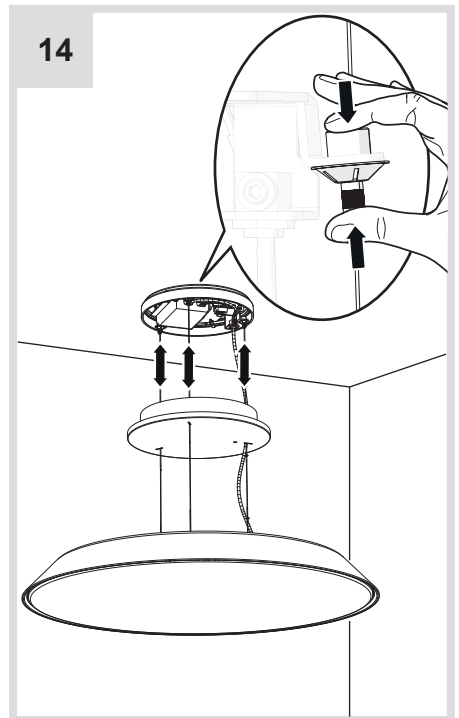
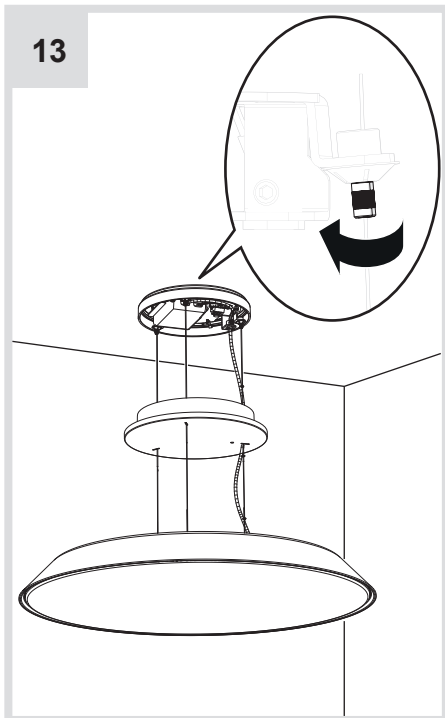
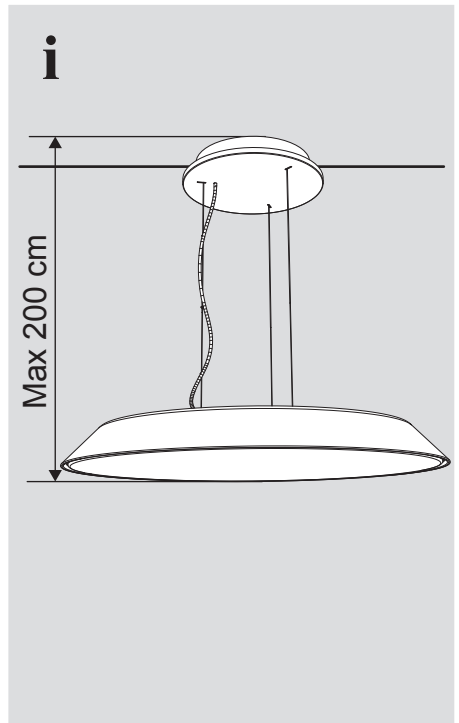
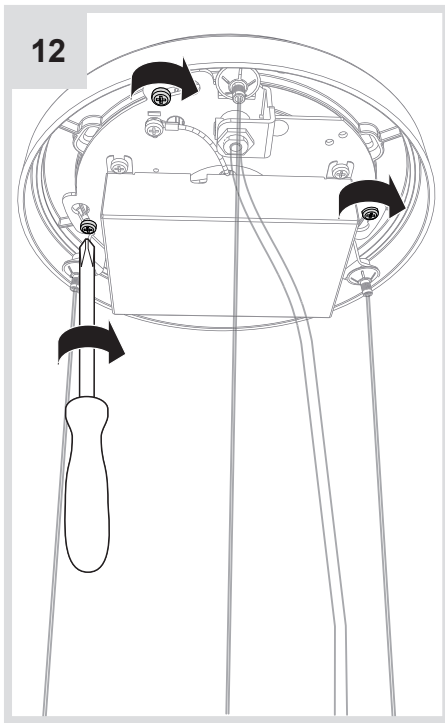


10

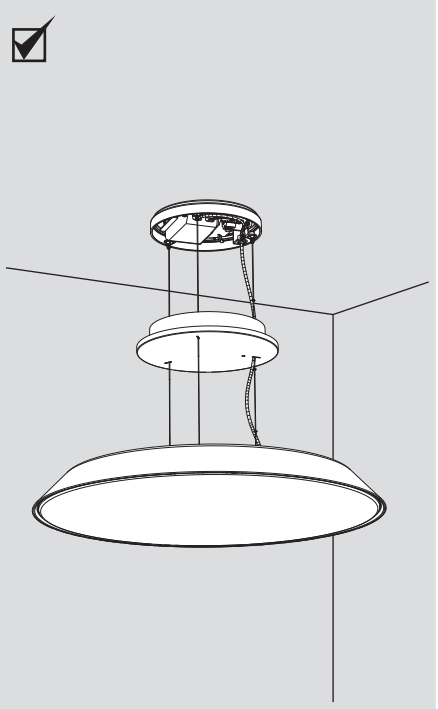
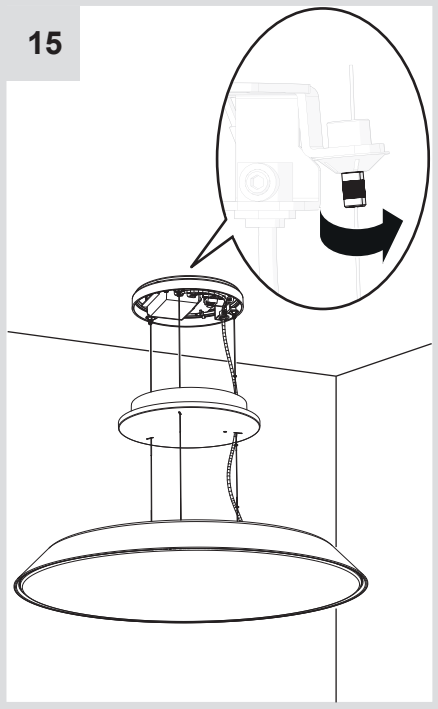


11

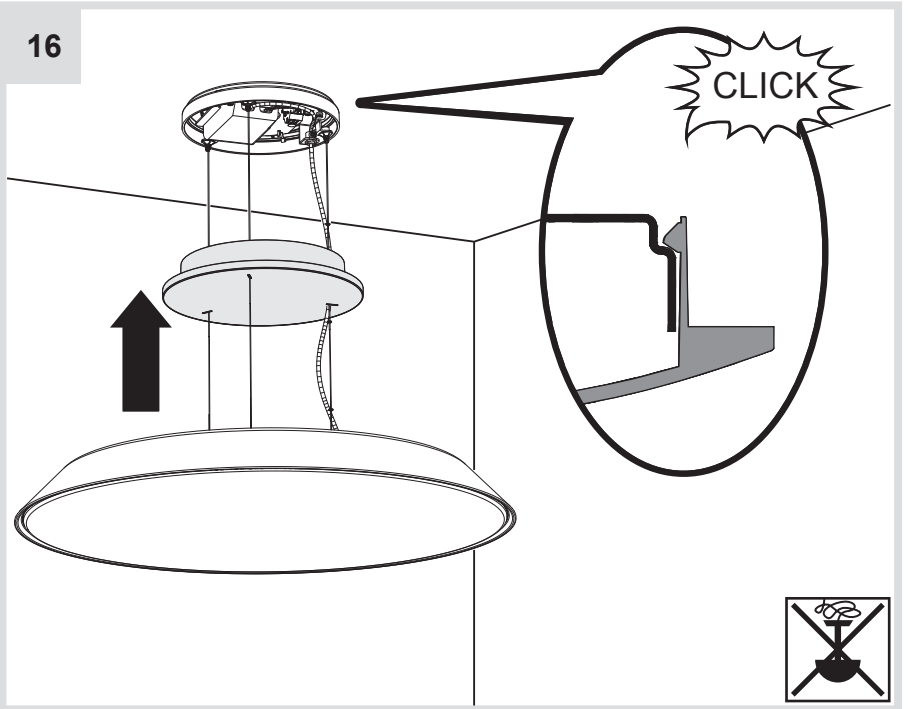


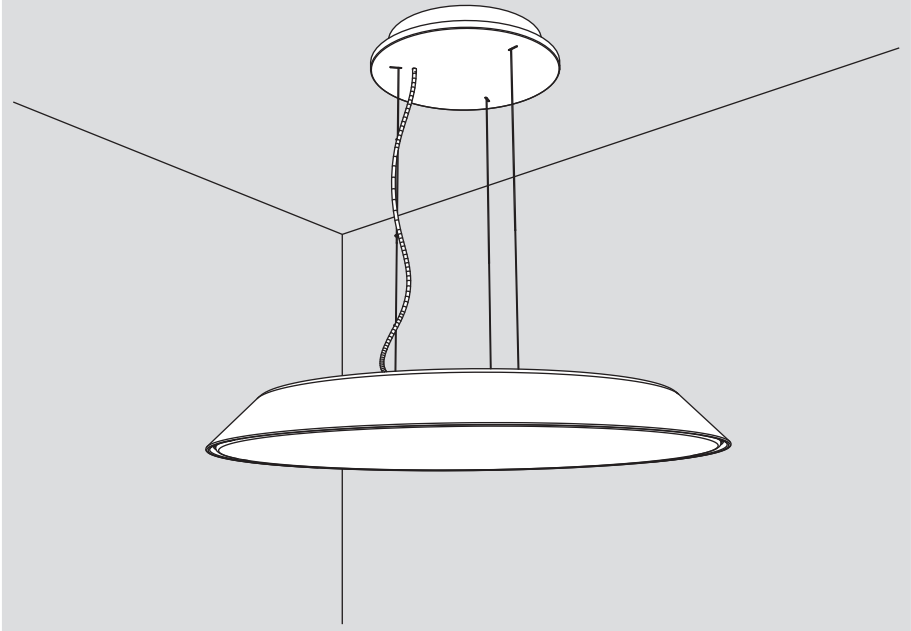


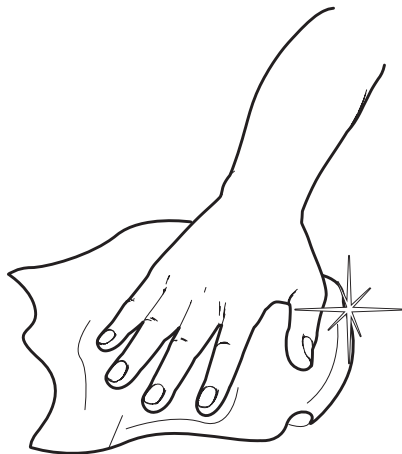
15



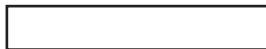
16







Artemide®



Artemide

via Bergamo, 18
20010 Pregnana M.se (MI)
ITALIA

tel. +39 02 935 181
fax +39 02 935 90 254
fax +39 02 935 90 496

www.artemide.com

VAT IT00846890150

Artemide Inc.

250 Karin Lane
Hicksville, NY 11801

Tel. 631 694 9292
Toll Free 1-877-Art-9111
Fax 631 694 9275

www.artemide.net

Artemide Ltée/Ltd.

11105 rue Renaude Lapointe
Montréal, Québec H1J 2T4

Tel. 514 323 6537
Toll Free 888 777 2783
Fax 514 323 8864

www.artemide.net

cod. Y513000932